

MISCELLANEOUS INFORMATION

PERIMETER:	71'6"
SURFACE AREA:	291 SQ FT
VOLUME:	7169 IMP GALS 32619 LITER

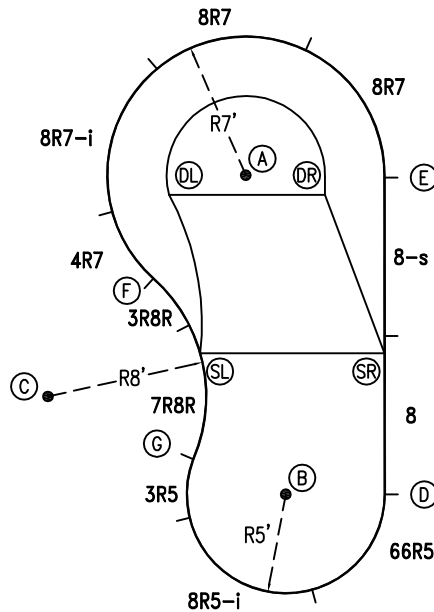
CONCRETE DECK INFO

WIDTH	AREA	NET INCREASES FOR:			
		STEPS	DIVING	SLIDE	ROLLER
2'	155	13	27	24	10
2'6"	198	17	31	20	10
3'	243	20	36	16	10

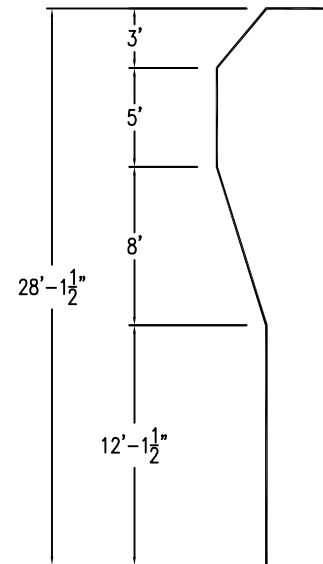
All Figures Represent "Sq Ft"

PARTS LIST

CODE	QTY	DESCRIPTION
3R5	1	3' Plain x 5' Radius
8R5-i	1	8' Return x 5' Radius
66R5	1	6'6" Plain x 5' Radius
8	1	8' Plain
8-s	1	8' Skimmer
8R7	2	8' Plain x 7' Radius
8R7-i	1	8' Return x 7' Radius
4R7	1	4' Plain x 7' Radius
3R8R	1	3' Plain x 8' Reverse Radius
7R8R	1	7' Plain x 8' Reverse Radius
AF	11	A-Frame
S	22	Stakes
NB	66	Nuts & Bolts

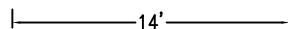


6" WATER LINE

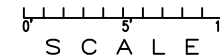


INSTALLATION DATA

From Point "A" to:-		From Point "B" to:-	
B	16'-3"	B	12'-11 3/4"
C	15'-0"	C	5'-0"
D	17'-7"	D	16'-9"
E	7'-0"	E	12'-9 1/2"
F	7'-0"	F	5'-0"
G	14'-7"	G	8'-3 3/4"
SL	9'-3 1/2"	SL	8'-8 1/4"
SR	11'-4 3/4"	SR	16'-2 3/4"
DL	4'-0"	DL	15'-3"
DR	4'-1 1/2"	DR	



*ALL DIMENSIONS ARE FINISHED



NOTICE

SWIMMING POOLS AND ACCESSORIES (INCLUDING DIVING BOARDS) ARE DANGEROUS WHEN IMPROPERLY USED OR INSTALLED. IT IS THE RESPONSIBILITY OF MUNICIPAL OFFICIALS, BUILDERS AND POOL OWNERS TO ADHERE TO ALL SAFETY RECOMMENDATIONS AND STANDARDS ISSUED BY THE POOL & HOT TUB COUNCIL, LOCAL AUTHORITIES AND EQUIPMENT MANUFACTURERS. PLEASE REFER TO DIVING BOARD MANUFACTURERS FOR CORRECT POSITIONING AND INSTALLATION OF DIVING EQUIPMENT.

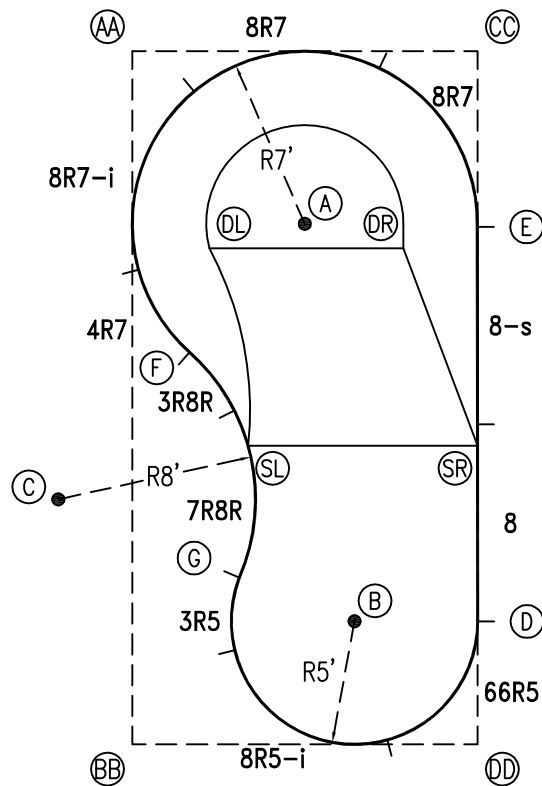
HIGHBURY POOLS LTD

KIDNEY-STRAIGHT BACK - LEFT 14 x 14 x 28

DRAWING REFERENCE #
16-14-28-1

DRAWN BY: JK
REV. 26 JUN 13
SHEET 1 OF 2

PERIMETER: 71'6"



EXTERNAL INSTALLATION DATA

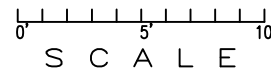
AA TO:	BB TO:	CC TO:	DD TO:
AA --	AA 28'-1 1/2"	AA 14'-0"	AA 31'-5"
BB --	BB --	BB 31'-5"	BB 14'-0"
CC --	CC --	CC --	CC 28'-1 1/2"
A 9'-10 3/4"	A 22'-3"	A 9'-10 3/4"	A 22'-3"
B 24'-9 3/4"	B 10'-3 3/4"	B 23'-7 3/4"	B 7'-0 3/4"
C 18'-5"	C 10'-4 1/2"	C 24'-10 3/4"	C 19'-8 1/2"
D 27'-0 1/2"	D 14'-10 1/2"	D 23'-1 1/2"	D 4'-11 3/4"
E 15'-8 1/2"	E 25'-2 3/4"	E 7'-1 1/2"	E 20'-11 3/4"
F 12'-5 1/4"	F 16'-0 3/4"	F 16'-10 3/4"	F 19'-8 3/4"
G 21'-9 1/2"	G 8'-0 1/2"	G 23'-5 1/4"	G 11'-9 1/2"
SL 16'-8"	SL 13'-0"	SL 18'-6"	SL 15'-3 1/2"
SR 21'-3"	SR 18'-6 1/4"	SR 16'-0"	SR 12'-1 1/2"
DL 8'-7"	DL 20'-4 1/4"	DL 13'-6"	DL 22'-10 1/2"
DR 13'-7 1/4"	DR 22'-11"	DR 8'-6 1/2"	DR 20'-4"

DIAGONALS

From Point "D" to:-		From Point "E" to:-	
E	16'-0"	E	
F	15'-11 7/8"	F	12'-8 3/4"
G	9'-9 7/8"	G	17'-2 3/8"

NOTICE

SWIMMING POOLS AND ACCESSORIES (INCLUDING DIVING BOARDS) ARE DANGEROUS WHEN IMPROPERLY USED OR INSTALLED. IT IS THE RESPONSIBILITY OF MUNICIPAL OFFICIALS, BUILDERS AND POOL OWNERS TO ADHERE TO ALL SAFETY RECOMMENDATIONS AND STANDARDS ISSUED BY THE POOL & HOT TUB COUNCIL, LOCAL AUTHORITIES AND EQUIPMENT MANUFACTURERS. PLEASE REFER TO DIVING BOARD MANUFACTURERS FOR CORRECT POSITIONING AND INSTALLATION OF DIVING EQUIPMENT.



HIGHBURY POOLS LTD

KIDNEY-STRAIGHT BACK-LEFT 14 x 14 x 28

DRAWING REFERENCE #
16-14-28-1

DRAWN BY:JK
REV. 26 JUN 13
SHEET 2 OF 2