

MISCELLANEOUS INFORMATION

PERIMETER:-	73'
SURFACE AREA:	343.7 SQ FT
VOLUME:	8961 IMP GALS 40735 L

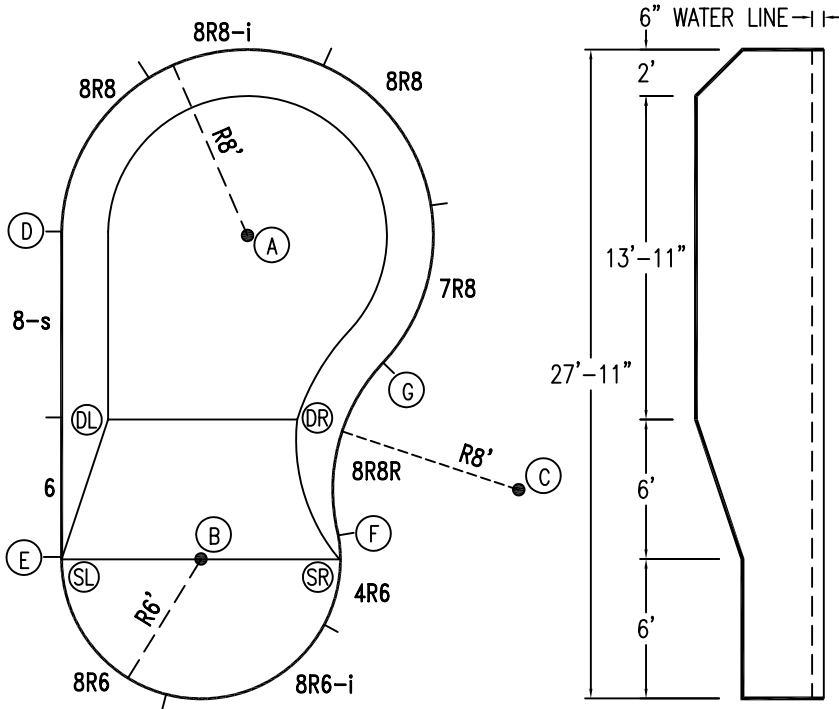
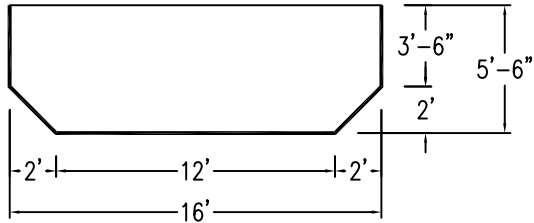
CONCRETE DECK INFO

WIDTH	AREA	NET INCREASES FOR:			
		STEPS	DIVING	SLIDE	ROLLER
2'	160	13	27	24	10
2'6"	203	17	31	20	10
3'	249	20	36	16	10

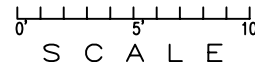
All Figures Represent "Sq Ft"

PARTS LIST

CODE	QTY	DESCRIPTION
8-s	1	8'Skimmer
8R8-i	1	8'Return x 8'Radius
8R6-i	1	8'Return x 6'Radius
6	1	6' Panel
8R8	2	8' Panel x 8' Radius
7R8	1	7' Panel x 8' Radius
8R6	1	8' Panel x 6' Radius
4R6	1	4' Panel x 6' Radius
8R8R	1	8' Panel x 8'Reverse Rad
AF	10	A-Frame
S	20	Stake
NB	60	Nuts & Bolts



*ALL DIMENSIONS ARE FINISHED



INSTALLATION DATA

From Point "A" to:-		From Point "B" to:-	
B	14'-1"	B	
C	16'-0"	C	13'-11 7/8"
D	8'-0"	D	15'-3 7/8"
E	15'-11 3/4"	E	6'-0"
F	13'-5 3/4"	F	6'-0"
G	8'-0"	G	11'-6 3/8"
SR	14'-6"	SR	6'-0"
SL	16'-0 7/8"	SL	6'-0"
DR	8'-2 1/2"	DR	7'-3 5/8"
DL	9'-11 1/4"	DL	7'-2 3/4"

NOTICE

SWIMMING POOLS AND ACCESSORIES (INCLUDING DIVING BOARDS) ARE DANGEROUS WHEN IMPROPERLY USED OR INSTALLED. IT IS THE RESPONSIBILITY OF MUNICIPAL OFFICIALS, BUILDERS AND POOL OWNERS TO ADHERE TO ALL SAFETY RECOMMENDATIONS AND STANDARDS ISSUED BY THE POOL & HOT TUB COUNCIL, LOCAL AUTHORITIES AND EQUIPMENT MANUFACTURERS. PLEASE REFER TO DIVING BOARD MANUFACTURERS FOR CORRECT POSITIONING AND INSTALLATION OF DIVING EQUIPMENT.

