

**MISCELLANEOUS INFORMATION**

PERIMETER:	78'
SURFACE AREA:	368 SQ FT
VOLUME:	12249 IMP GALS 55733 LITER

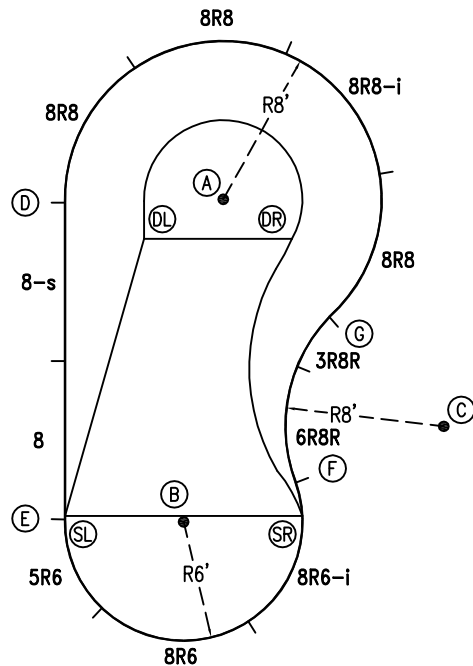
**CONCRETE DECK INFO**

WIDTH	AREA	NET INCREASES FOR:			
		STEPS	DIVING	SLIDE	ROLLER
2'	169	13	27	24	10
2'6"	215	17	31	20	10
3'	263	20	36	16	10

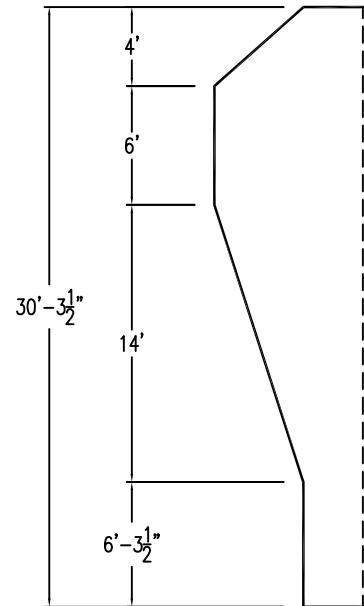
All Figures Represent "Sq Ft"

**PARTS LIST**

CODE	QTY	DESCRIPTION
8R6-i	1	8' Return x 6' Radius
8R6	1	8' Plain x 6' Radius
5R6	1	5' Plain x 6' Radius
8	1	8' Plain
8-s	1	8' Skimmer
8R8	3	8' Plain x 8' Radius
8R8-i	1	8' Return x 8' Radius
3R8R	1	3' Plain x 8' Reverse Radius
6R8R	1	6' Plain x 8' Reverse Radius
AF	11	A-Frame
S	22	Stakes
NB	66	Nuts & Bolts



6" WATER LINE

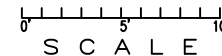


**INSTALLATION DATA**

From Point "A" to:-		From Point "B" to:-	
B	16'-4 3/4"	B	14'-0"
C	15'-11 3/4"	C	14'-0"
D	8'-0"	D	17'-2 1/2"
E	18'-0 1/2"	E	6'-0"
F	14'-9 1/4"	F	6'-0"
G	8'-0"	G	12'-8 1/4"
SL	17'-10 1/2"	SL	6'-0"
SR	16'-5 3/4"	SR	6'-0"
DL	4'-5 1/2"	DL	14'-5 1/4"
DR	4'-0"	DR	15'-3 1/2"

16'

\*ALL DIMENSIONS ARE FINISHED



**NOTICE**

SWIMMING POOLS AND ACCESSORIES (INCLUDING DIVING BOARDS) ARE DANGEROUS WHEN IMPROPERLY USED OR INSTALLED. IT IS THE RESPONSIBILITY OF MUNICIPAL OFFICIALS, BUILDERS AND POOL OWNERS TO ADHERE TO ALL SAFETY RECOMMENDATIONS AND STANDARDS ISSUED BY THE POOL & HOT TUB COUNCIL, LOCAL AUTHORITIES AND EQUIPMENT MANUFACTURERS. PLEASE REFER TO DIVING BOARD MANUFACTURERS FOR CORRECT POSITIONING AND INSTALLATION OF DIVING EQUIPMENT.

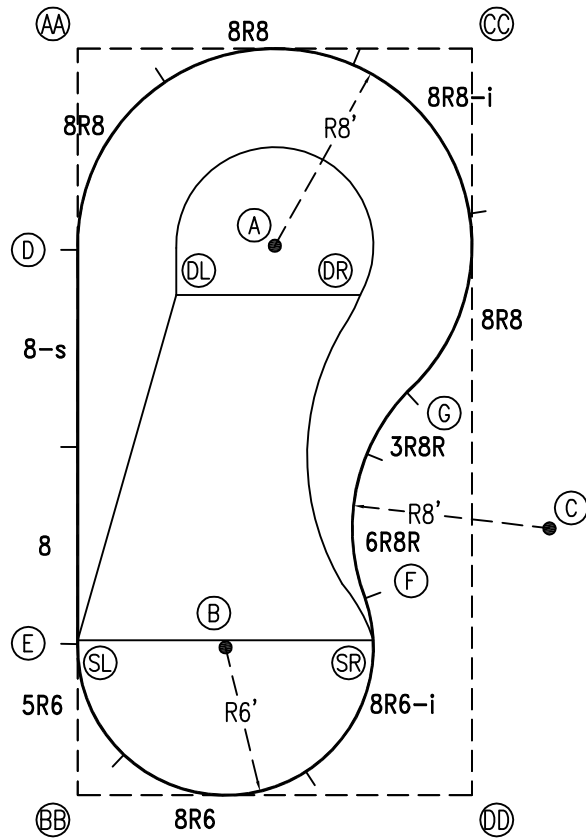
**HIGHBURY POOLS LTD**

KIDNEY-STRAIGHT BACK - RIGHT 16 x 16 x 30

DRAWING REFERENCE #  
16-16-30-2

DRAWN BY: JK  
REV. 19 AUG 13  
SHEET 1 OF 2

PERIMETER: 78'



EXTERNAL INSTALLATION DATA

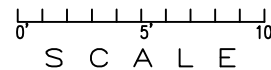
AA TO:	BB TO:	CC TO:	DD TO:
AA --	AA 30'-3 1/2"	AA 16'-0"	AA 34'-3"
BB --	BB --	BB 34'-3"	BB 16'-0"
CC --	CC --	CC --	CC 30'-3 1/2"
A 11'-3 3/4"	A 23'-8 1/4"	A 11'-3 3/4"	A 23'-8 1/4"
B 25'-0 1/4"	B 8'-5 3/4"	B 26'-3 1/4"	B 11'-7 3/4"
C 27'-3 1/2"	C 21'-11 3/4"	C 19'-8 1/2"	C 11'-3 1/4"
D 8'-2"	D 22'-1 1/2"	D 17'-11 1/2"	D 27'-3 1/2"
E 24'-2"	E 6'-1 1/2"	E 28'-11 3/4"	E 17'-1 1/2"
F 25'-2"	F 14'-1 1/2"	F 22'-8 3/4"	F 9'-1"
G 19'-3 3/4"	G 21'-1 1/4"	G 14'-2 1/4"	G 16'-6 3/4"
SL 24'-0"	SL 6'-3 1/2"	SL 28'-10"	SL 17'-2 1/4"
SR 26'-9 3/4"	SR 13'-6 1/2"	SR 24'-3 3/4"	SR 7'-5 1/2"
DL 10'-9 1/4"	DL 20'-8 1/4"	DL 15'-7 1/4"	DL 23'-6 3/4"
DR 15'-2 1/2"	DR 23'-3 3/4"	DR 10'-11 3/4"	DR 20'-9 1/2"

DIAGONALS

From Point "D" to:-	From Point "E" to:-
E 16'-0"	E 16'-0"
F 18'-3 7/8"	F 11'-9 3/4"
G 14'-6 5/8"	G 16'-9 7/8"

NOTICE

SWIMMING POOLS AND ACCESSORIES (INCLUDING DIVING BOARDS) ARE DANGEROUS WHEN IMPROPERLY USED OR INSTALLED. IT IS THE RESPONSIBILITY OF MUNICIPAL OFFICIALS, BUILDERS AND POOL OWNERS TO ADHERE TO ALL SAFETY RECOMMENDATIONS AND STANDARDS ISSUED BY THE POOL & HOT TUB COUNCIL, LOCAL AUTHORITIES AND EQUIPMENT MANUFACTURERS. PLEASE REFER TO DIVING BOARD MANUFACTURERS FOR CORRECT POSITIONING AND INSTALLATION OF DIVING EQUIPMENT.



HIGHBURY POOLS LTD

KIDNEY-STRAIGHT BACK - RIGHT 16 x 30

DRAWING REFERENCE #  
16-16-30-2

DRAWN BY: JK  
REV. 19 AUG 13  
SHEET 2 OF 2