

MISCELLANEOUS INFORMATION

PERIMETER:	81'6"
SURFACE AREA:	383 SQ FT
VOLUME:	12529 IMP GALS 57007 LITER

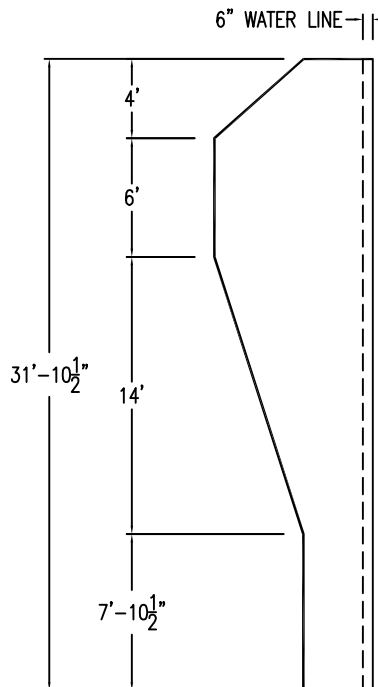
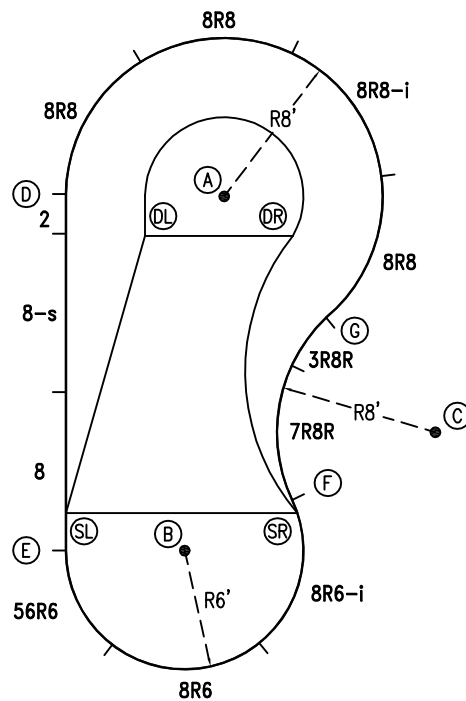
CONCRETE DECK INFO

WIDTH	AREA	NET INCREASES FOR:			
		STEPS	DIVING	SLIDE	ROLLER
2'	176	13	27	24	10
2'6"	224	17	31	20	10
3'	273	20	36	16	10

All Figures Represent "Sq Ft"

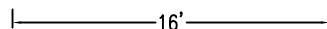
PARTS LIST

CODE	QTY	DESCRIPTION
8R6-i	1	8' Return x 6' Radius
8R6	1	8' Plain x 6' Radius
56R6	1	5'6" Plain x 6' Radius
8	1	8' Plain
8-s	1	8' Skimmer
2	1	2' Plain
8R8	3	8' Plain x 8' Radius
8R8-i	1	8' Return x 8' Radius
3R8R	1	3' Plain x 8' Reverse Radius
7R8R	1	7' Plain x 8' Reverse Radius
AF	12	A-Frame
S	24	Stakes
NB	72	Nuts & Bolts

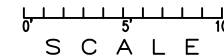


INSTALLATION DATA

From Point "A" to:-		From Point "B" to:-	
B	18'-0"	B	14'-0"
C	15'-11 3/4"	C	18'-11 3/4"
D	8'-0"	D	6'-0"
E	19'-7"	E	6'-0"
F	15'-8 1/2"	F	13'-9"
G	8'-0"	G	6'-3 1/2"
SL	17'-10 1/2"	SR	6'-0"
SR	16'-5"	DL	16'-0 1/4"
DL	4'-5 1/2"	DR	16'-9 1/2"
DR	4'-0"		



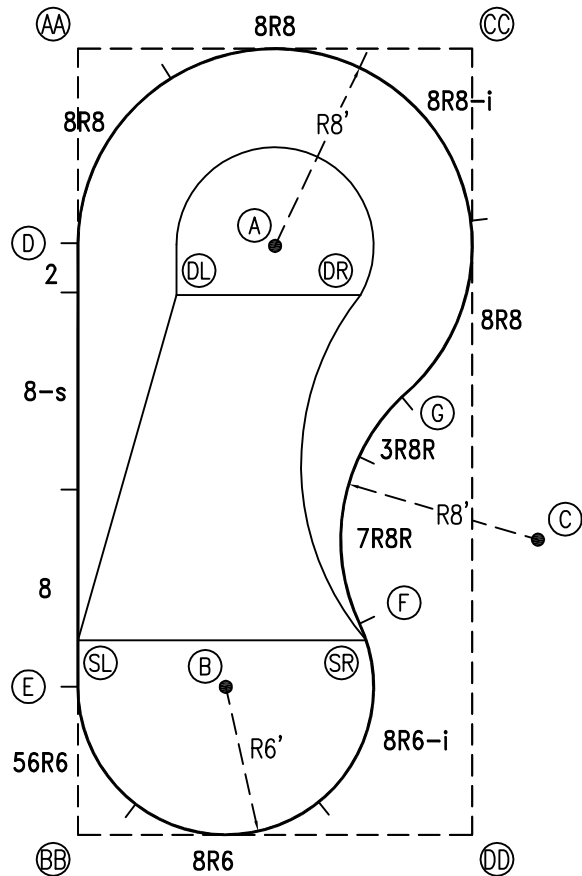
*ALL DIMENSIONS ARE FINISHED



NOTICE

SWIMMING POOLS AND ACCESSORIES (INCLUDING DIVING BOARDS) ARE DANGEROUS WHEN IMPROPERLY USED OR INSTALLED. IT IS THE RESPONSIBILITY OF MUNICIPAL OFFICIALS, BUILDERS AND POOL OWNERS TO ADHERE TO ALL SAFETY RECOMMENDATIONS AND STANDARDS ISSUED BY THE POOL & HOT TUB COUNCIL, LOCAL AUTHORITIES AND EQUIPMENT MANUFACTURERS. PLEASE REFER TO DIVING BOARD MANUFACTURERS FOR CORRECT POSITIONING AND INSTALLATION OF DIVING EQUIPMENT.

PERIMETER: 81'6"



EXTERNAL INSTALLATION DATA

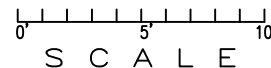
AA TO:	BB TO:	CC TO:	DD TO:
AA ---	AA 31'-10 3/4"	AA 16'-0"	AA 35'-8"
BB ---	BB ---	BB 35'-8"	BB 16'-0"
CC ---	CC ---	CC ---	CC 31'-10 3/4"
A 11'-3 3/4"	A 25'-2 1/4"	A 11'-3 3/4"	A 25'-2 1/4"
B 26'-6 3/4"	B 8'-5 3/4"	B 27'-9"	B 11'-7 3/4"
C 27'-3 1/2"	C 22'-2"	C 20'-1"	C 12'-3"
D 7'-10 1/2"	D 24'-0"	D 17'-10"	D 28'-10"
E 25'-10 1/2"	E 6'-0"	E 30'-5"	E 17'-1"
F 25'-11 3/4"	F 14'-3 1/4"	F 23'-9 1/4"	F 9'-8 1/2"
G 19'-3 1/2"	G 22'-1"	G 14'-4 3/4"	G 17'-11 3/4"
SL 24'-0"	SL 7'-10 3/4"	SL 28'-10"	SL 17'-10"
SR 26'-8 1/4"	SR 14'-1 1/4"	SR 24'-4 1/2"	SR 8'-11 3/4"
DL 10'-9 1/4"	DL 22'-3"	DL 15'-7 1/2"	DL 24'-11 1/2"
DR 15'-2 1/2"	DR 24'-8 1/2"	DR 10'-11 3/4"	DR 22'-4 1/4"

DIAGONALS

From Point "D" to:-	From Point "E" to:-
E 18'-0 1/8"	E
F 19'-2 1/2"	F 11'-8 1/2"
G 14'-6 5/8"	G 17'-7 5/8"

NOTICE

SWIMMING POOLS AND ACCESSORIES (INCLUDING DIVING BOARDS) ARE DANGEROUS WHEN IMPROPERLY USED OR INSTALLED. IT IS THE RESPONSIBILITY OF MUNICIPAL OFFICIALS, BUILDERS AND POOL OWNERS TO ADHERE TO ALL SAFETY RECOMMENDATIONS AND STANDARDS ISSUED BY THE POOL & HOT TUB COUNCIL, LOCAL AUTHORITIES AND EQUIPMENT MANUFACTURERS. PLEASE REFER TO DIVING BOARD MANUFACTURERS FOR CORRECT POSITIONING AND INSTALLATION OF DIVING EQUIPMENT.



HIGHBURY POOLS LTD

KIDNEY-STRAIGHT BACK-RIGHT 16 x 16 x 32

DRAWING REFERENCE #
16-16-32-2

DRAWN BY: JK
REV. 27 JUN 13
SHEET 2 OF 2