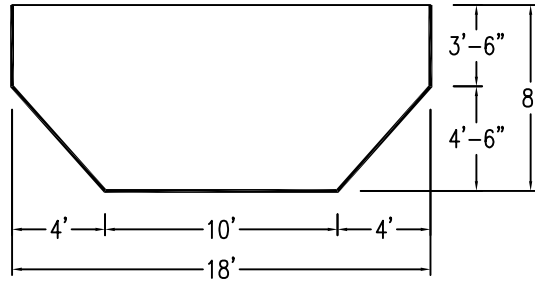


MISCELLANEOUS INFORMATION

PERIMETER:-	84'
SURFACE AREA:	446 SQ FT
VOLUME:	14157 IMP GALS 64401 L

PARTS LIST

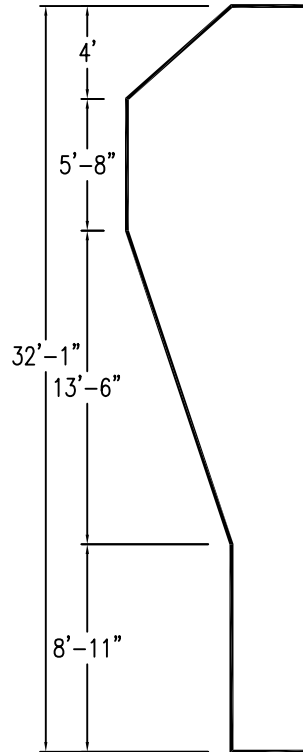
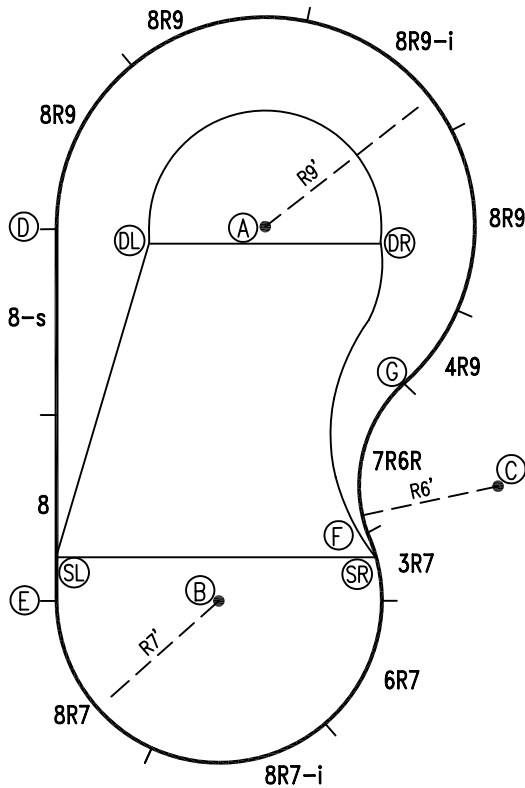
CODE	QTY	DESCRIPTION
8-s	1	8' Skimmer
8R9-i	1	8' Return x 9' Radius
8R7-i	1	8' Return x 7' Radius
8R9	3	8' Plain x 9' Radius
4R9	1	4' Plain x 9' Radius
8R7	1	8' Plain x 7' Radius
7R6R	1	7' Plain x 6' Reverse Radius
8	1	8' Plain
6R7	1	6' Plain x 7' Radius
3R7	1	3' Plain x 7' Radius
AF	12	A-Frame
S	24	Stake
NB	72	Nuts & Bolts



CONCRETE DECK INFO

WIDTH	AREA	NET INCREASES FOR:			
		STEPS	DIVING	SLIDE	ROLLER
2'	180	13	27	24	10
2'6"	229	17	31	20	10
3'	279	20	36	16	10

All Figures Represent "Sq Ft"



*ALL DIMENSIONS ARE FINISHED



INSTALLATION DATA

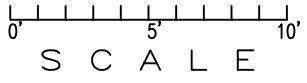
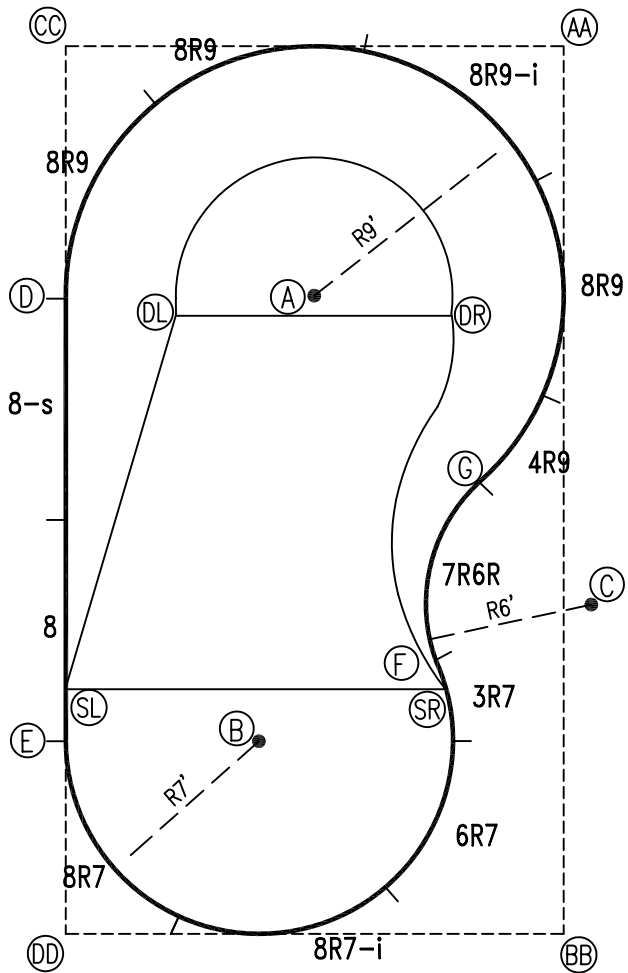
From Point "A" to:-		From Point "B" to:-	
B	16'-2 3/4"	B	
C	15'-0"	C	12'-11 7/8"
D	9'-0"	D	17'-5 5/8"
E	18'-5 3/8"	E	7'-0"
F	13'-10 3/4"	F	7'-0"
G	9'-0"	G	12'-3 1/2"
SR	15'-0"	SR	7'-0"
SL	16'-10"	SL	7'-2 7/8"
DR	5'-0 3/8"	DR	16'-10 5/8"
DL	5'-0 1/2"	DL	15'-8 3/8"

NOTICE

SWIMMING POOLS AND ACCESSORIES (INCLUDING DIVING BOARDS) ARE DANGEROUS WHEN IMPROPERLY USED OR INSTALLED. IT IS THE RESPONSIBILITY OF MUNICIPAL OFFICIALS, BUILDERS AND POOL OWNERS TO ADHERE TO ALL SAFETY RECOMMENDATIONS AND STANDARDS ISSUED BY THE POOL & HOT TUB COUNCIL, LOCAL AUTHORITIES AND EQUIPMENT MANUFACTURERS. PLEASE REFER TO DIVING BOARD MANUFACTURERS FOR CORRECT POSITIONING AND INSTALLATION OF DIVING EQUIPMENT.

EXTERNAL INSTALLATION DATA

AA TO:	BB TO:	CC TO:	DD TO:
AA ---	AA 32'-1"	AA 18'-0"	AA 36'-9 1/2"
BB ---	BB ---	BB 36'-9 1/2"	BB 18'-0"
CC ---	CC ---	CC ---	CC 32'-1"
A 12'-9"	A 24'-9 1/4"	A 12'-8 3/4"	A 24'-9 1/8"
B 27'-5 1/4"	B 13'-0 3/8"	B 26'-0 7/8"	B 9'-10 1/4"
C 20'-2 1/2"	C 11'-11 3/8"	C 27'-8 5/8"	C 22'-4 7/8"
D 20'-2 3/8"	D 29'-2 1/4"	D 9'-1 1/2"	D 22'-11 1/2"
E 30'-10 1/2"	E 19'-3 3/4"	E 25'-0 7/8"	E 7'-0 1/8"
F 22'-7 7/8"	F 10'-11 1/4"	F 25'-10 3/4"	F 16'-7 5/8"
G 16'-0 5/8"	G 16'-7 3/8"	G 21'-8 5/8"	G 22'-1 5/8"
SR 23'-7 5/8"	SR 9'-9 7/8"	SR 26'-11 7/8"	SR 16'-3 7/8"
SL 29'-4 3/4"	SL 20'-0 5/8"	SL 23'-2 7/8"	SL 8'-10 1/8"
DR 10'-6 5/8"	DR 22'-8 1/2"	DR 17'-0 1/4"	DR 26'-4 1/8"
DL 17'-0 7/8"	DL 26'-4 1/2"	DL 10'-6 1/4"	DL 22'-8 1/4"



DIAGONALS

E To G:	17'7"
D To F:	18'9"

NOTICE

SWIMMING POOLS AND ACCESSORIES (INCLUDING DIVING BOARDS) ARE DANGEROUS WHEN IMPROPERLY USED OR INSTALLED. IT IS THE RESPONSIBILITY OF MUNICIPAL OFFICIALS, BUILDERS AND POOL OWNERS TO ADHERE TO ALL SAFETY RECOMMENDATIONS AND STANDARDS ISSUED BY THE POOL & HOT TUB COUNCIL, LOCAL AUTHORITIES AND EQUIPMENT MANUFACTURERS. PLEASE REFER TO DIVING BOARD MANUFACTURERS FOR CORRECT POSITIONING AND INSTALLATION OF DIVING EQUIPMENT.

HIGHBURY POOLS LTD

KIDNEY-STRAIGHTBACK-RIGHT 18 X 32

DRAWING REFERENCE #
16-18-32-2

DRAWN BY: JB
REV. 5 FEB 2007
SHEET 2 OF 2