

**MISCELLANEOUS INFORMATION**

PERIMETER:	85'6"
SURFACE AREA:	472 SQ FT
VOLUME:	15183 IMP GALS 69083 LITER

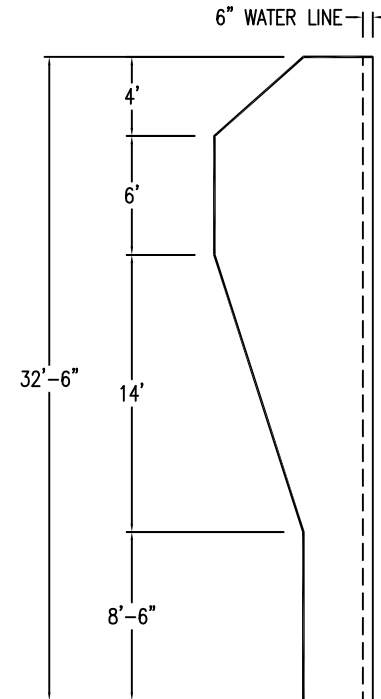
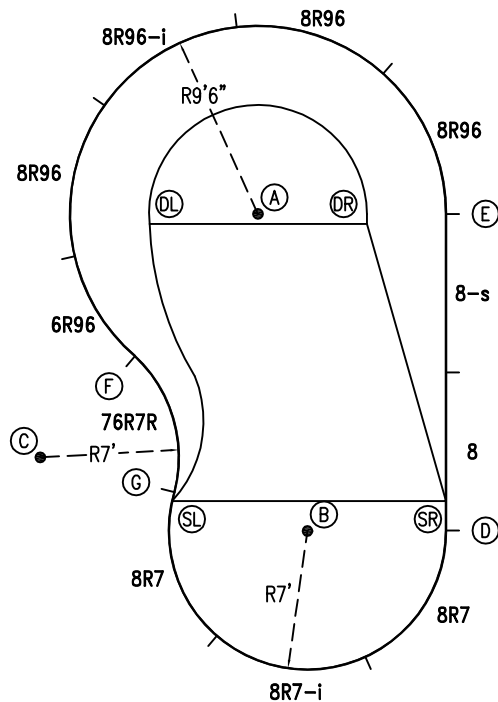
**CONCRETE DECK INFO**

WIDTH	AREA	NET INCREASES FOR:			
		STEPS	DIVING	SLIDE	ROLLER
2'	183	13	27	24	10
2'6"	233	17	31	20	10
3'	284	20	36	16	10

All Figures Represent "Sq Ft"

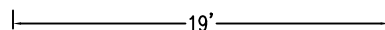
**PARTS LIST**

CODE	QTY	DESCRIPTION
8R7	2	8' Plain x 7' Radius
8R7-i	1	8' Return x 7' Radius
8	1	8' Plain
8-s	1	8' Skimmer
8R96	3	8' Plain x 9'6" Radius
8R96-i	1	8' Return x 9'6" Radius
6R96	1	6' Plain x 9'6" Radius
76R7R	1	7'6" Plain x 7' Reverse Radius
AF	11	A-Frame
S	22	Stakes
NB	66	Nuts & Bolts

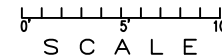


**INSTALLATION DATA**

From Point "A" to:-		From Point "B" to:-	
B	16'-2 1/2"	B	14'-0"
C	16'-5 3/4"	C	14'-0"
D	18'-7 1/4"	D	7'-0"
E	9'-6"	E	17'-5 3/4"
F	9'-6"	F	12'-4 3/4"
G	14'-8"	G	7'-0"
SL	15'-1 1/2"	SL	7'-0"
SR	17'-4"	SR	7'-1 3/4"
DL	5'-6"	DL	17'-5 1/4"
DR	5'-6 1/4"	DR	15'-9 1/2"



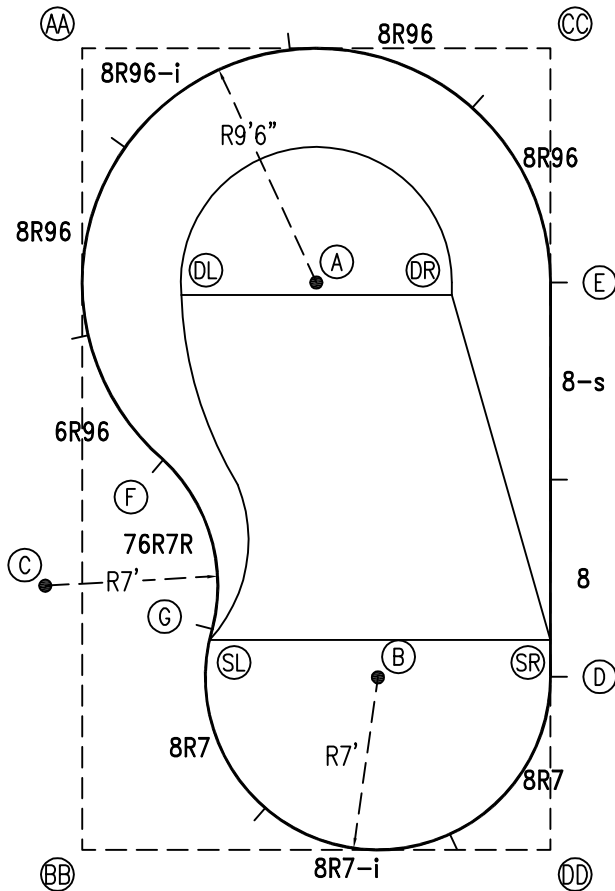
\*ALL DIMENSIONS ARE FINISHED



**NOTICE**

SWIMMING POOLS AND ACCESSORIES (INCLUDING DIVING BOARDS) ARE DANGEROUS WHEN IMPROPERLY USED OR INSTALLED. IT IS THE RESPONSIBILITY OF MUNICIPAL OFFICIALS, BUILDERS AND POOL OWNERS TO ADHERE TO ALL SAFETY RECOMMENDATIONS AND STANDARDS ISSUED BY THE POOL & HOT TUB COUNCIL, LOCAL AUTHORITIES AND EQUIPMENT MANUFACTURERS. PLEASE REFER TO DIVING BOARD MANUFACTURERS FOR CORRECT POSITIONING AND INSTALLATION OF DIVING EQUIPMENT.

PERIMETER: 85'6"



EXTERNAL INSTALLATION DATA

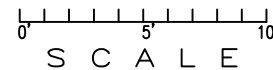
AA TO:	BB TO:	CC TO:	DD TO:
AA ---	AA 32'-6 1/4"	AA 19'-0"	AA 37'-7 3/4"
BB ---	BB ---	BB 37'-7 3/4"	BB 19'-0"
CC ---	CC ---	CC ---	CC 32'-6 1/4"
A 13'-5 1/4"	A 24'-10 3/4"	A 13'-5 1/4"	A 24'-10 3/4"
B 28'-2 1/4"	B 13'-10 3/4"	B 26'-5 1/2"	B 9'-10 3/4"
C 21'-10 1/4"	C 10'-9 3/4"	C 29'-11"	C 23'-1 1/2"
D 31'-9 1/2"	D 20'-3"	D 25'-6"	D 7'-0 1/4"
E 21'-2 3/4"	E 29'-10"	E 9'-6"	E 23'-0 1/4"
F 17'-0"	F 16'-2"	F 22'-11"	F 22'-3 1/2"
G 24'-1 1/2"	G 10'-4 3/4"	G 27'-3"	G 16'-4 1/2"
SL 24'-6 1/2"	SL 9'-11 1/2"	SL 27'-8 1/4"	SL 16'-2 3/4"
SR 30'-7 1/4"	SR 20'-9 3/4"	SR 24'-0"	SR 8'-6 1/4"
DL 10'-9 1/4"	DL 22'-10 1/2"	DL 18'-0"	DL 27'-0 1/2"
DR 18'-0 1/4"	DR 27'-0 1/2"	DR 10'-9 1/4"	DR 22'-10 1/2"

DIAGONALS

From Point "D" to:-		From Point "E" to:-	
E	16'-0"	E	
F	18'-0 1/8"	F	17'-3 3/8"
G	13'-10 1/4"	G	19'-7 5/8"

NOTICE

SWIMMING POOLS AND ACCESSORIES (INCLUDING DIVING BOARDS) ARE DANGEROUS WHEN IMPROPERLY USED OR INSTALLED. IT IS THE RESPONSIBILITY OF MUNICIPAL OFFICIALS, BUILDERS AND POOL OWNERS TO ADHERE TO ALL SAFETY RECOMMENDATIONS AND STANDARDS ISSUED BY THE POOL & HOT TUB COUNCIL, LOCAL AUTHORITIES AND EQUIPMENT MANUFACTURERS. PLEASE REFER TO DIVING BOARD MANUFACTURERS FOR CORRECT POSITIONING AND INSTALLATION OF DIVING EQUIPMENT.



HIGHBURY POOLS LTD

KIDNEY-STRAIGHT BACK-LEFT 19 x 19 x 33

DRAWING REFERENCE #  
16-19-33-1

DRAWN BY: JK  
REV. 27 JUN 13  
SHEET 2 OF 2