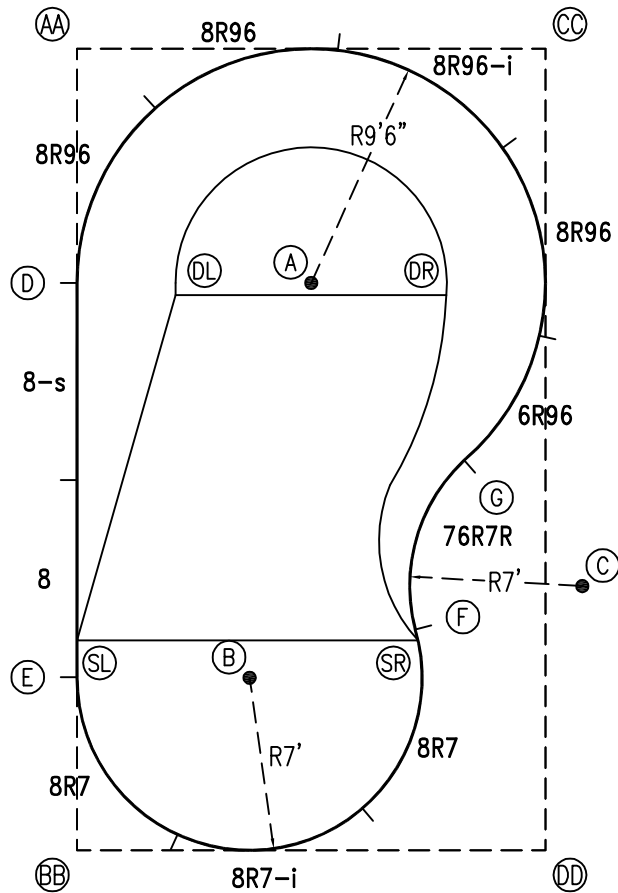


PERIMETER: 85'6"



EXTERNAL INSTALLATION DATA

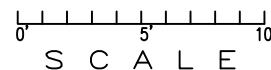
AA TO:	BB TO:	CC TO:	DD TO:
AA --	AA 32'-6 1/4"	AA 19'-0"	AA 37'-7 3/4"
BB --	BB --	BB 37'-7 3/4"	BB 19'-0"
CC --	CC --	CC --	CC 32'-6 1/4"
A 13'-5 1/4"	A 24'-10 3/4"	A 13'-5 1/4"	A 24'-10 3/4"
B 26'-5 1/2"	B 9'-10 3/4"	B 28'-2 1/4"	B 13'-10 3/4"
C 29'-11"	C 23'-1 1/2"	C 21'-10 1/4"	C 10'-9 3/4"
D 9'-6"	D 23'-0 1/4"	D 21'-2 3/4"	D 29'-10"
E 25'-6"	E 7'-0 1/4"	E 31'-9 1/2"	E 20'-3"
F 27'-3"	F 16'-4 1/2"	F 24'-1 1/2"	F 10'-4 3/4"
G 22'-11"	G 22'-3 1/2"	G 17'-0"	G 16'-2"
SL 24'-0"	SL 8'-6 1/4"	SL 30'-7 1/4"	SL 20'-9 3/4"
SR 27'-8 1/4"	SR 16'-2 3/4"	SR 24'-6 1/2"	SR 9'-11 1/2"
DL 10'-9 1/4"	DL 22'-10 1/2"	DL 18'-0 1/4"	DL 27'-0 1/2"
DR 18'-0"	DR 27'-0 1/2"	DR 10'-9 1/4"	DR 22'-10 1/2"

DIAGONALS

From Point "D" to:-	From Point "E" to:-
E 16'-0 1/4"	E
F 19'-7 5/8"	F 13'-10 1/4"
G 17'-3 3/8"	G 18'-0 1/4"

NOTICE

SWIMMING POOLS AND ACCESSORIES (INCLUDING DIVING BOARDS) ARE DANGEROUS WHEN IMPROPERLY USED OR INSTALLED. IT IS THE RESPONSIBILITY OF MUNICIPAL OFFICIALS, BUILDERS AND POOL OWNERS TO ADHERE TO ALL SAFETY RECOMMENDATIONS AND STANDARDS ISSUED BY THE POOL & HOT TUB COUNCIL, LOCAL AUTHORITIES AND EQUIPMENT MANUFACTURERS. PLEASE REFER TO DIVING BOARD MANUFACTURERS FOR CORRECT POSITIONING AND INSTALLATION OF DIVING EQUIPMENT.



HIGHBURY POOLS LTD

KIDNEY-STRAIGHT BACK-RIGHT 19 x 19 x 33

DRAWING REFERENCE #
16-19-33-2

DRAWN BY:JK
REV. 27 JUN 13
SHEET 2 OF 2