

MISCELLANEOUS INFORMATION

PERIMETER:	106'
SURFACE AREA:	762 SQ FT
VOLUME:	22282 IMP GALS 101383 LITER

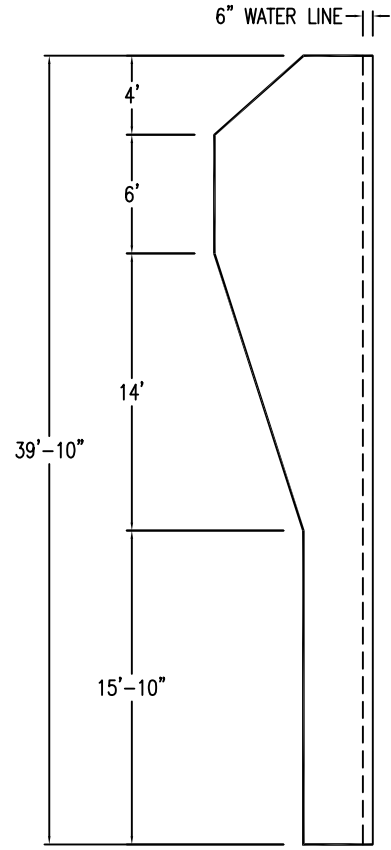
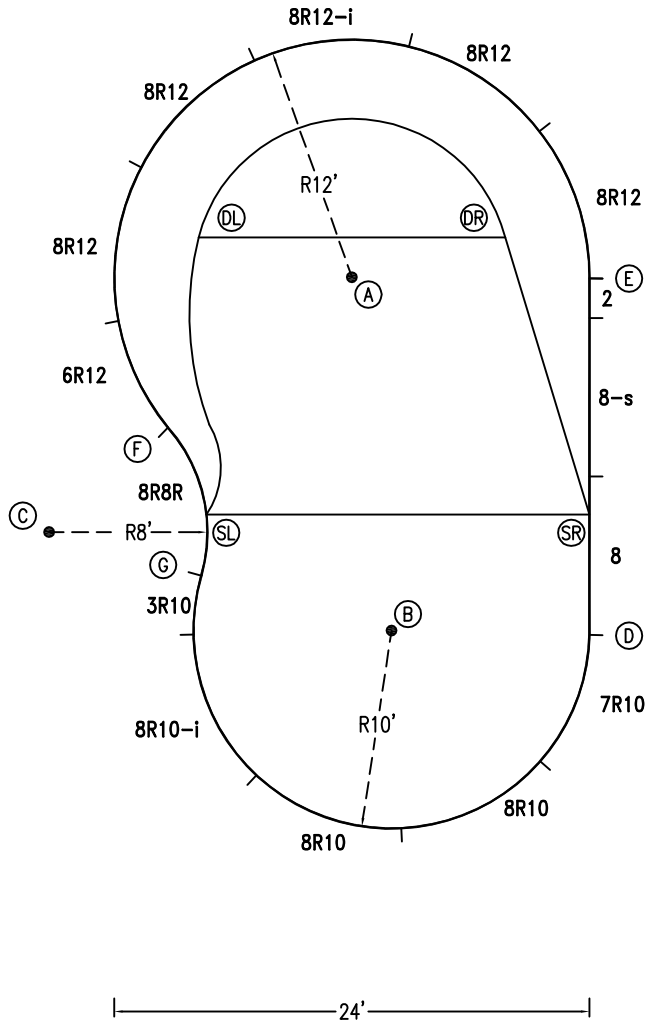
CONCRETE DECK INFO

WIDTH	AREA	NET INCREASES FOR:			
		STEPS	DIVING	SLIDE	ROLLER
2'	225	13	27	24	10
2'6"	285	17	31	20	10
3'	346	20	36	16	10

All Figures Represent "Sq Ft"

PARTS LIST

CODE	QTY	DESCRIPTION
3R10	1	3' Plain x 10' Radius
8R10-i	1	8' Return x 10' Radius
8R10	2	8' Plain x 10' Radius
7R10	1	7' Plain x 10' Radius
8	1	8' Plain
8-s	1	8' Skimmer
2	1	2' Plain
8R12	4	8' Plain x 12' Radius
8R12-i	1	8' Return x 12' Radius
6R12	1	6' Plain x 12' Radius
8R8R	1	8' Plain x 8' Reverse Radius
AF	15	A-Frame
S	30	Stakes
NB	90	Nuts & Bolts



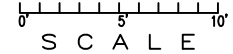
INSTALLATION DATA

From Point "A" to:-		From Point "B" to:-	
B	17'-11 1/2"	B	18'-0"
C	20'-0"	C	18'-0"
D	21'-8 1/4"	D	10'-0"
E	12'-0"	E	20'-4 3/4"
F	12'-0"	F	15'-2 3/4"
G	16'-10 3/4"	G	10'-0"
SL	14'-0 3/4"	SL	11'-0 1/4"
SR	16'-11 1/2"	SR	11'-7"
DL	8'-0"	DL	22'-1 1/4"
DR	8'-0"	DR	20'-7 3/4"

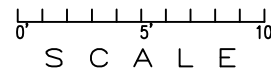
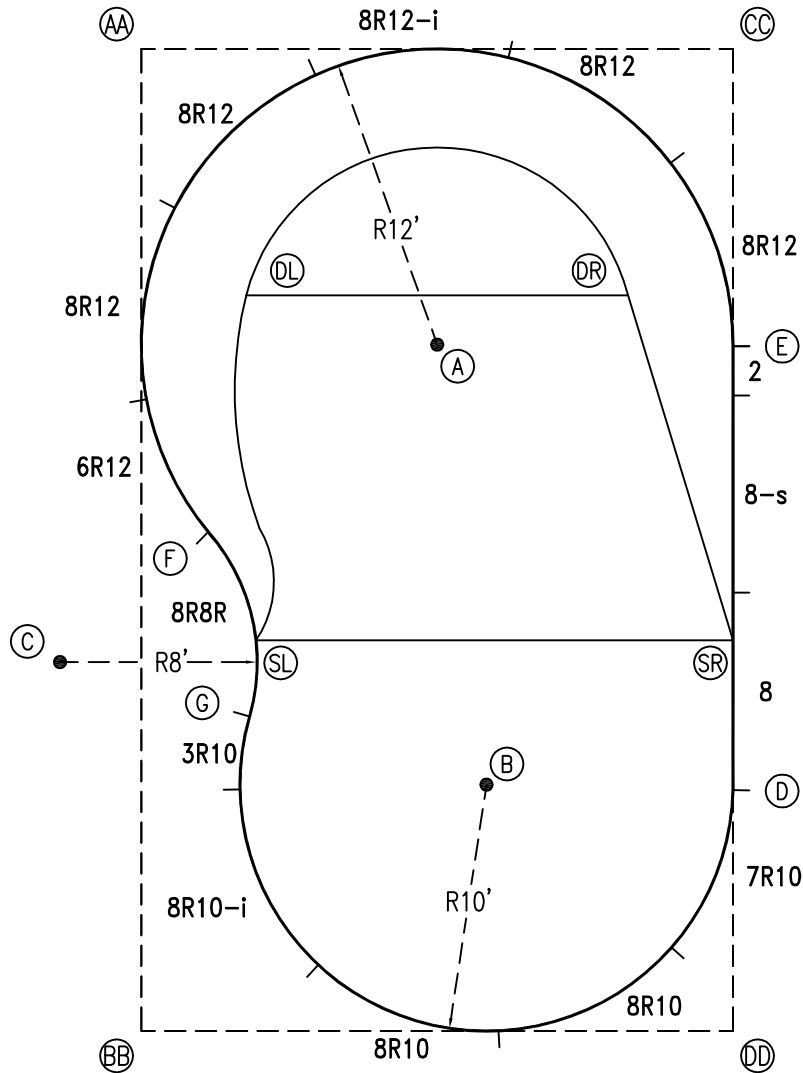
NOTICE

SWIMMING POOLS AND ACCESSORIES (INCLUDING DIVING BOARDS) ARE DANGEROUS WHEN IMPROPERLY USED OR INSTALLED. IT IS THE RESPONSIBILITY OF MUNICIPAL OFFICIALS, BUILDERS AND POOL OWNERS TO ADHERE TO ALL SAFETY RECOMMENDATIONS AND STANDARDS ISSUED BY THE POOL & HOT TUB COUNCIL, LOCAL AUTHORITIES AND EQUIPMENT MANUFACTURERS. PLEASE REFER TO DIVING BOARD MANUFACTURERS FOR CORRECT POSITIONING AND INSTALLATION OF DIVING EQUIPMENT.

*ALL DIMENSIONS ARE FINISHED



PERIMETER: 106'



EXTERNAL INSTALLATION DATA

AA TO:	BB TO:	CC TO:	DD TO:
AA --	AA 39'-10 1/4"	AA 24'-0"	AA 46'-6 1/4"
BB --	BB --	BB 46'-6 1/4"	BB 24'-0"
CC --	CC --	CC --	CC 39'-10 1/4"
A 16'-11 1/2"	A 30'-3 3/4"	A 16'-11 1/2"	A 30'-3 3/4"
B 32'-11 1/2"	B 17'-2 1/2"	B 31'-5 3/4"	B 14'-1 1/2"
C 25'-1"	C 15'-3 3/4"	C 36'-11 1/4"	C 31'-1 1/2"
D 38'-5 1/2"	D 25'-11"	D 30'-0 3/4"	D 9'-9 1/4"
E 26'-10 1/4"	E 36'-8 1/2"	E 12'-0 3/4"	E 27'-9 1/4"
F 19'-9 1/2"	F 20'-5"	F 28'-11 1/4"	F 29'-4 1/2"
G 27'-5 1/4"	G 13'-5 3/4"	G 33'-5 1/4"	G 23'-4 3/4"
SL 24'-5 1/4"	SL 16'-6 1/4"	SL 30'-9 3/4"	SL 25'-0"
SR 33'-11 1/4"	SR 28'-9"	SR 24'-0"	SR 15'-10 1/4"
DL 10'-10 1/4"	DL 30'-1 3/4"	DL 22'-1 1/2"	DL 35'-9 1/2"
DR 22'-1 1/2"	DR 35'-9 1/2"	DR 10'-10 1/4"	DR 30'-1 3/4"

DIAGONALS

From Point "D" to:-	From Point "E" to:-
E 18'-0"	E
F 23'-8 5/8"	F 22'-6 7/8"
G 19'-9 7/8"	G 24'-8 3/8"

NOTICE

SWIMMING POOLS AND ACCESSORIES (INCLUDING DIVING BOARDS) ARE DANGEROUS WHEN IMPROPERLY USED OR INSTALLED. IT IS THE RESPONSIBILITY OF MUNICIPAL OFFICIALS, BUILDERS AND POOL OWNERS TO ADHERE TO ALL SAFETY RECOMMENDATIONS AND STANDARDS ISSUED BY THE POOL & HOT TUB COUNCIL, LOCAL AUTHORITIES AND EQUIPMENT MANUFACTURERS. PLEASE REFER TO DIVING BOARD MANUFACTURERS FOR CORRECT POSITIONING AND INSTALLATION OF DIVING EQUIPMENT.

HIGHBURY POOLS LTD

KIDNEY-STRAIGHT BACK-LEFT 24 x 24 x 40

DRAWING REFERENCE #
16-24-40-1

DRAWN BY: JK
REV. 28 JUN 13
SHEET 2 OF 2