

MISCELLANEOUS INFORMATION

PERIMETER:-	106'
SURFACE AREA:	762 SQ FT
VOLUME:22933	IMP GALS 104346 L

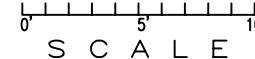
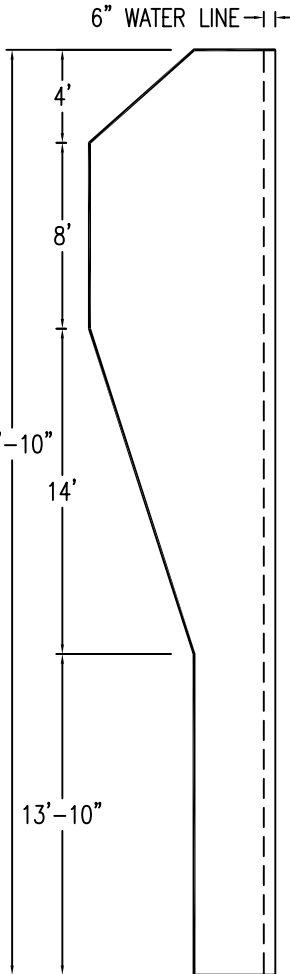
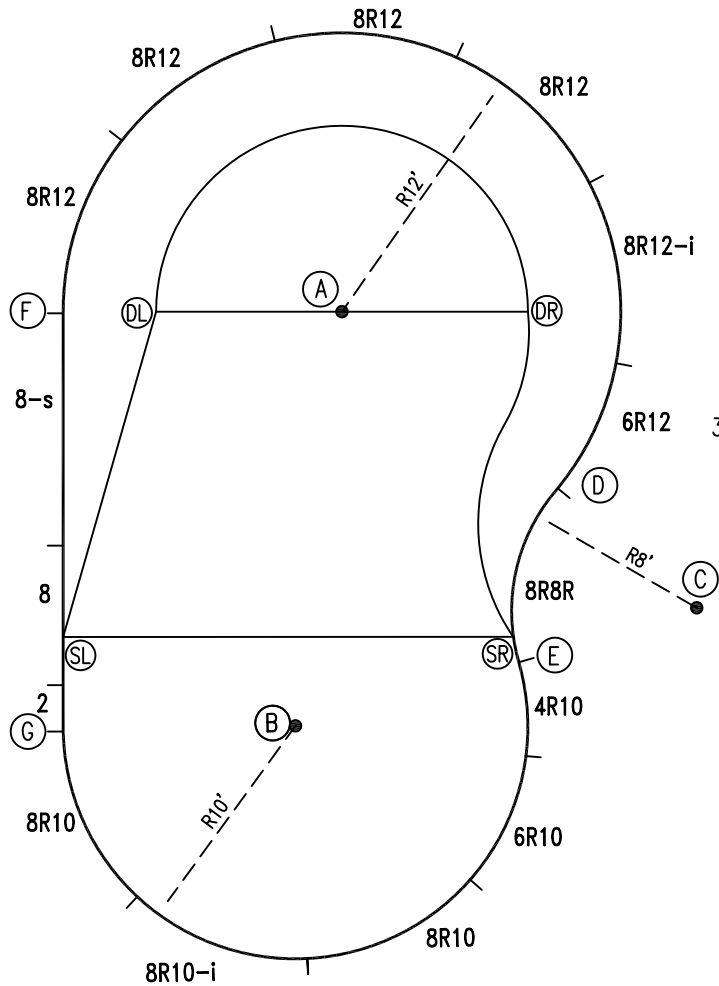
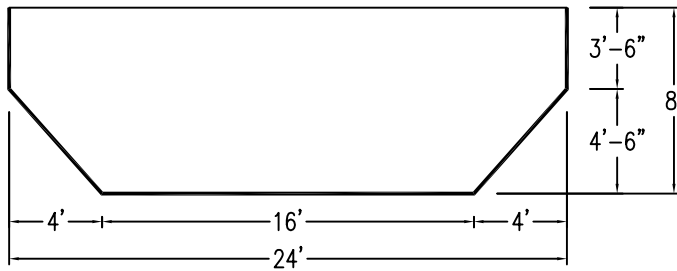
CONCRETE DECK INFO

WIDTH	AREA	NET INCREASES FOR:			
		STEPS	DIVING	SLIDE	ROLLER
2'	225	13	27	24	10
2'6"	285	17	31	20	10
3'	347	20	36	16	10

All Figures Represent "Sq Ft"

PARTS LIST

CODE	QTY	DESCRIPTION
8-s	1	8' Skimmer
8R12-i	1	8' Return x 12' Radius
8R10-i	1	8' Return x 10' Radius
8R12	4	8' Plain x 12' Radius
6R12	1	6' Plain x 12' Radius
8R10	2	8' Plain x 10' Radius
6R10	1	6' Plain x 10' Radius
4R10	1	4' Plain x 10' Radius
8	1	8' Plain
2	1	2' Plain
8R8R	1	8' Plain x 8' Reverse Radius
AF	15	A-Frame
S	30	Stake
NB	90	Nuts & Bolts



INSTALLATION DATA

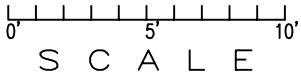
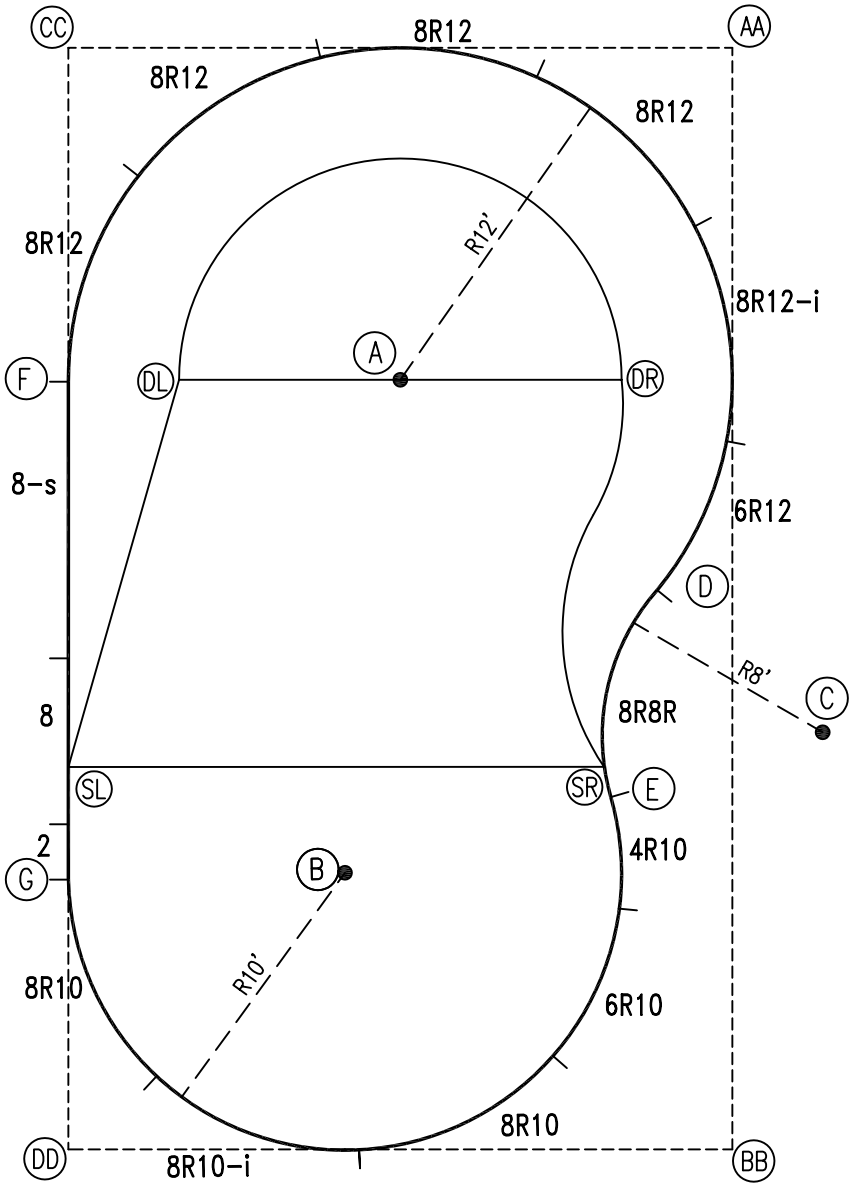
From Point "A" to:-		From Point "B" to:-	
B	17'-11 1/4"	B	18'-0"
C	19'-10 5/8"	C	18'-0"
D	12'-0"	D	15'-2 3/4"
E	16'-10 3/4"	E	9'-11 7/8"
F	12'-0"	F	20'-4 1/2"
G	21'-8 1/4"	G	10'-0"
SR	15'-9 3/4"	SR	10'-1 3/8"
SL	18'-5 1/4"	SL	10'-8 1/2"
DR	8'-0"	DR	20'-5 1/4"
DL	8'-0"	DL	18'-9 5/8"

NOTICE

SWIMMING POOLS AND ACCESSORIES (INCLUDING DIVING BOARDS) ARE DANGEROUS WHEN IMPROPERLY USED OR INSTALLED. IT IS THE RESPONSIBILITY OF MUNICIPAL OFFICIALS, BUILDERS AND POOL OWNERS TO ADHERE TO ALL SAFETY RECOMMENDATIONS AND STANDARDS ISSUED BY THE POOL & HOT TUB COUNCIL, LOCAL AUTHORITIES AND EQUIPMENT MANUFACTURERS. PLEASE REFER TO DIVING BOARD MANUFACTURERS FOR CORRECT POSITIONING AND INSTALLATION OF DIVING EQUIPMENT.

EXTERNAL INSTALLATION DATA

AA TO:		BB TO:		CC TO:		DD TO:	
AA	--	AA	39'-9 7/8"	AA	24'-0"	AA	46'-5 7/8"
BB	--	BB	--	BB	46'-5 7/8"	BB	24'-0"
CC	--	CC	--	CC	--	CC	39'-9 7/8"
A	16'-11 5/8"	A	30'-3 5/8"	A	16'-11 5/8"	A	30'-3 5/8"
B	32'-11 3/8"	B	17'-2 1/2"	B	31'-5 1/2"	B	14'-1 3/4"
C	24'-11 1/2"	C	15'-5 1/8"	C	36'-9 7/8"	C	31'-1 7/8"
D	19'-9 1/2"	D	20'-4 7/8"	D	28'-11 1/4"	D	29'-4 1/4"
E	27'-5 1/4"	E	13'-5 5/8"	E	33'-5 1/4"	E	23'-4 5/8"
F	26'-10 3/8"	F	36'-8 1/4"	F	12'-0 7/8"	F	27'-9"
G	38'-5 5/8"	G	25'-10 7/8"	G	30'-0 7/8"	G	9'-9"
SR	26'-4 7/8"	SR	14'-7"	SR	32'-4 7/8"	SR	23'-9 1/2"
SL	35'-4 5/8"	SL	27'-8 3/8"	SL	26'-0"	SL	13'-9 7/8"
DR	12'-7 3/4"	DR	28'-1 1/4"	DR	23'-3 7/8"	DR	34'-3 1/8"
DL	23'-3 7/8"	DL	34'-3 1/8"	DL	12'-7 3/4"	DL	28'-1 1/4"



DIAGONALS

E To F:	24'8"
D To G:	23'9"

NOTICE

SWIMMING POOLS AND ACCESSORIES (INCLUDING DIVING BOARDS) ARE DANGEROUS WHEN IMPROPERLY USED OR INSTALLED. IT IS THE RESPONSIBILITY OF MUNICIPAL OFFICIALS, BUILDERS AND POOL OWNERS TO ADHERE TO ALL SAFETY RECOMMENDATIONS AND STANDARDS ISSUED BY THE POOL & HOT TUB COUNCIL, LOCAL AUTHORITIES AND EQUIPMENT MANUFACTURERS. PLEASE REFER TO DIVING BOARD MANUFACTURERS FOR CORRECT POSITIONING AND INSTALLATION OF DIVING EQUIPMENT.

HIGHBURY POOLS LTD

KIDNEY-STRAIGHTBACK-RIGHT 24x40

DRAWING REFERENCE #  
16-24-40-2

DRAWN BY: JB  
REV. 5 FEB 2007  
SHEET 2 OF 2