

**MISCELLANEOUS INFORMATION**

PERIMETER:	72'
SURFACE AREA:	330 SQ FT
VOLUME:	9051 IMP GALS 41182 LITER

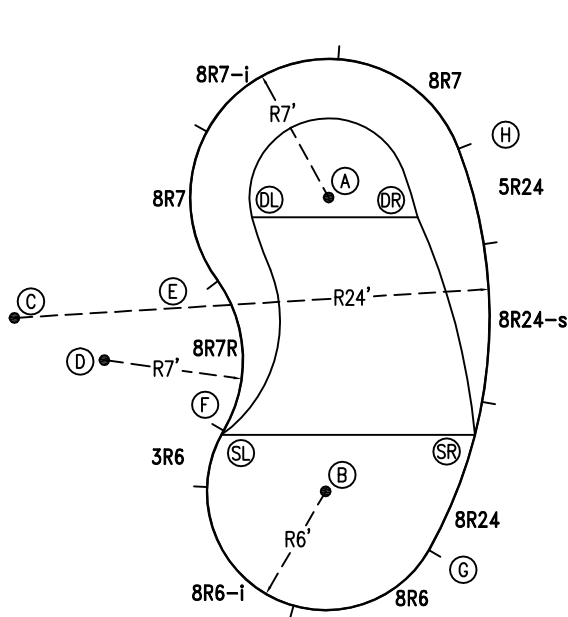
**CONCRETE DECK INFO**

WIDTH	AREA	NET INCREASES FOR:			
		STEPS	DIVING	SLIDE	ROLLER
2'	156	13	27	24	10
2'6"	199	17	31	20	10
3'	244	20	36	16	10

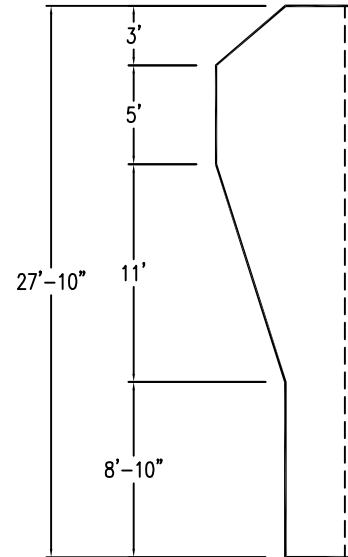
All Figures Represent "Sq Ft"

**PARTS LIST**

CODE	QTY	DESCRIPTION
8R7	2	8' Plain x 7' Radius
8R7-i	1	8' Return x 7' Radius
8R7R	1	8' Plain x 7' Reverse Radius
3R6	1	3' Plain x 6' Radius
8R6-i	1	8' Return x 6' Radius
8R6	1	8' Plain x 6' Radius
8R24	1	8' Plain x 24' Radius
8R24-s	1	8' Skimmer x 24' Radius
5R24	1	5' Plain x 24' Radius
AF	10	A-Frame
S	20	Stakes
NB	60	Nuts & Bolts



6" WATER LINE

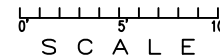


**INSTALLATION DATA**

From Point "A" to:-		From Point "B" to:-	
B	14'-10"	B	18'-0"
C	17'-0"	C	13'-0"
D	14'-0"	D	13'-0"
E	7'-0"	E	11'-11 1/4"
F	12'-11"	F	6'-0"
G	18'-6 1/4"	G	6'-0"
H	7'-0"	H	18'-6 3/4"
SL	13'-2"	SL	6'-0"
SR	14'-1"	SR	8'-0 1/2"
DL	4'-0"	DL	14'-4"
DR	4'-7 1/4"	DR	14'-7 1/4"

15'-1 1/2"

\*ALL DIMENSIONS ARE FINISHED



**NOTICE**

SWIMMING POOLS AND ACCESSORIES (INCLUDING DIVING BOARDS) ARE DANGEROUS WHEN IMPROPERLY USED OR INSTALLED. IT IS THE RESPONSIBILITY OF MUNICIPAL OFFICIALS, BUILDERS AND POOL OWNERS TO ADHERE TO ALL SAFETY RECOMMENDATIONS AND STANDARDS ISSUED BY THE POOL & HOT TUB COUNCIL, LOCAL AUTHORITIES AND EQUIPMENT MANUFACTURERS. PLEASE REFER TO DIVING BOARD MANUFACTURERS FOR CORRECT POSITIONING AND INSTALLATION OF DIVING EQUIPMENT.

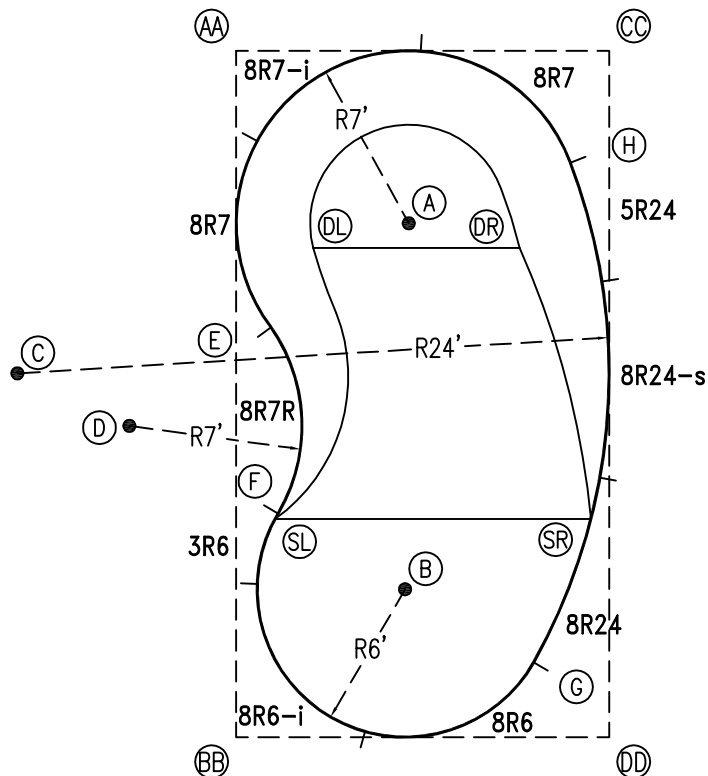
HIGHBURY POOLS LTD

KIDNEY - LEFT 14 x 15 x 28

DRAWING REFERENCE #  
15-14-28-1

DRAWN BY: JK  
REV. 16 AUG 13  
SHEET 1 OF 2

PERIMETER: 72'



EXTERNAL INSTALLATION DATA

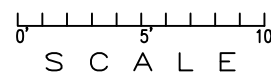
AA TO:	BB TO:	CC TO:	DD TO:
AA ---	AA 27'-10"	AA 15'-1 1/2"	AA 31'-8 1/4"
BB ---	BB ---	BB 31'-8 1/4"	BB 15'-1 1/2"
CC ---	CC ---	CC ---	CC 27'-10"
A 9'-10 3/4"	A 21'-11 3/4"	A 10'-8 3/4"	A 22'-4 1/2"
B 22'-10 3/4"	B 9'-1 1/4"	B 23'-4 1/4"	B 10'-2 1/2"
C 15'-9 3/4"	C 17'-2 1/2"	C 27'-4"	C 28'-2"
D 15'-9 3/4"	D 13'-4 1/4"	D 24'-8 1/4"	D 23'-2 1/4"
E 11'-3 1/2"	E 16'-8 1/4"	E 17'-8 1/2"	E 21'-6 3/4"
F 18'-10 1/4"	F 9'-2 1/2"	F 23'-1"	F 16'-2 1/2"
G 27'-7"	G 12'-5 1/4"	G 25'-0"	G 4'-3 1/2"
H 14'-3 1/2"	H 26'-11 1/2"	H 4'-9 1/2"	H 23'-4 1/4"
SL 19'-0 3/4"	SL 8'-11 3/4"	SL 23'-4"	SL 16'-2 1/4"
SR 23'-9 3/4"	SR 16'-10 1/2"	SR 19'-0"	SR 8'-10 1/2"
DL 8'-7"	DL 20'-1"	DL 14'-5"	DL 23'-2 1/4"
DR 14'-0"	DR 22'-11 1/4"	DR 8'-9 1/4"	DR 20'-2"

DIAGONALS

From Point "E" to:-	From Point "F" to:-
F 7'-6 7/8"	F
G 17'-3 3/8"	G 12'-0"
H 13'-10 1/4"	H 18'-6 3/8"

NOTICE

SWIMMING POOLS AND ACCESSORIES (INCLUDING DIVING BOARDS) ARE DANGEROUS WHEN IMPROPERLY USED OR INSTALLED. IT IS THE RESPONSIBILITY OF MUNICIPAL OFFICIALS, BUILDERS AND POOL OWNERS TO ADHERE TO ALL SAFETY RECOMMENDATIONS AND STANDARDS ISSUED BY THE POOL & HOT TUB COUNCIL, LOCAL AUTHORITIES AND EQUIPMENT MANUFACTURERS. PLEASE REFER TO DIVING BOARD MANUFACTURERS FOR CORRECT POSITIONING AND INSTALLATION OF DIVING EQUIPMENT.



HIGHBURY POOLS LTD

KIDNEY - LEFT 14 x 15 x 28

DRAWING REFERENCE #  
15-14-28-1

DRAWN BY: JK  
REV. 16 AUG 13  
SHEET 2 OF 2