

MISCELLANEOUS INFORMATION

PERIMETER:-	72'
SURFACE AREA:	330.1 SQ FT
VOLUME:	10372 IMP GALS 47193 L

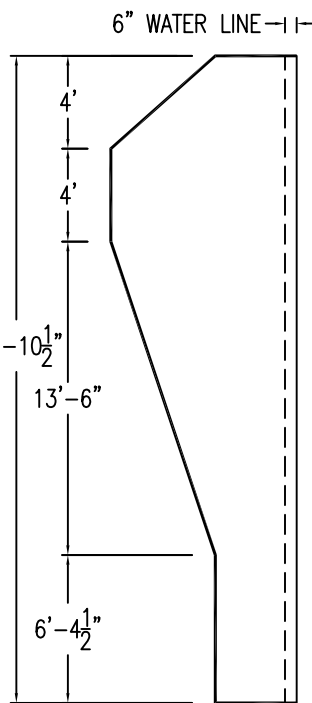
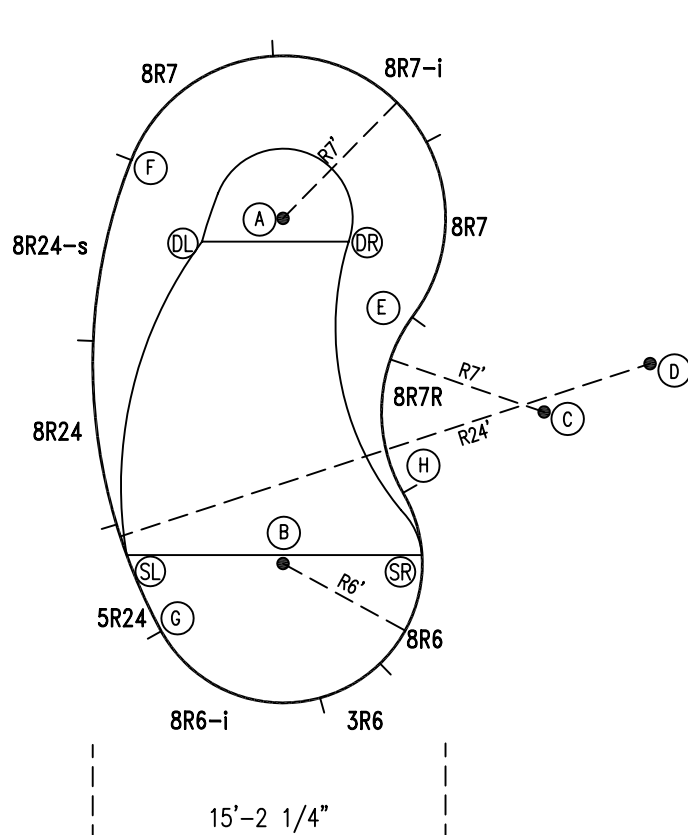
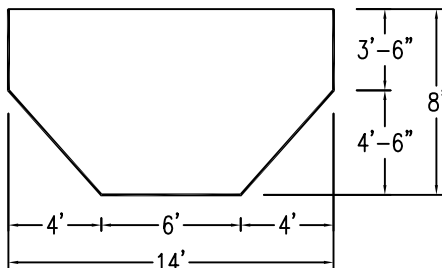
PARTS LIST

CODE	QTY	DESCRIPTION
8R24-s	1	8' Skimmer x 24' Radius
8R7-i	1	8' Return x 7' Radius
8R6-i	1	8' Return x 6' Radius
8R24	1	8' Plain x 24' Radius
5R24	1	5' Plain x 24' Radius
8R7	2	8' Plain x 7' Radius
8R6	1	8' Plain x 6' Radius
3R6	1	3' Plain x 6' Radius
8R7R	1	8' Plain x 7' Reverse Radius
AF	10	A-Frame
S	20	Stake
NB	60	Nuts & Bolts

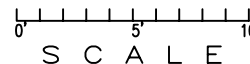
CONCRETE DECK INFO

WIDTH	AREA	NET INCREASES FOR:			
		STEPS	DIVING	SLIDE	ROLLER
2'	157	13	27	24	10
2'6"	200	17	31	20	10
3'	245	20	36	16	10

All Figures Represent "Sq Ft"



\*ALL DIMENSIONS ARE FINISHED



INSTALLATION DATA

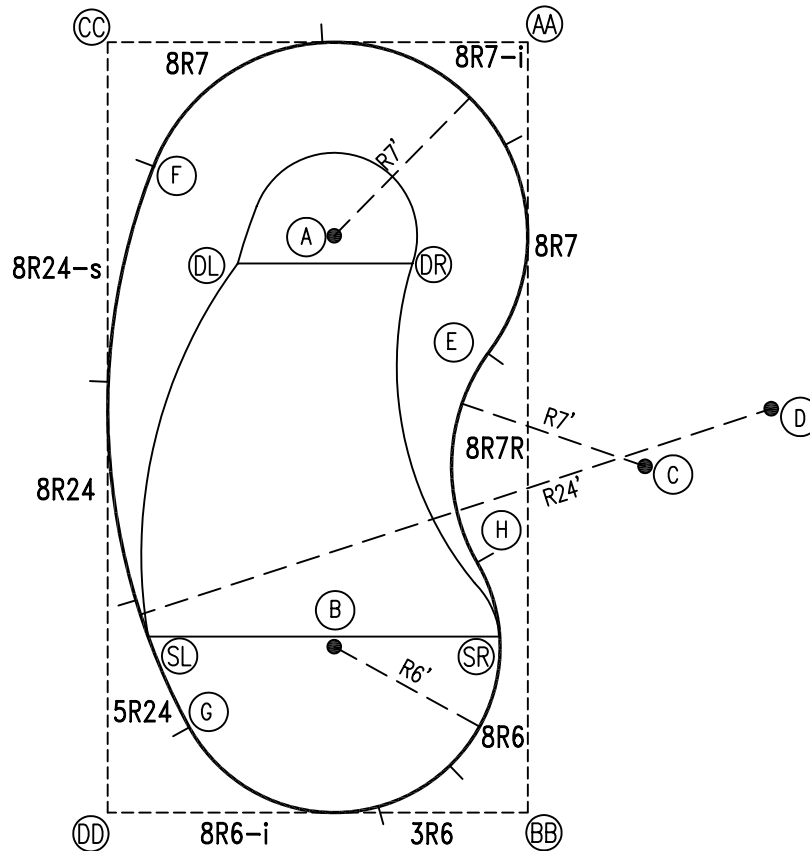
From Point "A" to:-		From Point "B" to:-	
B	14'-10 3/8"	B	
C	14'-0"	C	13'-0"
D	17'-0"	D	18'-0"
E	7'-0"	E	11'-11 3/4"
F	7'-0"	F	18'-6 3/4"
G	18'-6 1/2"	G	6'-0"
H	12'-10 3/4"	H	6'-0"
SR	15'-8 1/4"	SR	6'-0"
SL	15'-11 7/8"	SL	6'-8 7/8"
DR	3'-0"	DR	14'-1 7/8"
DL	3'-7 1/2"	DL	14'-3 5/8"

NOTICE

SWIMMING POOLS AND ACCESSORIES (INCLUDING DIVING BOARDS) ARE DANGEROUS WHEN IMPROPERLY USED OR INSTALLED. IT IS THE RESPONSIBILITY OF MUNICIPAL OFFICIALS, BUILDERS AND POOL OWNERS TO ADHERE TO ALL SAFETY RECOMMENDATIONS AND STANDARDS ISSUED BY THE POOL & HOT TUB COUNCIL, LOCAL AUTHORITIES AND EQUIPMENT MANUFACTURERS. PLEASE REFER TO DIVING BOARD MANUFACTURERS FOR CORRECT POSITIONING AND INSTALLATION OF DIVING EQUIPMENT.

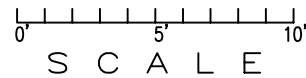
EXTERNAL INSTALLATION DATA

AA TO:		BB TO:		CC TO:		DD TO:	
AA	--	AA	27'-10 3/8"	AA	15'-2 1/4"	AA	31'-8 7/8"
BB	--	BB	--	BB	31'-8 7/8"	BB	15'-2 1/4"
CC	--	CC	--	CC	--	CC	27'-10 3/8"
A	9'-10 3/4"	A	22'-0 1/8"	A	10'-9 1/4"	A	22'-4 7/8"
B	22'-11 1/2"	B	9'-2 5/8"	B	23'-4 1/4"	B	10'-1 7/8"
C	15'-10 7/8"	C	13'-2 3/4"	C	24'-9 1/8"	C	23'-1 1/2"
D	15'-10 7/8"	D	17'-0 3/4"	D	27'-5"	D	28'-1 1/8"
E	11'-4 1/8"	E	16'-8"	E	17'-9 1/4"	E	21'-6 3/4"
F	14'-3 1/8"	F	27'-0 1/8"	F	4'-9 1/2"	F	23'-5 1/4"
G	27'-7 5/8"	G	12'-7 1/2"	G	24'-11 1/2"	G	4'-3 1/4"
H	18'-10 7/8"	H	9'-2 3/4"	H	23'-0 7/8"	H	16'-1 5/8"
SR	21'-6 1/4"	SR	6'-5 3/8"	SR	25'-9 1/8"	SR	15'-6 1/2"
SL	25'-6 1/8"	SL	15'-1 5/8"	SL	21'-6 5/8"	SL	6'-6 3/8"
DR	9'-0 1/4"	DR	20'-3 5/8"	DR	13'-7 3/8"	DR	22'-8 5/8"
DL	13'-2 1/4"	DL	22'-5 5/8"	DL	9'-3 3/8"	DL	20'-4 7/8"



DIAGONALS

F To L:	24'0"
P To H:	18'6"



NOTICE

SWIMMING POOLS AND ACCESSORIES (INCLUDING DIVING BOARDS) ARE DANGEROUS WHEN IMPROPERLY USED OR INSTALLED. IT IS THE RESPONSIBILITY OF MUNICIPAL OFFICIALS, BUILDERS AND POOL OWNERS TO ADHERE TO ALL SAFETY RECOMMENDATIONS AND STANDARDS ISSUED BY THE POOL & HOT TUB COUNCIL, LOCAL AUTHORITIES AND EQUIPMENT MANUFACTURERS. PLEASE REFER TO DIVING BOARD MANUFACTURERS FOR CORRECT POSITIONING AND INSTALLATION OF DIVING EQUIPMENT.

HIGHBURY POOLS LTD

KIDNEY-RIGHT 14x15'2x27'10

DRAWING REFERENCE #

15-14-28-2

DRAWN BY: JB

REV. 05 DEC 2006

SHEET 2 OF 2