

MISCELLANEOUS INFORMATION

PERIMETER:	77'6"
SURFACE AREA:	371 SQ FT
VOLUME:	8909 IMP GALS 40536 LITER

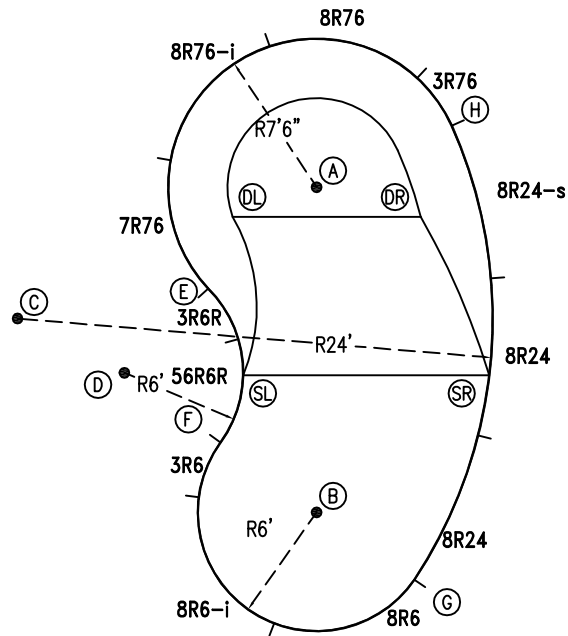
CONCRETE DECK INFO

WIDTH	AREA	NET INCREASES FOR:			
		STEPS	DIVING	SLIDE	ROLLER
2'	168	13	27	24	10
2'6"	214	17	31	20	10
3'	261	20	36	16	10

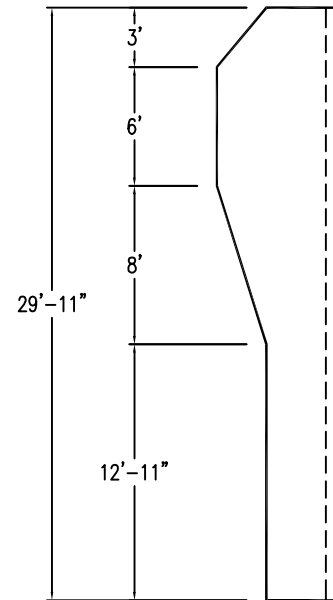
All Figures Represent "Sq Ft"

PARTS LIST

CODE	QTY	DESCRIPTION
3R76	1	3' Plain x 7'6" Radius
8R76	1	8' Plain x 7'6" Radius
8R76-i	1	8' Return x 7'6" Radius
7R76	1	7' Plain x 7'6" Radius
3R6R	1	3' Plain x 6' Reverse Radius
56R6R	1	5'6" Plain x 6' Reverse Radius
3R6	1	3' Plain x 6' Radius
8R6-i	1	8' Return x 6' Radius
8R6	1	8' Plain x 6' Radius
8R24	2	8' Plain x 24' Radius
8R24-s	1	8' Skimmer x 24' Radius
AF	12	A-Frame
S	24	Stakes
NB	72	Nuts & Bolts



6" WATER LINE



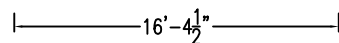
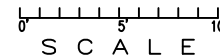
INSTALLATION DATA

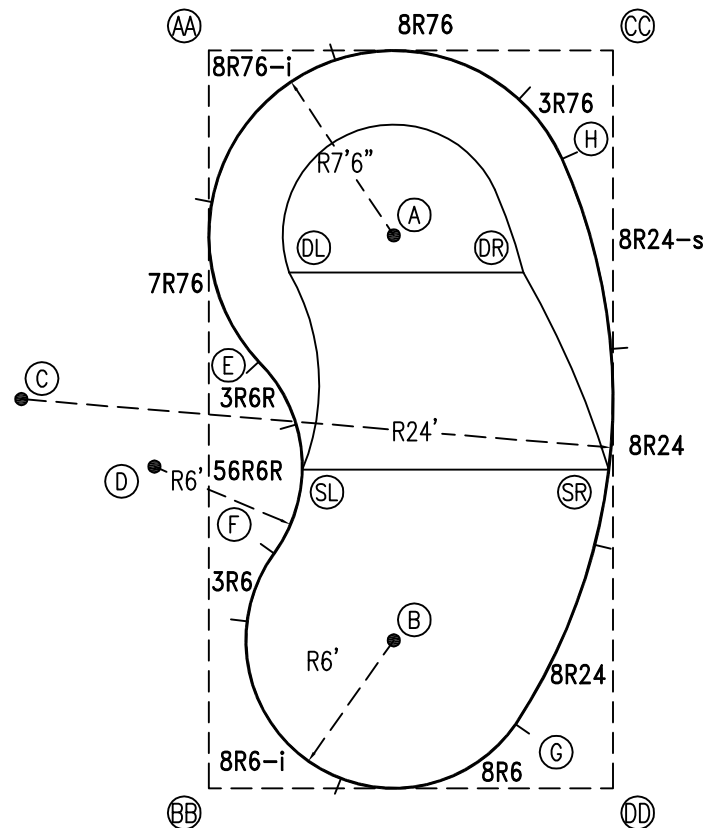
From Point "A" to:-		From Point "B" to:-	
B	16'-5"	B	18'-0"
C	16'-6"	C	18'-0"
D	13'-5 3/4"	D	12'-0"
E	7'-5 3/4"	E	12'-6 3/4"
F	13'-9 1/4"	F	6'-0"
G	20'-5 1/4"	G	6'-0"
H	7'-5 3/4"	H	20'-8 1/4"
SL	10'-2 1/4"	SL	7'-10 1/4"
SR	12'-10 3/4"	SR	11'-1 1/2"
DL	4'-5 3/4"	DL	15'-6 1/4"
DR	5'-5 1/2"	DR	15'-9 3/4"

NOTICE

SWIMMING POOLS AND ACCESSORIES (INCLUDING DIVING BOARDS) ARE DANGEROUS WHEN IMPROPERLY USED OR INSTALLED. IT IS THE RESPONSIBILITY OF MUNICIPAL OFFICIALS, BUILDERS AND POOL OWNERS TO ADHERE TO ALL SAFETY RECOMMENDATIONS AND STANDARDS ISSUED BY THE POOL & HOT TUB COUNCIL, LOCAL AUTHORITIES AND EQUIPMENT MANUFACTURERS. PLEASE REFER TO DIVING BOARD MANUFACTURERS FOR CORRECT POSITIONING AND INSTALLATION OF DIVING EQUIPMENT.

*ALL DIMENSIONS ARE FINISHED





EXTERNAL INSTALLATION DATA

AA TO:	BB TO:	CC TO:	DD TO:
AA --	AA 29'-11"	AA 16'-4 3/4"	AA 34'-1 1/2"
BB --	BB --	BB 34'-1 1/2"	BB 16'-4 3/4"
CC --	CC --	CC --	CC 29'-11"
A 10'-7 1/4"	A 23'-7 3/4"	A 11'-7 1/2"	A 24'-1 1/2"
B 25'-0 3/4"	B 9'-7 1/4"	B 25'-6 1/4"	B 10'-8 3/4"
C 16'-0 1/2"	C 17'-6 1/4"	C 27'-10 1/4"	C 28'-8 3/4"
D 17'-0 1/4"	D 13'-2 3/4"	D 25'-1 1/4"	D 22'-8 3/4"
E 12'-9 1/4"	E 17'-5"	E 19'-1 1/2"	E 22'-5 3/4"
F 20'-6 3/4"	F 9'-10 1/2"	F 24'-7 1/4"	F 16'-8 3/4"
G 30'-0 1/4"	G 12'-8 1/2"	G 27'-7 1/4"	G 4'-8 3/4"
H 14'-11 3/4"	H 29'-3 1/4"	H 4'-10 1/4"	H 25'-7 1/4"
SL 17'-5"	SL 13'-5 1/2"	SL 21'-1 3/4"	SL 18'-0 1/2"
SR 23'-5 3/4"	SR 20'-8 3/4"	SR 17'-0"	SR 12'-11"
DL 9'-6 3/4"	DL 21'-2"	DL 15'-11"	DL 24'-8 1/2"
DR 15'-7 1/4"	DR 24'-6"	DR 9'-8 1/2"	DR 21'-2 3/4"

DIAGONALS

From Point "E" to:-		From Point "F" to:-	
F	7'-9 5/8"	F	
G	18'-0 3/8"	G	12'-0"
H	14'-9 5/8"	H	19'-9 3/4"

NOTICE

SWIMMING POOLS AND ACCESSORIES (INCLUDING DIVING BOARDS) ARE DANGEROUS WHEN IMPROPERLY USED OR INSTALLED. IT IS THE RESPONSIBILITY OF MUNICIPAL OFFICIALS, BUILDERS AND POOL OWNERS TO ADHERE TO ALL SAFETY RECOMMENDATIONS AND STANDARDS ISSUED BY THE POOL & HOT TUB COUNCIL, LOCAL AUTHORITIES AND EQUIPMENT MANUFACTURERS. PLEASE REFER TO DIVING BOARD MANUFACTURERS FOR CORRECT POSITIONING AND INSTALLATION OF DIVING EQUIPMENT.

