

MISCELLANEOUS INFORMATION

PERIMETER:	74'6"
SURFACE AREA:	353 SQ FT
VOLUME:	7779 IMP GALS 35394 LITER

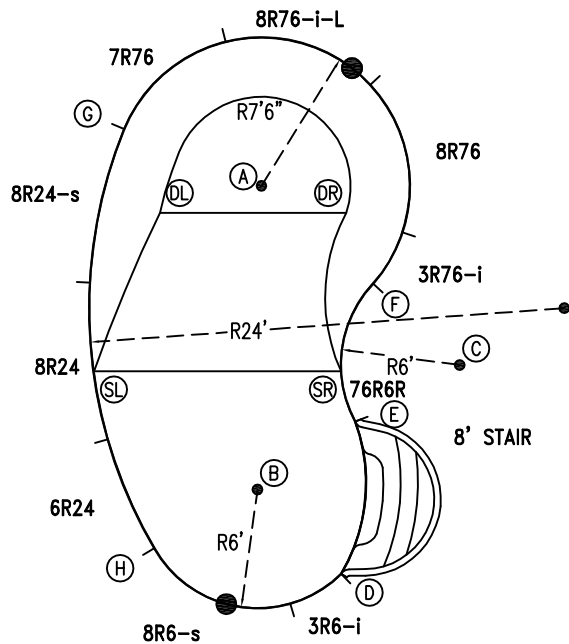
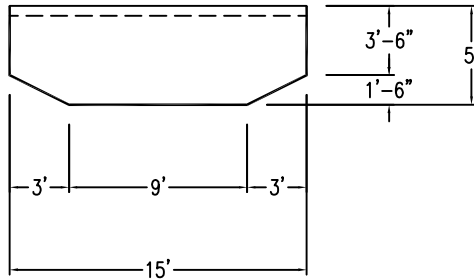
CONCRETE DECK INFO

WIDTH	AREA	NET INCREASES FOR:			
		STEPS	DIVING	SLIDE	ROLLER
2'	162	13	27	24	10
2'6"	206	17	31	20	10
3'	252	20	36	16	10

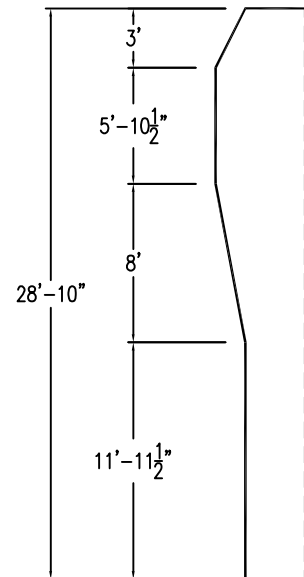
All Figures Represent "Sq Ft"

PARTS LIST

CODE	QTY	DESCRIPTION
8R6-L	1	8' Light x 6' Radius
3R6-i	1	3' Return x 6' Radius
8' STAIR	1	8' STAIR
76R6R	1	7'6" Plain x 6' Reverse Radius
3R76-i	1	3' Return x 7'6" Radius
8R76	1	8' Plain x 7'6" Radius
8R76-i-L	1	8' Return & Light x 7'6" Radius
7R76	1	7' Plain x 7'6" Radius
8R24-s	1	8' Skimmer x 24' Radius
8R24	1	8' Plain x 24' Radius
6R24	1	6' Plain x 24' Radius
AF	11	A-Frame
S	22	Stakes
NB	66	Nuts & Bolts

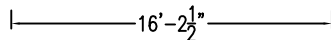


6" WATER LINE

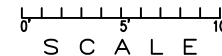


INSTALLATION DATA

From Point "A" to:-		From Point "B" to:-	
B	15'-4"	B	11'-11 3/4"
C	13'-5 3/4"	C	6'-0"
D	20'-0"	D	6'-0"
E	12'-9 1/2"	E	11'-11"
F	7'-5 3/4"	F	19'-5"
G	7'-5 3/4"	G	6'-0"
H	19'-1"	H	10'-2 1/4"
SL	12'-7 1/2"	SL	7'-3 3/4"
SR	10'-2 1/4"	DL	14'-9 3/4"
DL	5'-3 3/4"	DR	14'-8 1/4"
DR	4'-5 3/4"		



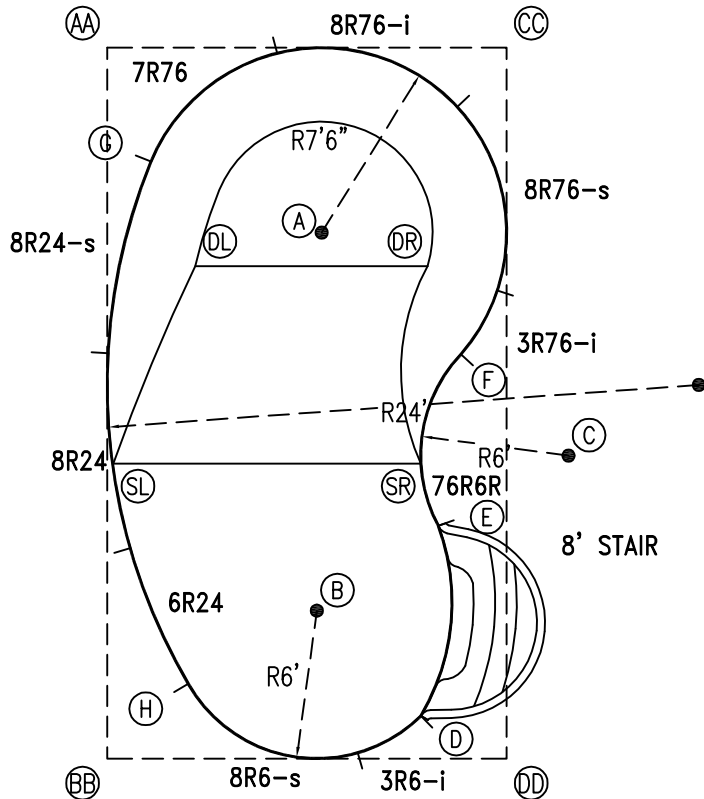
*ALL DIMENSIONS ARE FINISHED



NOTICE

SWIMMING POOLS AND ACCESSORIES (INCLUDING DIVING BOARDS) ARE DANGEROUS WHEN IMPROPERLY USED OR INSTALLED. IT IS THE RESPONSIBILITY OF MUNICIPAL OFFICIALS, BUILDERS AND POOL OWNERS TO ADHERE TO ALL SAFETY RECOMMENDATIONS AND STANDARDS ISSUED BY THE POOL & HOT TUB COUNCIL, LOCAL AUTHORITIES AND EQUIPMENT MANUFACTURERS. PLEASE REFER TO DIVING BOARD MANUFACTURERS FOR CORRECT POSITIONING AND INSTALLATION OF DIVING EQUIPMENT.

PERIMETER: 74'6"

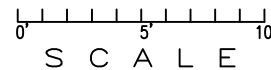


EXTERNAL INSTALLATION DATA

AA TO:	BB TO:	CC TO:	DD TO:
AA --	AA 28'-10"	AA 16'-2 1/4"	AA 33'-0 3/4"
BB --	BB --	BB 33'-0 3/4"	BB 16'-2 1/4"
CC --	CC --	CC --	CC 28'-10"
A 11'-5 3/4"	A 23'-0 1/2"	A 10'-7 1/4"	A 22'-7 1/4"
B 24'-4 1/2"	B 10'-4 3/4"	B 24'-1 1/4"	B 9'-9"
C 24'-11 3/4"	C 22'-4 1/2"	C 16'-8 3/4"	C 12'-6 1/2"
D 29'-11 1/4"	D 12'-10"	D 27'-3 3/4"	D 3'-10 1/2"
E 23'-7"	E 16'-5"	E 19'-7"	E 9'-10"
F 18'-11 3/4"	F 21'-9 1/2"	F 12'-6 3/4"	F 16'-6"
G 4'-11 1/2"	G 24'-3 1/4"	G 15'-1 3/4"	G 28'-2 1/4"
H 26'-0 1/4"	H 4'-5 1/2"	H 28'-10 1/4"	H 13'-3"
SL 16'-10 1/2"	SL 11'-11 1/2"	SL 23'-2 1/2"	SL 19'-11 1/4"
SR 21'-1 1/2"	SR 17'-5 1/2"	SR 17'-2 3/4"	SR 12'-5 1/2"
DL 9'-6 1/2"	DL 20'-3 1/2"	DL 15'-5"	DL 23'-7 1/2"
DR 15'-8 1/2"	DR 23'-9 3/4"	DR 9'-5"	DR 20'-2 3/4"

NOTICE

SWIMMING POOLS AND ACCESSORIES (INCLUDING DIVING BOARDS) ARE DANGEROUS WHEN IMPROPERLY USED OR INSTALLED. IT IS THE RESPONSIBILITY OF MUNICIPAL OFFICIALS, BUILDERS AND POOL OWNERS TO ADHERE TO ALL SAFETY RECOMMENDATIONS AND STANDARDS ISSUED BY THE POOL & HOT TUB COUNCIL, LOCAL AUTHORITIES AND EQUIPMENT MANUFACTURERS. PLEASE REFER TO DIVING BOARD MANUFACTURERS FOR CORRECT POSITIONING AND INSTALLATION OF DIVING EQUIPMENT.



HIGHBURY POOLS LTD KIDNEY — RIGHT 15 x 16 x 30

DRAWING REFERENCE #
15-15-30-2D

DRAWN BY: BKJ
REV. 12 SEPT 2014
SHEET 2 OF 2