

**MISCELLANEOUS INFORMATION**

PERIMETER:	83'6"
SURFACE AREA:	445 SQ FT
VOLUME:	13685 IMP GALS 62267 LITER

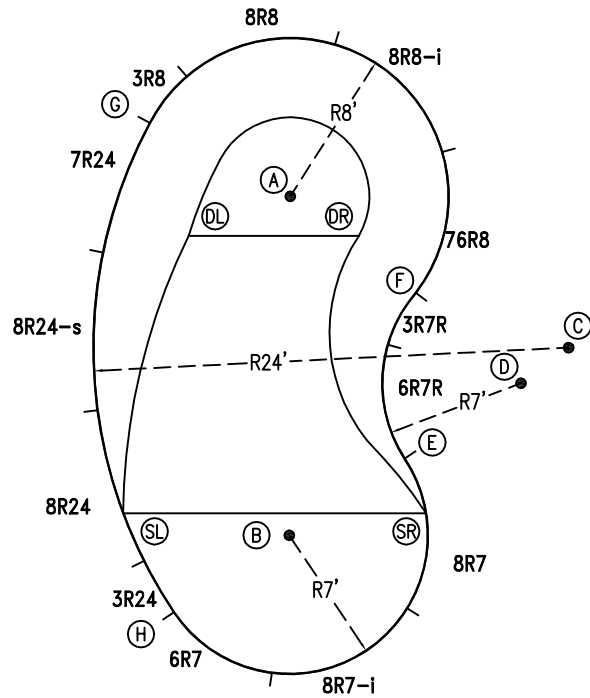
**CONCRETE DECK INFO**

WIDTH	AREA	NET INCREASES FOR:			
		STEPS	DIVING	SLIDE	ROLLER
2'	180	13	27	24	10
2'6"	229	17	31	20	10
3'	279	20	36	16	10

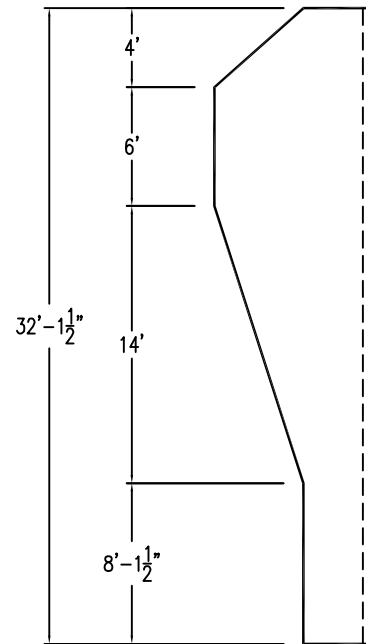
All Figures Represent "Sq Ft"

**PARTS LIST**

CODE	QTY	DESCRIPTION
3R8	1	3' Plain x 8' Radius
8R8	1	8' Plain x 8' Radius
8R8-i	1	8' Return x 8' Radius
76R8	1	7'6" Plain x 8' Radius
3R7R	1	3' Plain x 7' Reverse Radius
6R7R	1	6' Plain x 7' Reverse Radius
8R7	1	8' Plain x 7' Radius
8R7-i	1	8' Return x 7' Radius
6R7	1	6' Plain x 7' Radius
3R24	1	3' Plain x 24' Radius
8R24	1	8' Plain x 24' Radius
8R24-s	1	8' Skimmer x 24' Radius
7R24	1	7' Plain x 24' Radius
AF	13	A-Frame
S	26	Stakes
NB	78	Nuts & Bolts



6" WATER LINE



**INSTALLATION DATA**

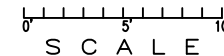
From Point "A" to:-		From Point "B" to:-	
B	17'-1 1/2"	B	17'-0"
C	16'-0"	C	17'-0"
D	14'-11 3/4"	D	14'-0"
E	14'-5 1/4"	E	7'-0"
F	8'-0"	F	13'-9 3/4"
G	8'-0"	G	21'-11 3/4"
H	21'-9 1/2"	H	7'-0"
SL	18'-1"	SL	8'-5 1/2"
SR	17'-4 3/4"	SR	7'-0"
DL	5'-6"	DL	15'-11 1/2"
DR	4'-0"	DR	15'-6 1/4"

**NOTICE**

SWIMMING POOLS AND ACCESSORIES (INCLUDING DIVING BOARDS) ARE DANGEROUS WHEN IMPROPERLY USED OR INSTALLED. IT IS THE RESPONSIBILITY OF MUNICIPAL OFFICIALS, BUILDERS AND POOL OWNERS TO ADHERE TO ALL SAFETY RECOMMENDATIONS AND STANDARDS ISSUED BY THE POOL & HOT TUB COUNCIL, LOCAL AUTHORITIES AND EQUIPMENT MANUFACTURERS. PLEASE REFER TO DIVING BOARD MANUFACTURERS FOR CORRECT POSITIONING AND INSTALLATION OF DIVING EQUIPMENT.

17'-11 1/2"

\*ALL DIMENSIONS ARE FINISHED



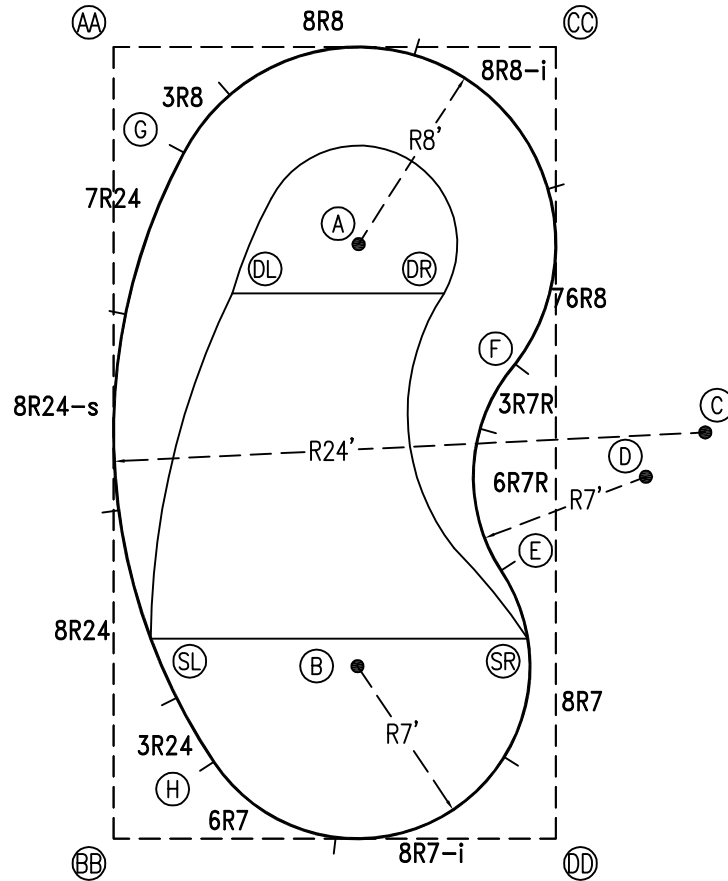
**HIGHBURY POOLS LTD**

KIDNEY - RIGHT 16 x 18 x 32

DRAWING REFERENCE #  
15-16-32-2

DRAWN BY: JK  
REV. 26 JUN 13  
SHEET 1 OF 2

PERIMETER: 83'6"



EXTERNAL INSTALLATION DATA

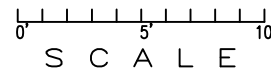
AA TO:	BB TO:	CC TO:	DD TO:
AA ---	AA 32'-1 1/2"	AA 17'-11 1/4"	AA 36'-9 1/2"
BB ---	BB ---	BB 36'-9 1/2"	BB 17'-11 1/4"
CC ---	CC ---	CC ---	CC 32'-1 1/2"
A 12'-9"	A 26'-1"	A 11'-3 3/4"	A 25'-4 3/4"
B 27'-0"	B 12'-1 1/4"	B 26'-4 1/2"	B 10'-7 3/4"
C 28'-7 3/4"	C 29'-1 1/4"	C 16'-9 1/4"	C 17'-6 3/4"
D 27'-9"	D 26'-1 1/4"	D 17'-9 3/4"	D 15'-1 1/2"
E 26'-5"	E 19'-1 1/4"	E 21'-4 1/4"	E 11'-1 1/4"
F 20'-9"	F 25'-2 1/2"	F 12'-11 1/2"	F 19'-3 3/4"
G 5'-1 3/4"	G 27'-11 3/4"	G 15'-8 1/4"	G 31'-7 3/4"
H 29'-3 1/4"	H 5'-1 1/2"	H 32'-1 3/4"	H 14'-2 1/2"
SL 24'-0 1/2"	SL 8'-3"	SL 29'-1"	SL 18'-3 3/4"
SR 29'-3 1/2"	SR 18'-7 3/4"	SR 24'-0 1/4"	SR 8'-2 1/4"
DL 11'-1"	DL 22'-7 1/2"	DL 16'-6"	DL 25'-8 3/4"
DR 16'-8 1/2"	DR 25'-10 1/4"	DR 10'-11 3/4"	DR 22'-6 3/4"

DIAGONALS

From Point "E" to:-	From Point "F" to:-
F 8'-4 3/4"	F
G 21'-3 3/8"	G 15'-11 1/4"
H 14'-0"	H 20'-2 7/8"

NOTICE

SWIMMING POOLS AND ACCESSORIES (INCLUDING DIVING BOARDS) ARE DANGEROUS WHEN IMPROPERLY USED OR INSTALLED. IT IS THE RESPONSIBILITY OF MUNICIPAL OFFICIALS, BUILDERS AND POOL OWNERS TO ADHERE TO ALL SAFETY RECOMMENDATIONS AND STANDARDS ISSUED BY THE POOL & HOT TUB COUNCIL, LOCAL AUTHORITIES AND EQUIPMENT MANUFACTURERS. PLEASE REFER TO DIVING BOARD MANUFACTURERS FOR CORRECT POSITIONING AND INSTALLATION OF DIVING EQUIPMENT.



HIGHBURY POOLS LTD

KIDNEY - RIGHT 16 x 18 x 32

DRAWING REFERENCE #  
15-16-32-2

DRAWN BY: JK  
REV. 26 JUN 13  
SHEET 2 OF 2