

MISCELLANEOUS INFORMATION

PERIMETER:	86'6"
SURFACE AREA:	492 SQ FT
VOLUME:	15220 IMP GALS 69251 LITER

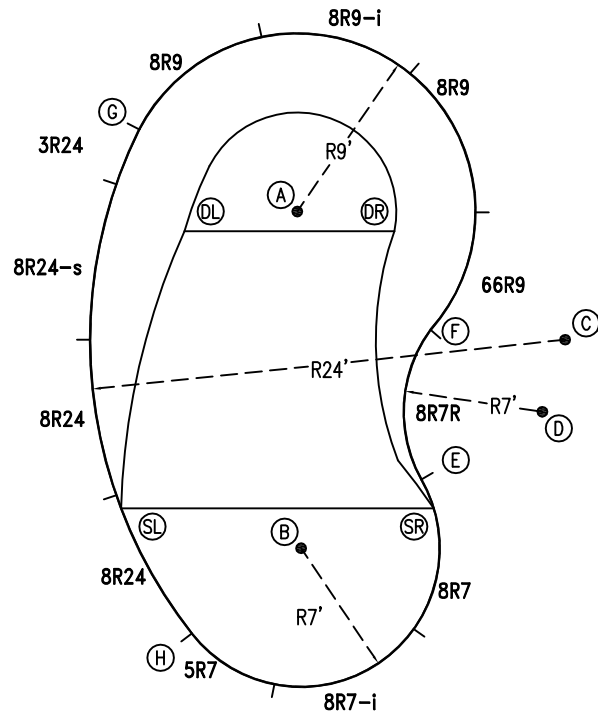
CONCRETE DECK INFO

WIDTH	AREA	NET INCREASES FOR:			
		STEPS	DIVING	SLIDE	ROLLER
2'	185	13	27	24	10
2'6"	236	17	31	20	10
3'	287	20	36	16	10

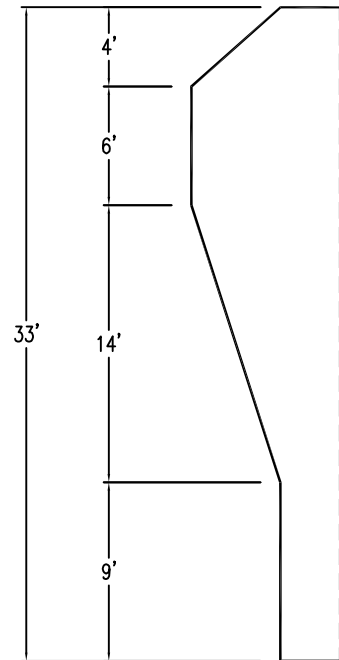
All Figures Represent "Sq Ft"

PARTS LIST

CODE	QTY	DESCRIPTION
8R9	2	8' Plain x 9' Radius
8R9-i	1	8' Return x 9' Radius
66R9	1	6'6" Plain x 9' Radius
8R7R	1	8' Plain x 7' Reverse Radius
8R7	1	8' Plain x 7' Radius
8R7-i	1	8' Return x 7' Radius
5R7	1	5' Plain x 7' Radius
8R24	2	8' Plain x 24' Radius
8R24-s	1	8' Skimmer x 24' Radius
3R24	1	3' Plain x 24' Radius
AF	12	A-Frame
S	24	Stakes
NB	72	Nuts & Bolts

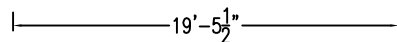


6" WATER LINE



INSTALLATION DATA

From Point "A" to:-		From Point "B" to:-	
B	17'-0 1/4"	B	17'-0"
C	15'-0"	C	17'-0"
D	15'-11 3/4"	D	14'-0"
E	14'-10 3/4"	E	7'-0"
F	9'-0"	F	12'-9 3/4"
G	9'-0"	G	22'-8 1/4"
H	21'-11 3/4"	H	7'-0"
SL	17'-5 1/4"	SL	9'-3 3/4"
SR	16'-6"	SR	7'-0"
DL	5'-9 1/2"	DL	17'-0 3/4"
DR	5'-0"	DR	16'-8 1/4"



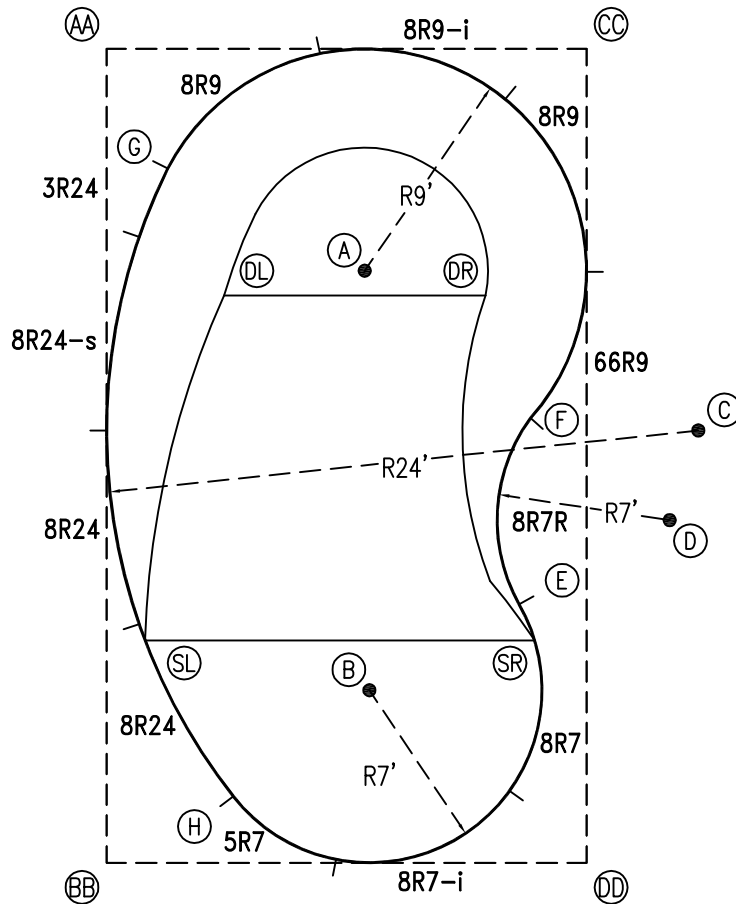
*ALL DIMENSIONS ARE FINISHED



NOTICE

SWIMMING POOLS AND ACCESSORIES (INCLUDING DIVING BOARDS) ARE DANGEROUS WHEN IMPROPERLY USED OR INSTALLED. IT IS THE RESPONSIBILITY OF MUNICIPAL OFFICIALS, BUILDERS AND POOL OWNERS TO ADHERE TO ALL SAFETY RECOMMENDATIONS AND STANDARDS ISSUED BY THE POOL & HOT TUB COUNCIL, LOCAL AUTHORITIES AND EQUIPMENT MANUFACTURERS. PLEASE REFER TO DIVING BOARD MANUFACTURERS FOR CORRECT POSITIONING AND INSTALLATION OF DIVING EQUIPMENT.

PERIMETER: 86'6"



EXTERNAL INSTALLATION DATA

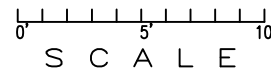
AA TO:	BB TO:	CC TO:	DD TO:
AA ---	AA 33'-0"	AA 19'-5 1/2"	AA 38'-3 3/4"
BB ---	BB ---	BB 38'-3 3/4"	BB 19'-5 1/2"
CC ---	CC ---	CC ---	CC 33'-0"
A 13'-9 1/2"	A 26'-2 1/4"	A 12'-8 3/4"	A 25'-7 3/4"
B 28'-1 1/4"	B 12'-9"	B 27'-5 1/2"	B 11'-3"
C 28'-6 3/4"	C 29'-8 3/4"	C 16'-1 1/2"	C 18'-1 1/4"
D 29'-9 1/4"	D 26'-8 3/4"	D 19'-4 3/4"	D 14'-3 1/2"
E 28'-0 3/4"	E 19'-8 3/4"	E 22'-8 1/4"	E 10'-9 3/4"
F 22'-9 1/2"	F 24'-11"	F 15'-1 3/4"	F 18'-2"
G 5'-5 1/4"	G 28'-3 1/4"	G 17'-7 3/4"	G 32'-10 1/2"
H 30'-9"	H 5'-9 1/2"	H 33'-6 1/4"	H 14'-6 3/4"
SL 24'-0 1/2"	SL 9'-1 3/4"	SL 29'-11 1/4"	SL 20'-0 1/2"
SR 29'-7 1/2"	SR 19'-6 3/4"	SR 24'-1"	SR 9'-3"
DL 11'-0 3/4"	DL 23'-6"	DL 17'-9 1/4"	DL 27'-3 3/4"
DR 18'-4"	DR 27'-8"	DR 10'-9 3/4"	DR 23'-4 1/2"

DIAGONALS

From Point "E" to:-	From Point "F" to:-
F 7'-6 7/8"	F
G 22'-8 1/2"	G 17'-10 3/8"
H 13'-11 5/8"	H 19'-6 1/8"

NOTICE

SWIMMING POOLS AND ACCESSORIES (INCLUDING DIVING BOARDS) ARE DANGEROUS WHEN IMPROPERLY USED OR INSTALLED. IT IS THE RESPONSIBILITY OF MUNICIPAL OFFICIALS, BUILDERS AND POOL OWNERS TO ADHERE TO ALL SAFETY RECOMMENDATIONS AND STANDARDS ISSUED BY THE POOL & HOT TUB COUNCIL, LOCAL AUTHORITIES AND EQUIPMENT MANUFACTURERS. PLEASE REFER TO DIVING BOARD MANUFACTURERS FOR CORRECT POSITIONING AND INSTALLATION OF DIVING EQUIPMENT.



HIGHBURY POOLS LTD

KIDNEY - RIGHT 18 x 19 x 33

DRAWING REFERENCE #
15-18-33-2

DRAWN BY: JK
REV. 26 JUN 13
SHEET 2 OF 2