

**MISCELLANEOUS INFORMATION**

PERIMETER:	101'
SURFACE AREA:	671 SQ FT
VOLUME:	19915 IMP GALS 90613 LITER

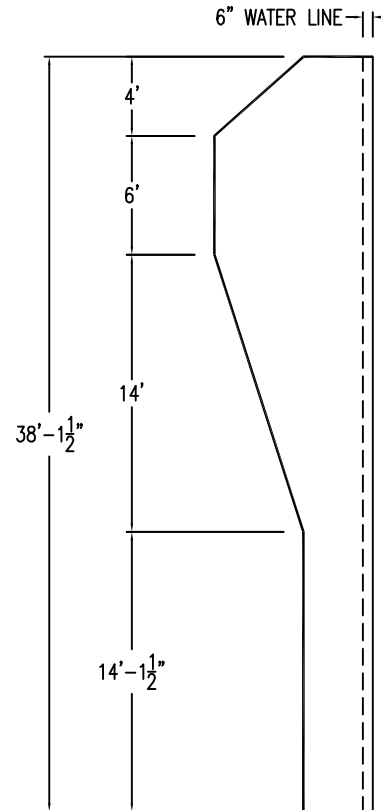
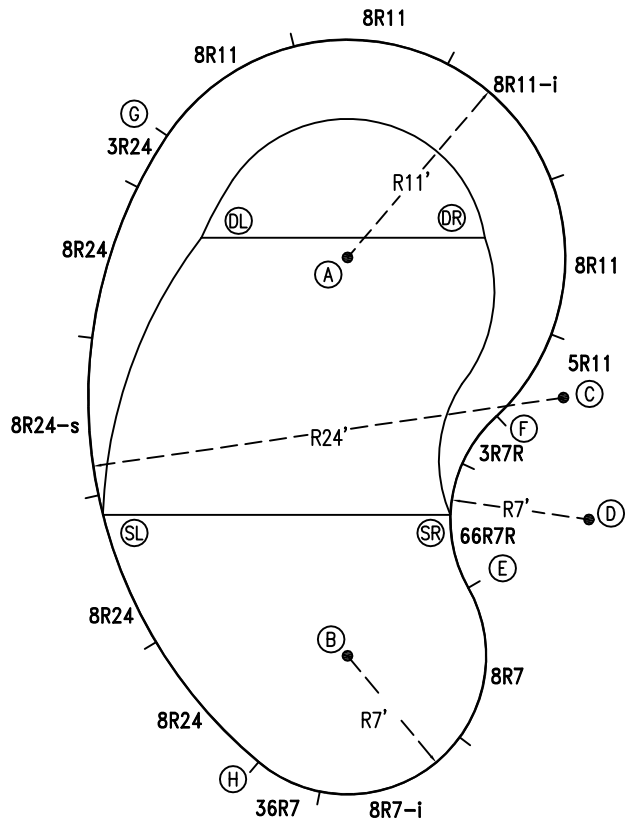
**CONCRETE DECK INFO**

WIDTH	AREA	NET INCREASES FOR:			
		STEPS	DIVING	SLIDE	ROLLER
2'	215	13	27	24	10
2'6"	272	17	31	20	10
3'	331	20	36	16	10

All Figures Represent "Sq Ft"

**PARTS LIST**

CODE	QTY	DESCRIPTION
8R11	3	8' Plain x 11' Radius
8R11-i	1	8' Return x 11' Radius
5R11	1	5' Plain x 11' Radius
3R7R	1	3' Plain x 7' Reverse Radius
66R7R	1	6'6" Plain x 7' Reverse Radius
8R7	1	8' Plain x 7' Radius
8R7-i	1	8' Return x 7' Radius
36R7	1	3'6" Plain x 7' Radius
8R24	3	8' Plain x 24' Radius
8R24-s	1	8' Skimmer x 24' Radius
3R24	1	3' Plain x 24' Radius
AF	15	A-Frame
S	30	Stakes
NB	90	Nuts & Bolts



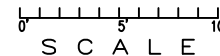
**INSTALLATION DATA**

From Point "A" to:-		From Point "B" to:-	
B	20'-1 1/2"	B	17'-0"
C	13'-0"	C	17'-0"
D	18'-0"	D	14'-0"
E	17'-9"	E	7'-0"
F	11'-0"	F	14'-3"
G	11'-0"	G	27'-9 3/4"
H	25'-10 1/2"	H	7'-0"
SL	17'-11 1/4"	SL	14'-3"
SR	14'-0"	SR	8'-9 3/4"
DL	7'-5 1/2"	DL	22'-4 1/2"
DR	7'-0"	DR	22'-2 3/4"

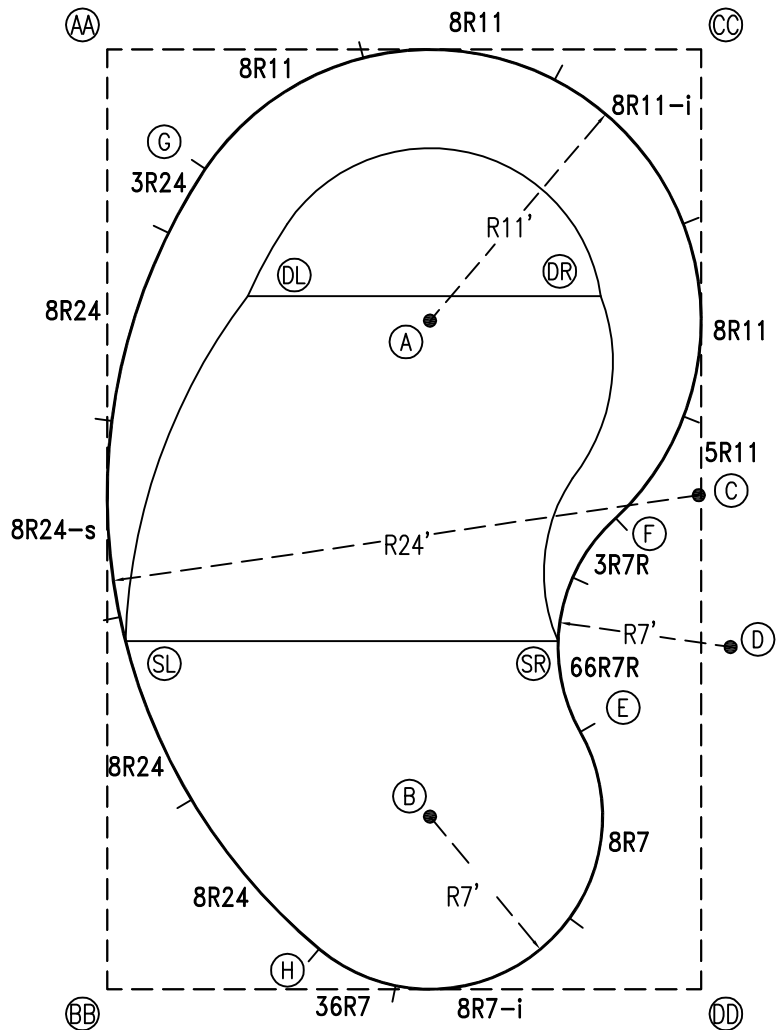
**NOTICE**

SWIMMING POOLS AND ACCESSORIES (INCLUDING DIVING BOARDS) ARE DANGEROUS WHEN IMPROPERLY USED OR INSTALLED. IT IS THE RESPONSIBILITY OF MUNICIPAL OFFICIALS, BUILDERS AND POOL OWNERS TO ADHERE TO ALL SAFETY RECOMMENDATIONS AND STANDARDS ISSUED BY THE POOL & HOT TUB COUNCIL, LOCAL AUTHORITIES AND EQUIPMENT MANUFACTURERS. PLEASE REFER TO DIVING BOARD MANUFACTURERS FOR CORRECT POSITIONING AND INSTALLATION OF DIVING EQUIPMENT.

\*ALL DIMENSIONS ARE FINISHED



PERIMETER: 101'



EXTERNAL INSTALLATION DATA

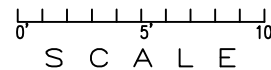
AA TO:	BB TO:	CC TO:	DD TO:
AA --	AA 38'-1 1/2"	AA 24'-1"	AA 45'-1 1/4"
BB --	BB --	BB 45'-1 1/4"	BB 24'-1"
CC --	CC --	CC --	CC 38'-1 1/2"
A 17'-1 1/4"	A 30'-1 1/2"	A 15'-6 1/2"	A 29'-3 1/4"
B 33'-9 1/4"	B 14'-10 1/4"	B 33'-0"	B 13'-0 1/2"
C 30'-0 1/2"	C 31'-3 1/4"	C 18'-0 3/4"	C 20'-0 1/2"
D 35'-0 1/4"	D 28'-10"	D 24'-3 1/4"	D 13'-11 1/4"
E 33'-8 1/4"	E 21'-10 1/4"	E 28'-1 1/4"	E 11'-6 1/4"
F 28'-0 1/2"	F 28'-1 1/2"	F 19'-3 3/4"	F 19'-5"
G 6'-3 1/4"	G 33'-6 1/4"	G 20'-8 1/4"	G 38'-10 1/2"
H 37'-5 3/4"	H 8'-9"	H 39'-7 3/4"	H 15'-7"
SL 24'-0"	SL 14'-1 3/4"	SL 33'-5 3/4"	SL 27'-3 1/2"
SR 30'-2"	SR 23'-1 1/4"	SR 24'-8 1/4"	SR 15'-3 1/4"
DL 11'-6"	DL 28'-8 1/4"	DL 20'-11 1/4"	DL 33'-7 1/4"
DR 22'-4 1/2"	DR 34'-6 1/4"	DR 10'-9 1/2"	DR 28'-5"

DIAGONALS

From Point "E" to:-	From Point "F" to:-
F 8'-9 1/2"	F
G 27'-5 1/4"	G 21'-10 3/8"
H 13'-9 1/4"	H 21'-2 5/8"

NOTICE

SWIMMING POOLS AND ACCESSORIES (INCLUDING DIVING BOARDS) ARE DANGEROUS WHEN IMPROPERLY USED OR INSTALLED. IT IS THE RESPONSIBILITY OF MUNICIPAL OFFICIALS, BUILDERS AND POOL OWNERS TO ADHERE TO ALL SAFETY RECOMMENDATIONS AND STANDARDS ISSUED BY THE POOL & HOT TUB COUNCIL, LOCAL AUTHORITIES AND EQUIPMENT MANUFACTURERS. PLEASE REFER TO DIVING BOARD MANUFACTURERS FOR CORRECT POSITIONING AND INSTALLATION OF DIVING EQUIPMENT.



HIGHBURY POOLS LTD

KIDNEY - RIGHT 22 x 24 x 38

DRAWING REFERENCE #  
15-22-38-2

DRAWN BY: JK  
REV. 26 JUN 13  
SHEET 2 OF 2