

MISCELLANEOUS INFORMATION

PERIMETER:-	101'
SURFACE AREA:	671.2 SQ FT
VOLUME:	20504 IMP GALS 93293 L

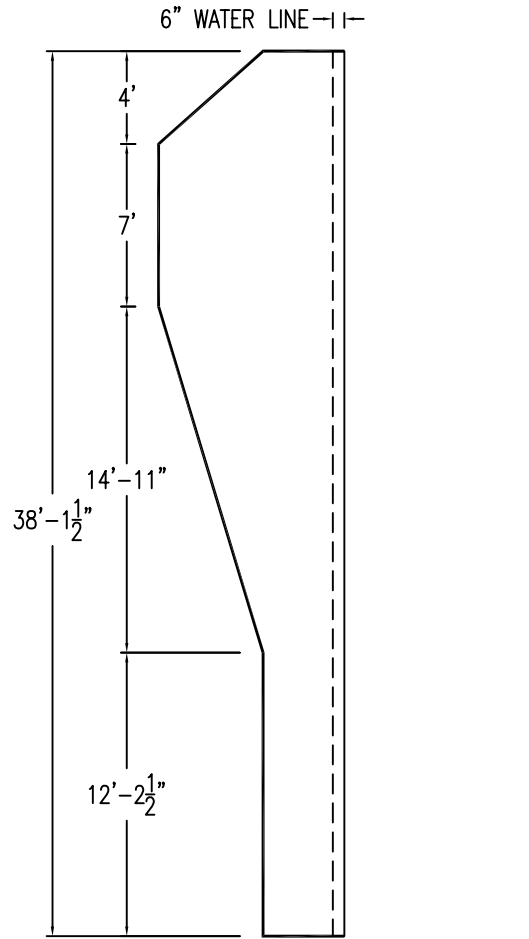
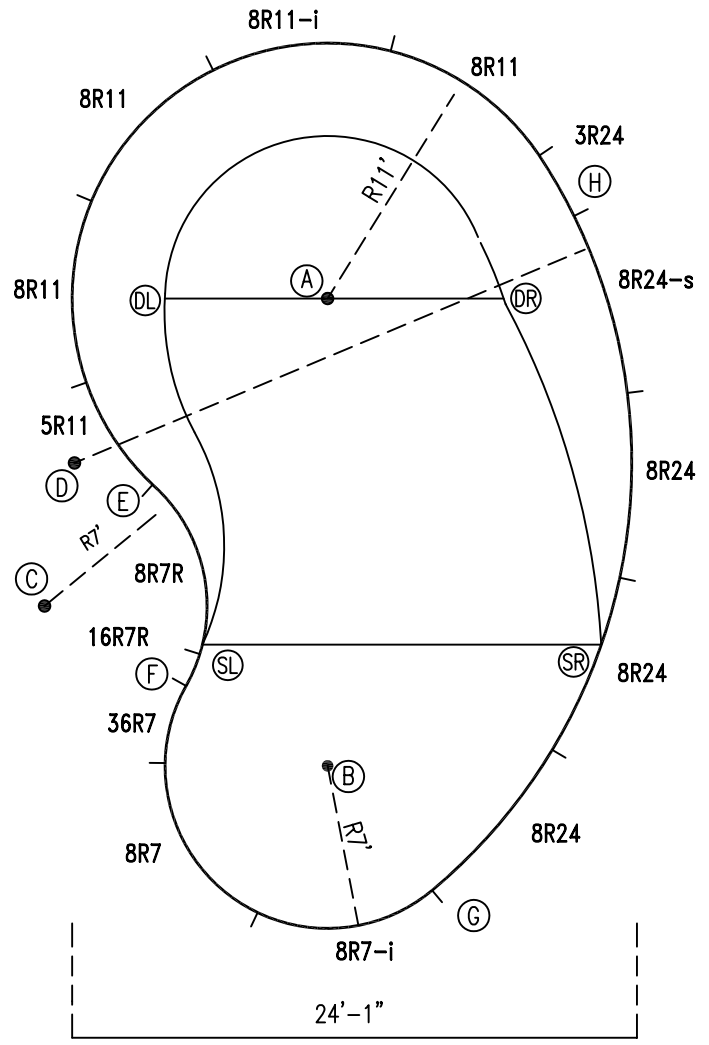
CONCRETE DECK INFO

WIDTH	AREA	NET INCREASES FOR:			
		STEPS	DIVING	SLIDE	ROLLER
2'	215	13	27	24	10
2'6"	272	17	31	20	10
3'	331	20	36	16	10

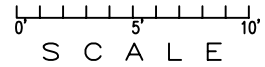
All Figures Represent "Sq Ft"

PARTS LIST

CODE	QTY	DESCRIPTION
8R24-s	1	8' Skimmer x 24' Radius
8R11-i	1	8' Return x 11' Radius
8R7-i	1	8' Return x 7' Radius
8R24	3	8' Plain x 24' Radius
3R24	1	3' Plain x 24' Radius
8R11	3	8' Plain x 11' Radius
5R11	1	5' Plain x 11' Radius
8R7	1	8' Plain x 7' Radius
36R7	1	3'6" Plain x 7' Radius
8R7R	1	8' Plain x 7'Reverse Radius
16R7R	1	1'6" Plain x 7'Reverse Radius
AF	15	A-Frame
S	30	Stake
NB	90	Nuts & Bolts



*ALL DIMENSIONS ARE FINISHED



INSTALLATION DATA

From Point "A" to:-		From Point "B" to:-	
B	20'-1 1/2"	B	
C	18'-0"	C	14'-0"
D	13'-0"	D	17'-0"
E	11'-0"	E	14'-3 1/8"
F	17'-9 1/8"	F	7'-0"
G	25'-10 5/8"	G	7'-0"
H	11'-2 1/4"	H	25'-11 3/8"
SL	15'-10 1/4"	SL	7'-6"
SR	19'-0"	SR	12'-10 5/8"
DL	7'-0 1/8"	DL	21'-3 3/4"
DR	7'-6 7/8"	DR	21'-6 1/8"

NOTICE

SWIMMING POOLS AND ACCESSORIES (INCLUDING DIVING BOARDS) ARE DANGEROUS WHEN IMPROPERLY USED OR INSTALLED. IT IS THE RESPONSIBILITY OF MUNICIPAL OFFICIALS, BUILDERS AND POOL OWNERS TO ADHERE TO ALL SAFETY RECOMMENDATIONS AND STANDARDS ISSUED BY THE POOL & HOT TUB COUNCIL, LOCAL AUTHORITIES AND EQUIPMENT MANUFACTURERS. PLEASE REFER TO DIVING BOARD MANUFACTURERS FOR CORRECT POSITIONING AND INSTALLATION OF DIVING EQUIPMENT.

EXTERNAL INSTALLATION DATA

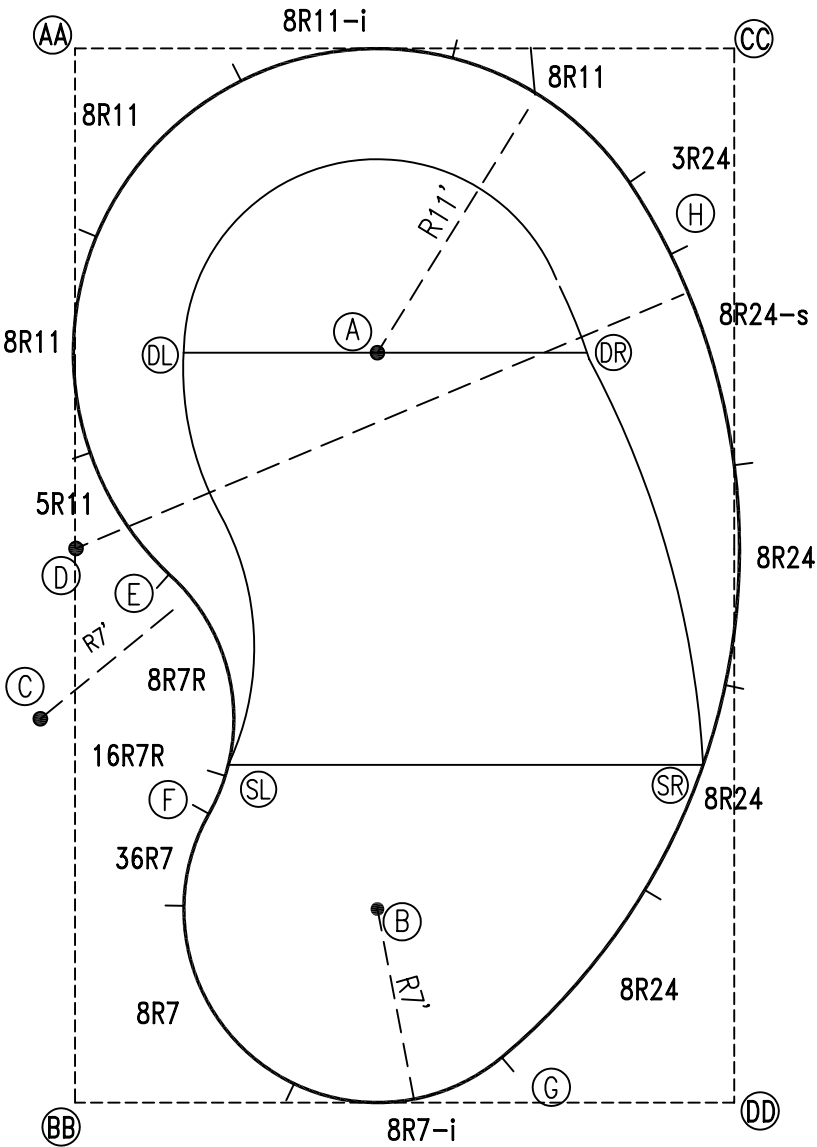
AA TO:	BB TO:	CC TO:	DD TO:
AA	AA 38'-1 5/8"	AA 23'-10 1/8"	AA 44'-11 5/8"
BB	BB ---	BB 44'-11 5/8"	BB 23'-10 1/8"
CC	CC ---	CC ---	CC 38'-1 5/8"
A	A 15'-6 1/4"	A 29'-2 7/8"	A 16'-11 1/2"
B	B 33'-0"	B 12'-11 7/8"	B 33'-8 3/8"
C	C 24'-3 3/8"	C 13'-11 1/4"	C 34'-10 3/4"
D	D 18'-1"	D 20'-0 1/2"	D 29'-10 7/8"
E	E 19'-3 7/8"	E 19'-4 7/8"	E 27'-11 1/8"
F	F 28'-1 3/8"	F 11'-6 1/8"	F 33'-6 7/8"
G	G 39'-7 1/2"	G 15'-6 1/4"	G 37'-5 3/8"
H	H 22'-9 5/8"	H 37'-5 7/8"	H 7'-9 1/2"
SL	SL 26'-6"	SL 13'-5"	SL 31'-8 3/4"
SR	SR 34'-5 5/8"	SR 25'-9 5/8"	SR 25'-11 1/4"
DL	DL 11'-8 1/4"	DL 27'-4 7/8"	DL 22'-9 1/8"
DR	DR 21'-6 1/2"	DR 32'-10 1/8"	DR 12'-2 3/4"

DIAGONALS

E To G:	21'3"
H To F:	26'3"

NOTICE

SWIMMING POOLS AND ACCESSORIES (INCLUDING DIVING BOARDS) ARE DANGEROUS WHEN IMPROPERLY USED OR INSTALLED. IT IS THE RESPONSIBILITY OF MUNICIPAL OFFICIALS, BUILDERS AND POOL OWNERS TO ADHERE TO ALL SAFETY RECOMMENDATIONS AND STANDARDS ISSUED BY THE POOL & HOT TUB COUNCIL, LOCAL AUTHORITIES AND EQUIPMENT MANUFACTURERS. PLEASE REFER TO DIVING BOARD MANUFACTURERS FOR CORRECT POSITIONING AND INSTALLATION OF DIVING EQUIPMENT.



0' 5' 10'
SCALE

HIGHBURY POOLS LTD

KIDNEY - LEFT 22 x 24'1 x 38'2

DRAWING REFERENCE #

15-24-38-1

DRAWN BY: JB

REV. 5 FEB 2007

SHEET 2 OF 2