

MISCELLANEOUS INFORMATION

PERIMETER:-	73'-0"
SURFACE AREA:	287 SQ FT
VOLUME: 6,425 IMP GALS	29,234 L

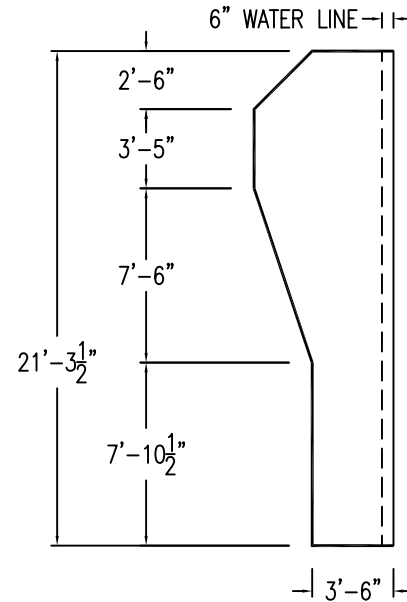
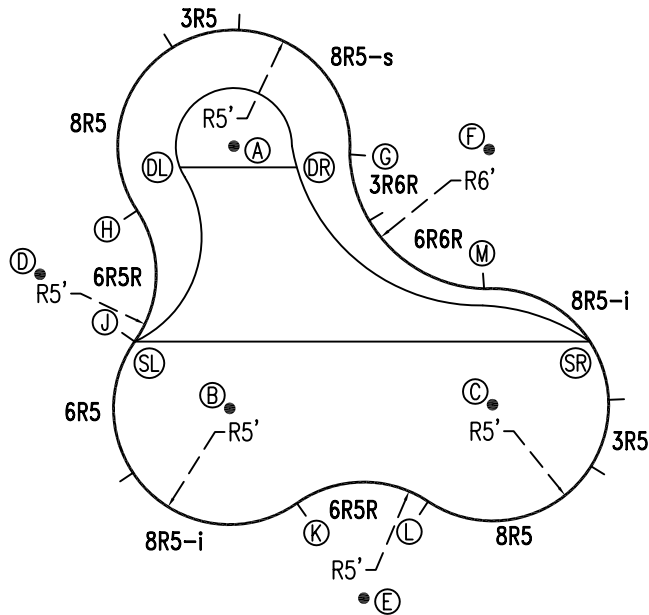
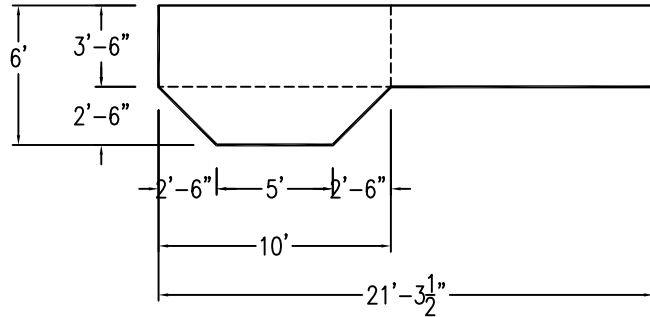
PARTS LIST

CODE	QTY	DESCRIPTION
8R5-s	1	8' Skimmer x 5' Radius
8R5-i	2	8' Inlet x 5' Radius
8R5	2	8' Plain x 5' Radius
6R5	1	6' Plain x 5' Radius
3R5	2	3' Plain x 5' Radius
6R6R	1	6' Plain x 6' Rev Radius
3R6R	1	3' Plain x 6' Rev Radius
6R5R	2	6' Plain x 5' Rev Radius
AF	12	A-Frame
S	24	Stake
NB	72	Nuts & Bolts

CONCRETE DECK INFO

WIDTH	AREA	NET INCREASES FOR:			
		STEPS	DIVING	SLIDE	ROLLER
2'	159	13	27	24	10
2'6"	202	17	31	20	10
3'	247	20	36	16	10

All Figures Represent "Sq Ft"



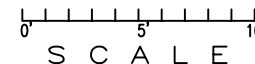
\*ALL DIMENSIONS ARE FINISHED

INSTALLATION DATA

From Point "A" to:-		From Point "B" to:-	
B	11'-3 1/2"	B	11'-3 3/4"
C	15'-8 7/8"	C	11'-3 3/4"
D	10'-0"	D	10'-0"
E	20'-2 7/8"	E	10'-0"
F	10'-11 7/8"	F	15'-9 1/4"
G	5'-0"	G	12'-1 1/8"
H	5'-0"	H	9'-4 7/8"
J	9'-5 1/4"	J	5'-0"
K	15'-7 1/4"	K	5'-0"
L	17'-5 1/8"	L	9'-5 1/8"
M	12'-4 3/4"	M	12'-1 1/4"
SL	9'-5 1/4"	SL	5'-0"
SR	17'-5 7/8"	SR	15'-9 1/4"
DL	2'-6"	DL	10'-7 1/8"
DR	2'-10 1/4"	DR	10'-9 1/4"

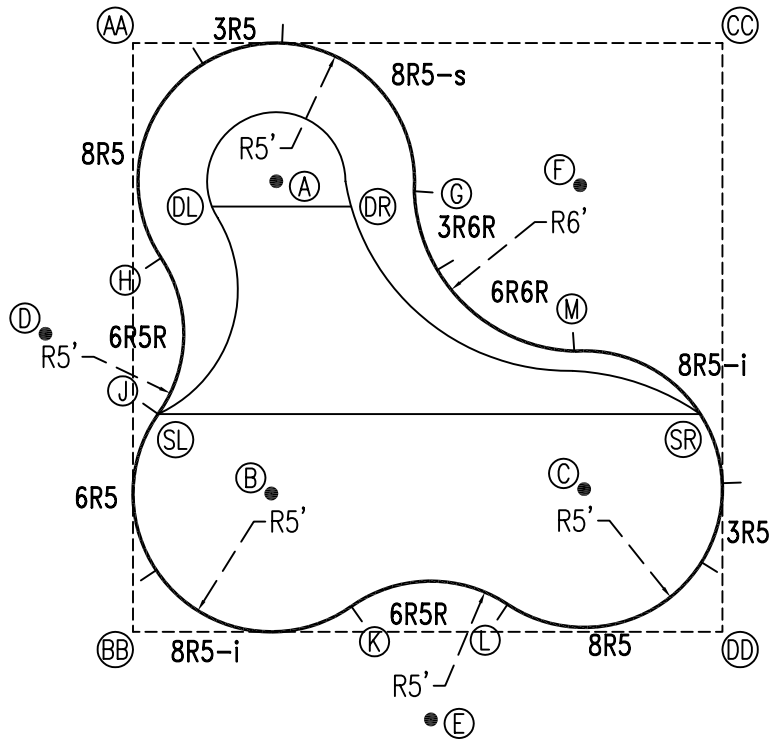
NOTICE

SWIMMING POOLS AND ACCESSORIES (INCLUDING DIVING BOARDS) ARE DANGEROUS WHEN IMPROPERLY USED OR INSTALLED. IT IS THE RESPONSIBILITY OF MUNICIPAL OFFICIALS, BUILDERS AND POOL OWNERS TO ADHERE TO ALL SAFETY RECOMMENDATIONS AND STANDARDS ISSUED BY THE POOL & HOT TUB COUNCIL, LOCAL AUTHORITIES AND EQUIPMENT MANUFACTURERS. PLEASE REFER TO DIVING BOARD MANUFACTURERS FOR CORRECT POSITIONING AND INSTALLATION OF DIVING EQUIPMENT.



EXTERNAL INSTALLATION DATA

AA TO:	BB TO:	CC TO:	DD TO:
AA ---	AA 21'-3 1/2"	AA 21'-3 3/4"	AA 30'-1 3/8"
BB ---	BB ---	BB 30'-1 3/8"	BB 21'-3 3/4"
CC ---	CC ---	CC ---	CC 21'-3 1/2"
A 7'-2 3/8"	A 17'-1 1/8"	A 16'-10 5/8"	A 22'-11"
B 17'-0 1/2"	B 7'-0 7/8"	B 23'-0 5/8"	B 17'-0 5/8"
C 22'-11 1/4"	C 17'-1 1/4"	C 16'-10 5/8"	C 7'-2 1/4"
D 10'-11 3/4"	D 11'-2 3/4"	D 26'-7 5/8"	D 26'-8 7/8"
E 26'-8 5/8"	E 11'-2 3/4"	E 26'-7 1/2"	E 11'-0"
F 16'-11 1/2"	F 22'-10 1/8"	F 7'-3 1/4"	F 16'-11 3/8"
G 11'-5 7/8"	G 18'-10 3/4"	G 12'-4 3/8"	G 19'-5 1/4"
H 7'-10"	H 13'-6 5/8"	H 21'-8 3/4"	H 24'-4 5/8"
J 13'-5 3/8"	J 7'-11 1/8"	J 24'-4 7/8"	J 21'-10 3/8"
K 21'-10 1/8"	K 7'-11 3/8"	K 24'-4 5/8"	K 13'-5 3/8"
L 24'-4 3/4"	L 13'-6 7/8"	L 21'-8 3/4"	L 7'-9 7/8"
M 19'-5 1/2"	M 18'-10 7/8"	M 12'-4 3/8"	M 11'-5 5/8"
SL 13'-5 3/8"	SL 7'-11 1/8"	SL 24'-4 7/8"	SL 21'-10 3/8"
SR 24'-6"	SR 21'-11 5/8"	SR 13'-5 1/4"	SR 7'-10 7/8"
DL 6'-6 3/4"	DL 15'-7 5/8"	DL 19'-4 1/2"	DL 24'-0 1/4"
DR 9'-10 1/4"	DR 17'-3 3/8"	DR 14'-8"	DR 20'-4 7/8"

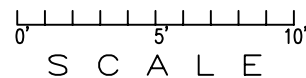


DIAGONALS

From Point "H" to:-	From Point "J" to:-
J 5'-7 3/4"	
K 14'-4 1/4"	K 9'-10 1/4"
L 17'-8 1/2"	L 14'-4 5/8"
M 15'-3 3/4"	M 15'-2 1/2"
G 9'-5 1/2"	G 12'-3 1/4"

NOTICE

SWIMMING POOLS AND ACCESSORIES (INCLUDING DIVING BOARDS) ARE DANGEROUS WHEN IMPROPERLY USED OR INSTALLED. IT IS THE RESPONSIBILITY OF MUNICIPAL OFFICIALS, BUILDERS AND POOL OWNERS TO ADHERE TO ALL SAFETY RECOMMENDATIONS AND STANDARDS ISSUED BY THE POOL & HOT TUB COUNCIL, LOCAL AUTHORITIES AND EQUIPMENT MANUFACTURERS. PLEASE REFER TO DIVING BOARD MANUFACTURERS FOR CORRECT POSITIONING AND INSTALLATION OF DIVING EQUIPMENT.



HIGHBURY POOLS LTD LAGOON - LEFT 10x21'3x21'3

DRAWING REFERENCE #  
16A-10-21-1

DRAWN BY: GB  
REV. 12 FEB 2008  
SHEET 2 OF 2