

**MISCELLANEOUS INFORMATION**

PERIMETER:	83'
SURFACE AREA:	388 SQ FT
VOLUME:	8740 IMP GALS 39767 LITER

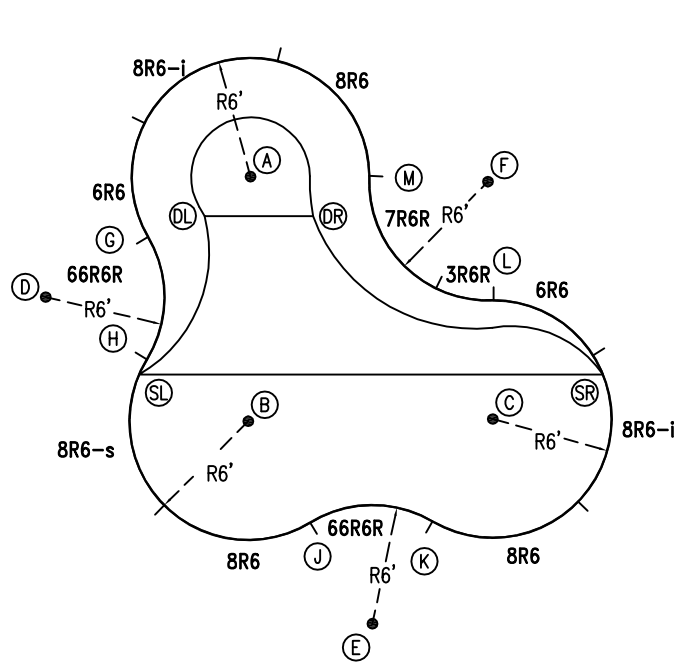
**CONCRETE DECK INFO**

WIDTH	AREA	NET INCREASES FOR:			
		STEPS	DIVING	SLIDE	ROLLER
2'	179	13	27	24	10
2'6"	228	17	31	20	10
3'	278	20	36	16	10

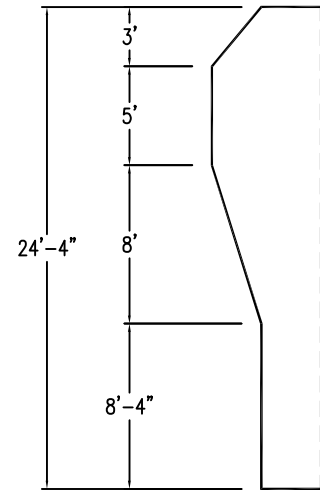
All Figures Represent "Sq Ft"

**PARTS LIST**

CODE	QTY	DESCRIPTION
8R6	3	8' Plain x 6' Radius
8R6-i	2	8' Return x 6' Radius
6R6	2	6' Plain x 6' Radius
66R6R	2	6'6" Plain x 6' Reverse Radius
8R6-s	1	8' Skimmer x 6' Radius
3R6R	1	3' Plain x 6' Reverse Radius
7R6R	1	7' Plain x 6' Reverse Radius
AF	12	A-Frame
S	24	Stakes
NB	72	Nuts & Bolts



6" WATER LINE

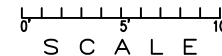


**INSTALLATION DATA**

From Point "A" to:-		From Point "B" to:-	
B	12'-4 1/4"	B	12'-4 1/4"
C	17'-3 3/4"	C	12'-0"
D	12'-0"	D	12'-0"
E	23'-4 3/4"	E	12'-0"
F	12'-0"	F	17'-1 1/4"
G	6'-0"	G	10'-7"
H	10'-7 1/4"	H	6'-0"
J	17'-8 3/4"	J	6'-0"
K	19'-8 1/4"	K	10'-7"
L	13'-9 1/4"	L	13'-9 3/4"
M	6'-0"	M	13'-9 3/4"
SL	11'-5 3/4"	SL	6'-0"
SR	20'-5"	SR	18'-0 3/4"
DL	3'-0 3/4"	DL	10'-7"
DR	3'-8 3/4"	DR	10'-10 1/4"

24'-4"

\*ALL DIMENSIONS ARE FINISHED



**NOTICE**

SWIMMING POOLS AND ACCESSORIES (INCLUDING DIVING BOARDS) ARE DANGEROUS WHEN IMPROPERLY USED OR INSTALLED. IT IS THE RESPONSIBILITY OF MUNICIPAL OFFICIALS, BUILDERS AND POOL OWNERS TO ADHERE TO ALL SAFETY RECOMMENDATIONS AND STANDARDS ISSUED BY THE POOL & HOT TUB COUNCIL, LOCAL AUTHORITIES AND EQUIPMENT MANUFACTURERS. PLEASE REFER TO DIVING BOARD MANUFACTURERS FOR CORRECT POSITIONING AND INSTALLATION OF DIVING EQUIPMENT.

**HIGHBURY POOLS LTD**

LAGOON - LEFT 12 x 24 x 24

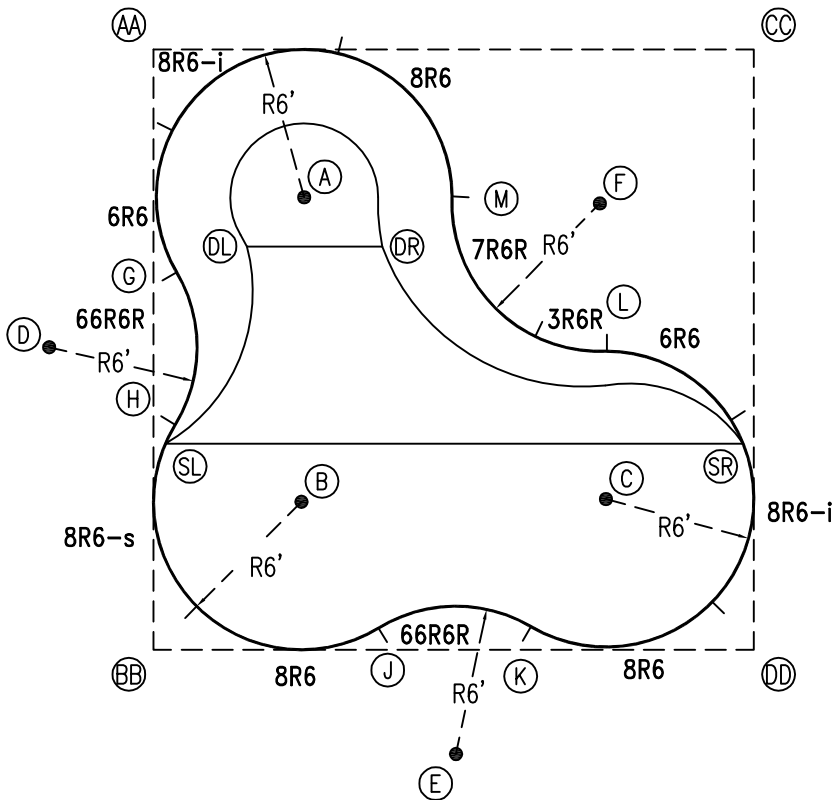
DRAWING REFERENCE #  
16A-12-24-1

DRAWN BY: JK  
REV. 28 JUN 13  
SHEET 1 OF 2

PERIMETER: 83'

EXTERNAL INSTALLATION DATA

AA TO:	BB TO:	CC TO:	DD TO:
AA --	AA 24'-4 1/4"	AA 24'-4 1/4"	AA 34'-5 1/4"
BB --	BB --	BB 34'-5 1/4"	BB 24'-4 1/4"
CC --	CC --	CC --	CC 24'-4 1/4"
A 8'-6 3/4"	A 19'-4"	A 19'-2 1/4"	A 25'-10 1/2"
B 19'-3 3/4"	B 8'-5 3/4"	B 25'-11 1/2"	B 19'-3 3/4"
C 25'-10 1/2"	C 19'-4"	C 19'-2 1/4"	C 8'-6 3/4"
D 12'-9 1/2"	D 12'-11 3/4"	D 31'-0 1/4"	D 31'-1 1/4"
E 31'-1 1/4"	E 12'-11 3/4"	E 31'-0 1/4"	E 12'-9 1/2"
F 19'-1 3/4"	F 25'-7 1/4"	F 8'-10"	F 19'-1 3/4"
G 9'-1"	G 15'-4"	G 25'-1"	G 27'-11 3/4"
H 15'-3"	H 9'-2"	H 27'-11 3/4"	H 25'-2 1/4"
J 25'-2 1/4"	J 9'-2"	J 27'-11 3/4"	J 15'-3"
K 27'-11 3/4"	K 15'-4"	K 25'-1"	K 9'-1"
L 22'-1"	L 22'-0 1/4"	L 13'-7 1/4"	L 13'-5 3/4"
M 13'-5 3/4"	M 22'-0 1/4"	M 13'-7 1/4"	M 22'-1"
SL 16'-0"	SL 8'-4 1/4"	SL 28'-8 3/4"	SL 25'-3 1/2"
SR 28'-9 1/4"	SR 25'-4"	SR 16'-0"	SR 8'-4 1/4"
DL 8'-10 1/4"	DL 16'-9 1/2"	DL 22'-0 3/4"	DL 26'-3 1/4"
DR 12'-3"	DR 18'-9 1/2"	DR 17'-0 3/4"	DR 22'-2 3/4"

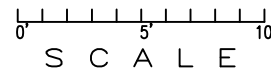


DIAGONALS

From Point "G" to:-	From Point "H" to:-
H 6'-2 1/4"	H
J 16'-7 1/8"	J 11'-7 7/8"
K 20'-3 7/8"	K 16'-7 1/8"
L 17'-8 7/8"	L 17'-9 1/4"
M 11'-7 1/8"	M 14'-6 3/4"

NOTICE

SWIMMING POOLS AND ACCESSORIES (INCLUDING DIVING BOARDS) ARE DANGEROUS WHEN IMPROPERLY USED OR INSTALLED. IT IS THE RESPONSIBILITY OF MUNICIPAL OFFICIALS, BUILDERS AND POOL OWNERS TO ADHERE TO ALL SAFETY RECOMMENDATIONS AND STANDARDS ISSUED BY THE POOL & HOT TUB COUNCIL, LOCAL AUTHORITIES AND EQUIPMENT MANUFACTURERS. PLEASE REFER TO DIVING BOARD MANUFACTURERS FOR CORRECT POSITIONING AND INSTALLATION OF DIVING EQUIPMENT.



HIGHBURY POOLS LTD

LAGOON - LEFT 12 x 24 x 24

DRAWING REFERENCE #  
16A-12-24-1

DRAWN BY: JK  
REV. 28 JUN 13  
SHEET 2 OF 2