

MISCELLANEOUS INFORMATION

PERIMETER:-	96'-6"
SURFACE AREA:	518 SQ FT
VOLUME:	12,465 IMP GALS 56,715 L

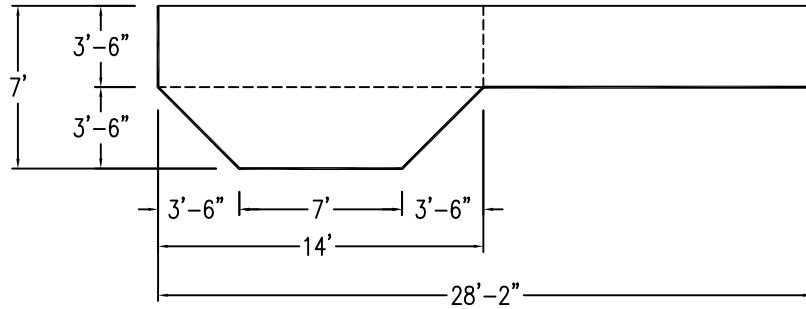
PARTS LIST

CODE	QTY	DESCRIPTION
8R7-s	1	8' Skimmer x 7' Radius
8R7-i	2	8' Inlet x 7' Radius
8R7	5	8' Plain x 7' Radius
3R7	1	3' Plain x 7' Radius
26R7	2	2'-6" Plain x 7' Radius
8R6R	1	8' Plain x 6' Rev Radius
7R6R	2	7' Plain x 6' Rev Radius
26R6R	1	2'-6" Plain x 6' Rev Radius
AF	15	A-Frame
S	30	Stake
NB	90	Nuts & Bolts

CONCRETE DECK INFO

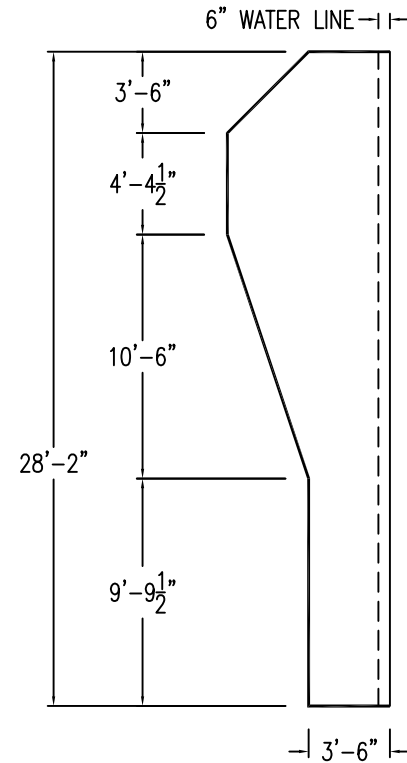
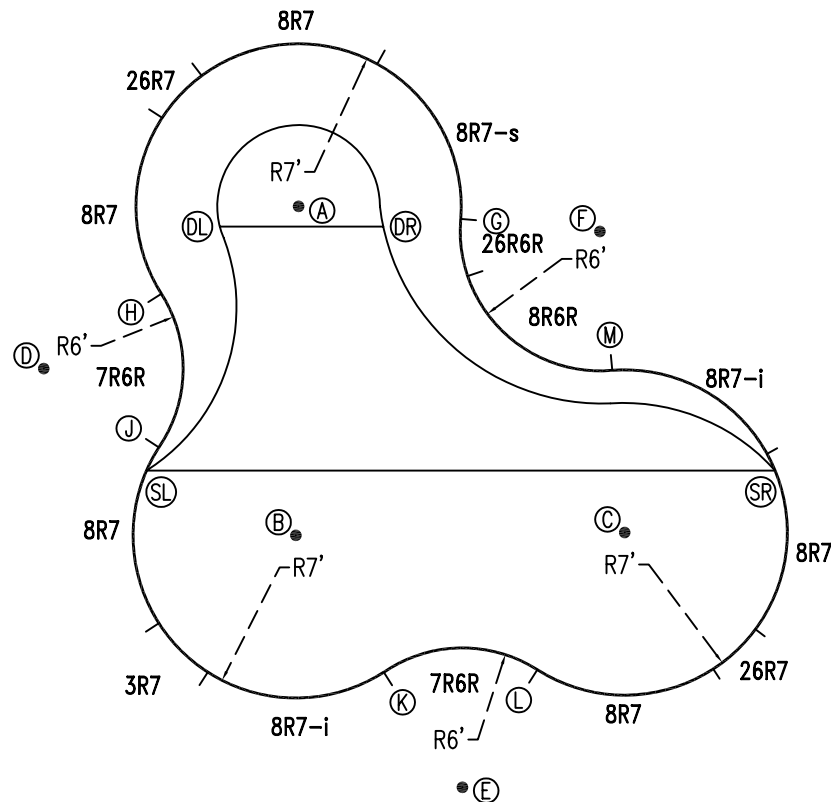
WIDTH	AREA	NET INCREASES FOR:			
		STEPS	DIVING	SLIDE	ROLLER
2'	206	13	27	24	10
2'6"	261	17	31	20	10
3'	318	20	36	16	10

All Figures Represent "Sq Ft"

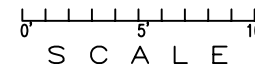


INSTALLATION DATA

From Point "A" to:-		From Point "B" to:-	
B	14'-1 7/8"	B	14'-1 7/8"
C	19'-10 1/4"	C	14'-1 7/8"
D	13'-0"	D	13'-0 1/8"
E	25'-11 3/4"	E	13'-0"
F	13'-0 1/8"	F	18'-6"
G	7'-0"	G	15'-4 1/4"
H	7'-0"	H	11'-10 3/4"
J	11'-11 7/8"	J	7'-0 1/8"
K	20'-4 1/2"	K	7'-0"
L	22'-5 1/8"	L	11'-10 3/4"
M	15'-2 3/4"	M	15'-4 1/4"
SL	13'-1 3/8"	SL	7'-0 1/8"
SR	23'-5 3/8"	SR	20'-9 3/4"
DL	3'-5 7/8"	DL	13'-8 1/4"
DR	3'-8 7/8"	DR	13'-9 3/4"



\*ALL DIMENSIONS ARE FINISHED



NOTICE

SWIMMING POOLS AND ACCESSORIES (INCLUDING DIVING BOARDS) ARE DANGEROUS WHEN IMPROPERLY USED OR INSTALLED. IT IS THE RESPONSIBILITY OF MUNICIPAL OFFICIALS, BUILDERS AND POOL OWNERS TO ADHERE TO ALL SAFETY RECOMMENDATIONS AND STANDARDS ISSUED BY THE POOL & HOT TUB COUNCIL, LOCAL AUTHORITIES AND EQUIPMENT MANUFACTURERS. PLEASE REFER TO DIVING BOARD MANUFACTURERS FOR CORRECT POSITIONING AND INSTALLATION OF DIVING EQUIPMENT.

EXTERNAL INSTALLATION DATA

AA TO:	BB TO:	CC TO:	DD TO:
AA ---	AA 28'-1 7/8"	AA 28'-1 7/8"	AA 39'-9 7/8"
BB ---	BB ---	BB 39'-9 7/8"	BB 28'-1 7/8"
CC ---	CC ---	CC ---	CC 28'-1 7/8"
A 9'-11 7/8"	A 22'-3 7/8"	A 22'-2"	A 29'-10"
B 22'-3 1/2"	B 9'-10 7/8"	B 29'-11"	B 22'-3 3/8"
C 29'-10"	C 22'-3 7/8"	C 22'-2"	C 9'-11 7/8"
D 14'-6"	D 14'-8 1/4"	D 34'-11 1/8"	D 35'-0"
E 35'-0"	E 14'-8 1/4"	E 34'-11 1/8"	E 14'-6"
F 21'-7 5/8"	F 28'-4 7/8"	F 11'-5"	F 21'-7 7/8"
G 15'-11 7/8"	G 24'-11 3/4"	G 15'-11 3/8"	G 24'-11 1/2"
H 10'-9 7/8"	H 17'-5 1/4"	H 29'-0 1/8"	H 32'-0 7/8"
J 17'-4 7/8"	J 10'-10 1/8"	J 32'-1 3/4"	J 29'-1 1/2"
K 29'-1 1/2"	K 10'-10 1/8"	K 32'-1 3/4"	K 17'-4 7/8"
L 32'-0 7/8"	L 17'-5 1/4"	L 29'-0 1/8"	L 10'-9 7/8"
M 24'-11 1/2"	M 24'-11 3/4"	M 15'-11 3/8"	M 15'-11 7/8"
SL 18'-4 1/2"	SL 9'-9 5/8"	SL 33'-1 5/8"	SL 29'-3 1/4"
SR 33'-2 1/8"	SR 29'-3 3/4"	SR 18'-4 1/2"	SR 9'-9 5/8"
DL 8'-8 1/2"	DL 20'-7 5/8"	DL 25'-7 7/8"	DL 31'-9"
DR 13'-4"	DR 22'-11 5/8"	DR 19'-1"	DR 26'-8 5/8"

DIAGONALS

From Point "H" to:-	From Point "J" to:-
J 6'-7 3/8"	
K 18'-10 3/4"	K 13'-8 1/4"
L 22'-10 5/8"	L 18'-10 3/4"
M 19'-8 1/8"	M 19'-9 1/2"
G 13'-3 3/8"	G 16'-3 1/2"

NOTICE

SWIMMING POOLS AND ACCESSORIES (INCLUDING DIVING BOARDS) ARE DANGEROUS WHEN IMPROPERLY USED OR INSTALLED. IT IS THE RESPONSIBILITY OF MUNICIPAL OFFICIALS, BUILDERS AND POOL OWNERS TO ADHERE TO ALL SAFETY RECOMMENDATIONS AND STANDARDS ISSUED BY THE POOL & HOT TUB COUNCIL, LOCAL AUTHORITIES AND EQUIPMENT MANUFACTURERS. PLEASE REFER TO DIVING BOARD MANUFACTURERS FOR CORRECT POSITIONING AND INSTALLATION OF DIVING EQUIPMENT.

