

MISCELLANEOUS INFORMATION

PERIMETER:	97'
SURFACE AREA:	519 SQ FT
VOLUME:	11423 IMP GALS 51975 LITER

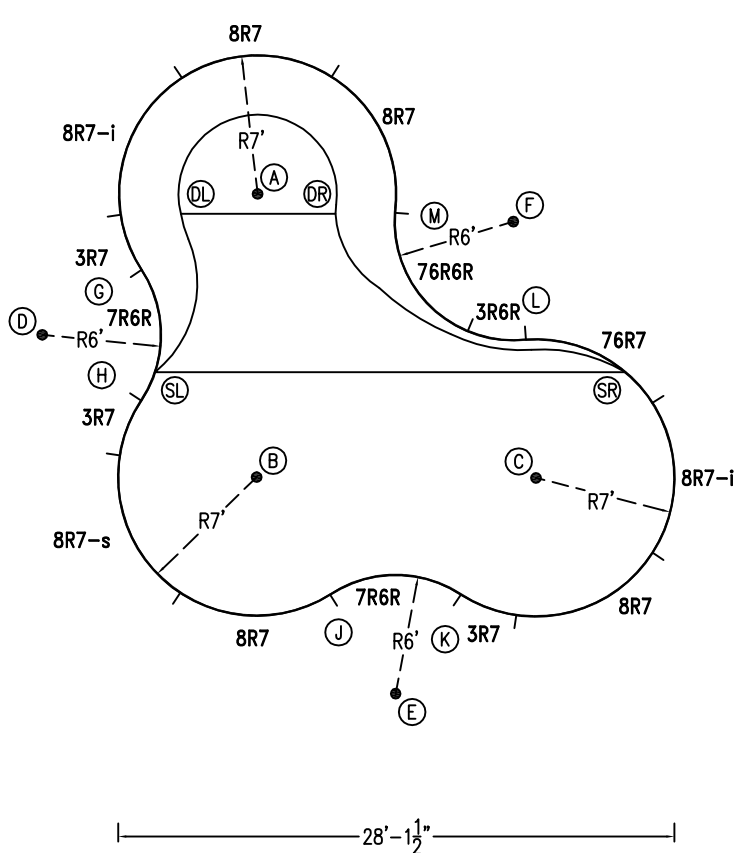
CONCRETE DECK INFO

WIDTH	AREA	NET INCREASES FOR:			
		STEPS	DIVING	SLIDE	ROLLER
2'	206	13	27	24	10
2'6"	262	17	31	20	10
3'	319	20	36	16	10

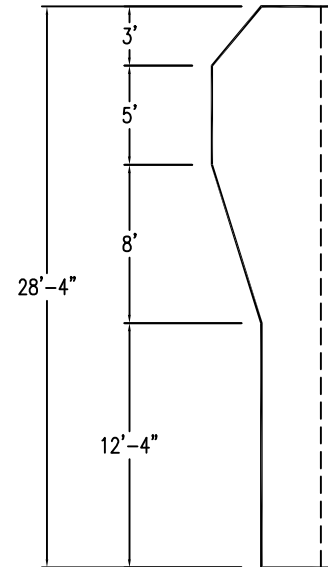
All Figures Represent "Sq Ft"

PARTS LIST

CODE	QTY	DESCRIPTION
8R7	4	8' Plain x 7' Radius
8R7-i	2	8' Return x 7' Radius
3R7	3	3' Plain x 7' Radius
7R6R	2	7' Plain x 6' Reverse Radius
8R7-s	1	8' Skimmer x 7' Radius
76R7	1	7'6" Plain x 7' Radius
3R6R	1	3' Plain x 6' Reverse Radius
76R6R	1	7'6" Plain x 6' Reverse Radius
AF	15	A-Frame
S	30	Stakes
NB	90	Nuts & Bolts



6" WATER LINE



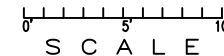
INSTALLATION DATA

From Point "A" to:-		From Point "B" to:-	
B	14'-3 1/2"	B	14'-1 1/4"
C	20'-1"	C	14'-0"
D	13'-0"	D	13'-0"
E	26'-2 1/4"	E	13'-0"
F	12'-11 3/4"	F	18'-3 1/2"
G	7'-0"	G	11'-11 3/4"
H	11'-11 3/4"	H	7'-0"
J	20'-6 3/4"	J	7'-0"
K	22'-8 1/4"	K	11'-10 3/4"
L	15'-5"	L	15'-3 1/4"
M	7'-0"	M	15'-0 3/4"
SL	10'-4 1/2"	SL	7'-4 1/2"
SR	20'-7 3/4"	SR	19'-4 1/4"
DL	4'-0"	DL	13'-10"
DR	4'-0 1/2"	DR	13'-10 1/2"

NOTICE

SWIMMING POOLS AND ACCESSORIES (INCLUDING DIVING BOARDS) ARE DANGEROUS WHEN IMPROPERLY USED OR INSTALLED. IT IS THE RESPONSIBILITY OF MUNICIPAL OFFICIALS, BUILDERS AND POOL OWNERS TO ADHERE TO ALL SAFETY RECOMMENDATIONS AND STANDARDS ISSUED BY THE POOL & HOT TUB COUNCIL, LOCAL AUTHORITIES AND EQUIPMENT MANUFACTURERS. PLEASE REFER TO DIVING BOARD MANUFACTURERS FOR CORRECT POSITIONING AND INSTALLATION OF DIVING EQUIPMENT.

*ALL DIMENSIONS ARE FINISHED



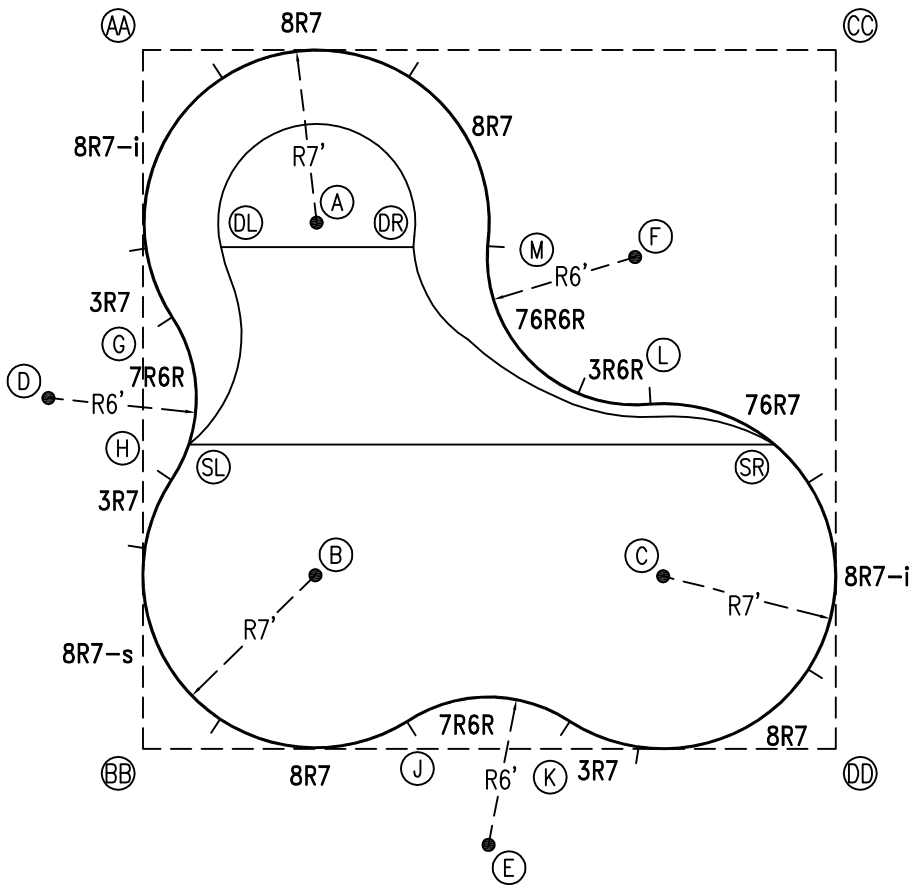
HIGHBURY POOLS LTD

LAGOON - LEFT 14 x 28 x 28

DRAWING REFERENCE #
16A-14-28-1

DRAWN BY: JK
REV. 19 AUG 13
SHEET 1 OF 2

PERIMETER: 97'



EXTERNAL INSTALLATION DATA

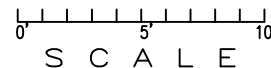
AA TO:	BB TO:	CC TO:	DD TO:
AA --	AA 28'-4"	AA 28'-1 1/4"	AA 39'-10 3/4"
BB --	BB --	BB 39'-10 3/4"	BB 28'-1 1/4"
CC --	CC --	CC --	CC 28'-4"
A 9'-11 1/4"	A 22'-5 3/4"	A 22'-2 1/4"	A 29'-11 3/4"
B 22'-5"	B 9'-11"	B 29'-11 3/4"	B 22'-2 3/4"
C 30'-0 1/4"	C 22'-2 3/4"	C 22'-5 1/2"	C 9'-10 3/4"
D 14'-7 1/2"	D 14'-8 3/4"	D 34'-10 3/4"	D 34'-11 1/2"
E 35'-1 3/4"	E 14'-6 1/2"	E 35'-2 1/4"	E 14'-7 1/4"
F 21'-7 3/4"	F 28'-2 3/4"	F 11'-8 1/4"	F 21'-6 1/2"
G 10'-10 3/4"	G 17'-6 1/2"	G 29'-0"	G 32'-1 1/4"
H 17'-5 3/4"	H 10'-11 1/2"	H 32'-1"	H 29'-0 3/4"
J 29'-3 1/4"	J 10'-9 1/4"	J 32'-3 3/4"	J 17'-5"
K 32'-3 1/4"	K 17'-4 1/4"	K 29'-3 1/2"	K 10'-10"
L 25'-1 1/4"	L 24'-10 3/4"	L 16'-2 1/2"	L 15'-10 1/2"
M 16'-1"	M 24'-8 3/4"	M 16'-2 1/2"	M 24'-9 1/2"
SL 16'-1 1/4"	SL 12'-5 3/4"	SL 30'-8 3/4"	SL 29'-0"
SR 30'-2 1/2"	SR 28'-5 1/4"	SR 16'-2 1/4"	SR 12'-7"
DL 8'-7 1/4"	DL 20'-7"	DL 26'-2"	DL 32'-2"
DR 13'-7"	DR 23'-1 1/4"	DR 18'-10 3/4"	DR 26'-7"

DIAGONALS

From Point "G" to:-	From Point "H" to:-
H 6'-7 3/8"	H
J 18'-11 5/8"	J 13'-8 1/8"
K 23'-0"	K 18'-10 3/4"
L 19'-8 3/4"	L 19'-8 1/8"
M 13'-1 3/8"	M 15'-11 3/8"

NOTICE

SWIMMING POOLS AND ACCESSORIES (INCLUDING DIVING BOARDS) ARE DANGEROUS WHEN IMPROPERLY USED OR INSTALLED. IT IS THE RESPONSIBILITY OF MUNICIPAL OFFICIALS, BUILDERS AND POOL OWNERS TO ADHERE TO ALL SAFETY RECOMMENDATIONS AND STANDARDS ISSUED BY THE POOL & HOT TUB COUNCIL, LOCAL AUTHORITIES AND EQUIPMENT MANUFACTURERS. PLEASE REFER TO DIVING BOARD MANUFACTURERS FOR CORRECT POSITIONING AND INSTALLATION OF DIVING EQUIPMENT.



HIGHBURY POOLS LTD

LAGOON - LEFT 14 x 28 x 28

DRAWING REFERENCE #
16A-14-28-1

DRAWN BY: JK
REV. 19 AUG 13
SHEET 2 OF 2