

MISCELLANEOUS INFORMATION

PERIMETER:-	107'-6"
SURFACE AREA:	670 SQ FT
VOLUME:	16,707 IMP GALS 76,017 L

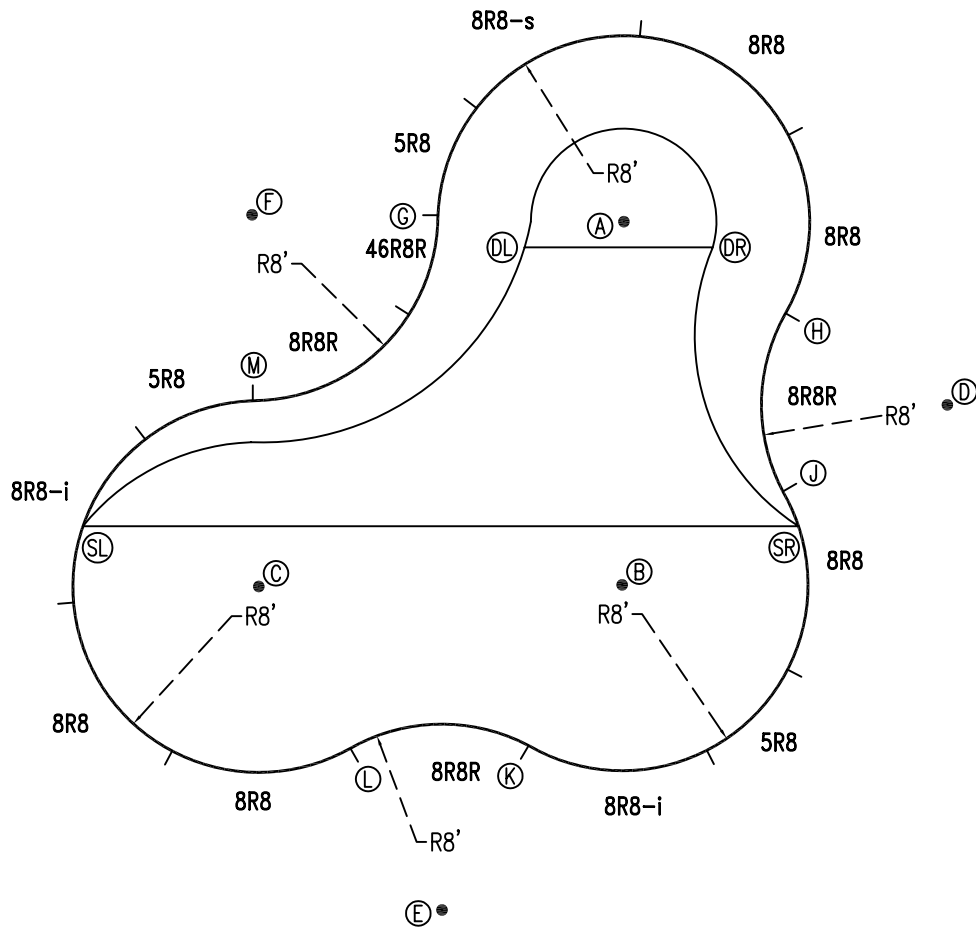
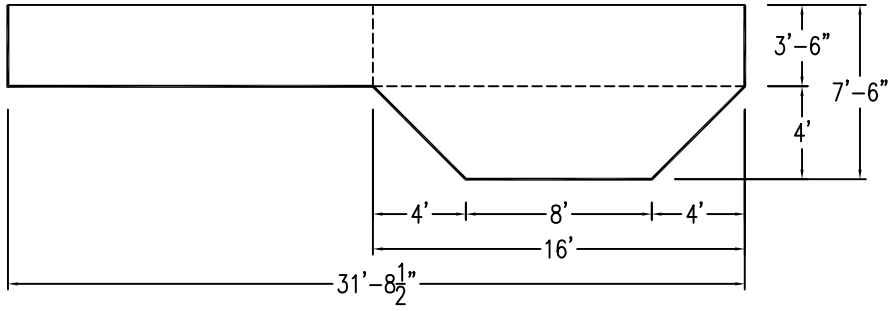
PARTS LIST

CODE	QTY	DESCRIPTION
8R8-s	1	8' Skimmer x 8' Radius
8R8-i	2	8' Inlet x 8' Radius
8R8	5	8' Plain x 8' Radius
5R8	3	5' Plain x 8' Radius
8R8R	3	8' Plain x 8' Rev Radius
46R8R	1	4'-6" Plain x 8' Rev Radius
AF	15	A-Frame
S	30	Stake
NB	90	Nuts & Bolts

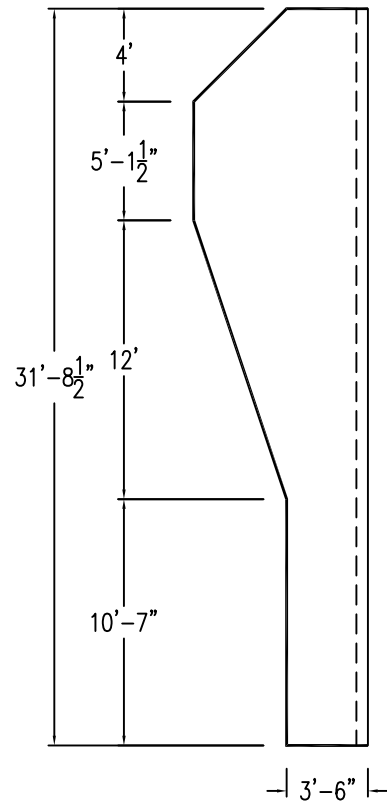
CONCRETE DECK INFO

WIDTH	AREA	NET INCREASES FOR:			
		STEPS	DIVING	SLIDE	ROLLER
2'	227	13	27	24	10
2'6"	288	17	31	20	10
3'	350	20	36	16	10

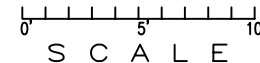
All Figures Represent "Sq Ft"



6" WATER LINE - I I -



*ALL DIMENSIONS ARE FINISHED



INSTALLATION DATA

From Point "A" to:-		From Point "B" to:-	
B	15'-7 5/8"	B	15'-7 5/8"
C	22'-2 1/2"	C	17'-9 1/8"
D	16'-0"	D	16'-0"
E	30'-7 3/4"	E	16'-0"
F	16'-0"	F	22'-6 1/4"
G	7'-11 3/4"	G	17'-9 1/8"
H	8'-0"	H	13'-7 3/4"
J	13'-5 5/8"	J	7'-11 7/8"
K	22'-10 7/8"	K	8'-0"
L	25'-6 1/2"	L	13'-7 3/4"
M	17'-8 3/4"	M	17'-9 1/8"
SL	26'-8 5/8"	SL	23'-4 1/8"
SR	15'-1 3/8"	SR	8'-0"
DL	4'-4 7/8"	DL	15'-1 3/8"
DR	3'-11 3/4"	DR	15'-0 1/2"

NOTICE

SWIMMING POOLS AND ACCESSORIES (INCLUDING DIVING BOARDS) ARE DANGEROUS WHEN IMPROPERLY USED OR INSTALLED. IT IS THE RESPONSIBILITY OF MUNICIPAL OFFICIALS, BUILDERS AND POOL OWNERS TO ADHERE TO ALL SAFETY RECOMMENDATIONS AND STANDARDS ISSUED BY THE POOL & HOT TUB COUNCIL, LOCAL AUTHORITIES AND EQUIPMENT MANUFACTURERS. PLEASE REFER TO DIVING BOARD MANUFACTURERS FOR CORRECT POSITIONING AND INSTALLATION OF DIVING EQUIPMENT.

EXTERNAL INSTALLATION DATA

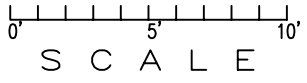
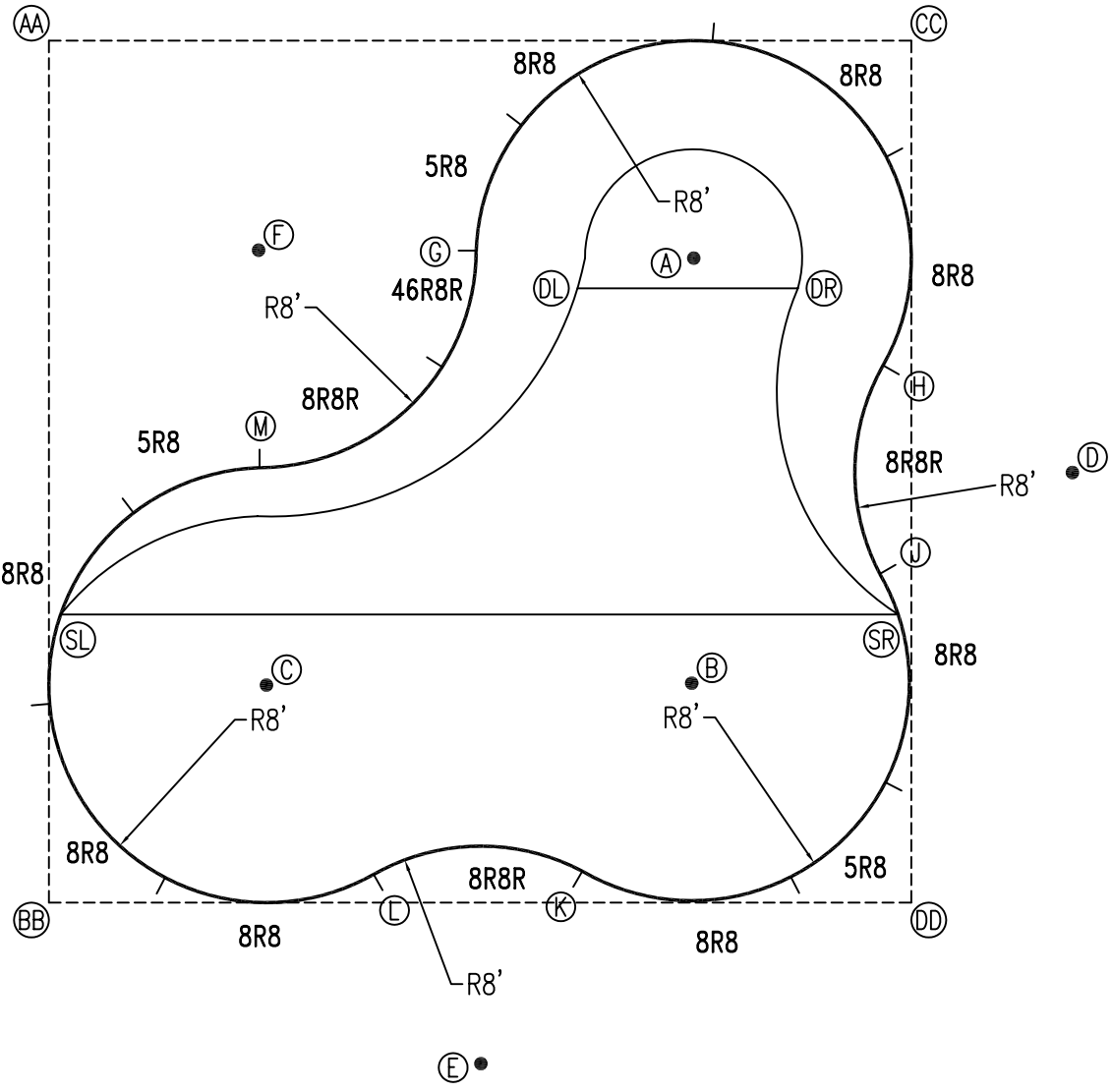
AA TO:	BB TO:	CC TO:	DD TO:
AA ---	AA 31'-8 1/2"	AA 31'-8 1/2"	AA 44'-10 1/8"
BB ---	BB ---	BB 44'-10 1/8"	BB 31'-8 1/2"
CC ---	CC ---	CC ---	CC 31'-8 1/2"
A 25'-0 1/4"	A 33'-6 3/8"	A 11'-3 3/4"	A 25'-0 1/4"
B 33'-5 1/8"	B 24'-11 3/4"	B 24'-11 3/4"	B 11'-4 7/8"
C 25'-0 1/4"	C 11'-3 3/4"	C 33'-6 3/8"	C 25'-0 1/4"
D 40'-10 1/4"	D 40'-9 7/8"	D 16'-11 1/2"	D 16'-10 5/8"
E 40'-10 1/8"	E 16'-11 3/8"	E 40'-9 7/8"	E 16'-10 3/4"
F 10'-10 7/8"	F 25'-2 1/2"	F 25'-2 1/2"	F 33'-11 1/4"
G 17'-6 1/4"	G 28'-8 1/8"	G 17'-8 7/8"	G 28'-9 3/4"
H 32'-10 7/8"	H 36'-5 7/8"	H 11'-11 7/8"	H 19'-9 1/2"
J 36'-3 5/8"	J 32'-10 1/4"	J 19'-7 3/4"	J 12'-1 3/4"
K 36'-3 5/8"	K 19'-7 3/4"	K 32'-10 1/4"	K 12'-1 7/8"
L 32'-10 7/8"	L 11'-11 7/8"	L 36'-5 3/4"	L 19'-9 1/2"
M 17'-6 1/8"	M 17'-9 1/4"	M 28'-7 7/8"	M 28'-9 3/4"
SL 21'-1 3/8"	SL 10'-7 1/4"	SL 37'-8 3/4"	SL 33'-0 1/4"
SR 37'-8 3/8"	SR 32'-11 3/4"	SR 21'-1 3/8"	SR 10'-7 1/4"
DL 21'-5 5/8"	DL 29'-9 5/8"	DL 15'-3 3/8"	DL 25'-8 1/2"
DR 29'-0"	DR 35'-7 1/2"	DR 10'-0 1/4"	DR 22'-11 3/4"

DIAGONALS

From Point "H" to:-	From Point "J" to:-
J 7'-7 7/8"	
K 21'-7 3/4"	K 15'-5 5/8"
L 26'-5 3/4"	L 21'-7 3/4"
M 23'-2 3/4"	M 23'-1 5/8"
G 15'-6 1/2"	G 19'-0 1/8"

NOTICE

SWIMMING POOLS AND ACCESSORIES (INCLUDING DIVING BOARDS) ARE DANGEROUS WHEN IMPROPERLY USED OR INSTALLED. IT IS THE RESPONSIBILITY OF MUNICIPAL OFFICIALS, BUILDERS AND POOL OWNERS TO ADHERE TO ALL SAFETY RECOMMENDATIONS AND STANDARDS ISSUED BY THE POOL & HOT TUB COUNCIL, LOCAL AUTHORITIES AND EQUIPMENT MANUFACTURERS. PLEASE REFER TO DIVING BOARD MANUFACTURERS FOR CORRECT POSITIONING AND INSTALLATION OF DIVING EQUIPMENT.



HIGHBURY POOLS LTD

LAGOON - RIGHT 16x31'8x31'8

DRAWING REFERENCE #
16A-16-32-2

DRAWN BY: GB
REV. 06 FEB 2008
SHEET 2 OF 2