

MISCELLANEOUS INFORMATION

PERIMETER:	123'6"
SURFACE AREA:	854 SQ FT
VOLUME:	21975 IMP GALS 99986 LITER

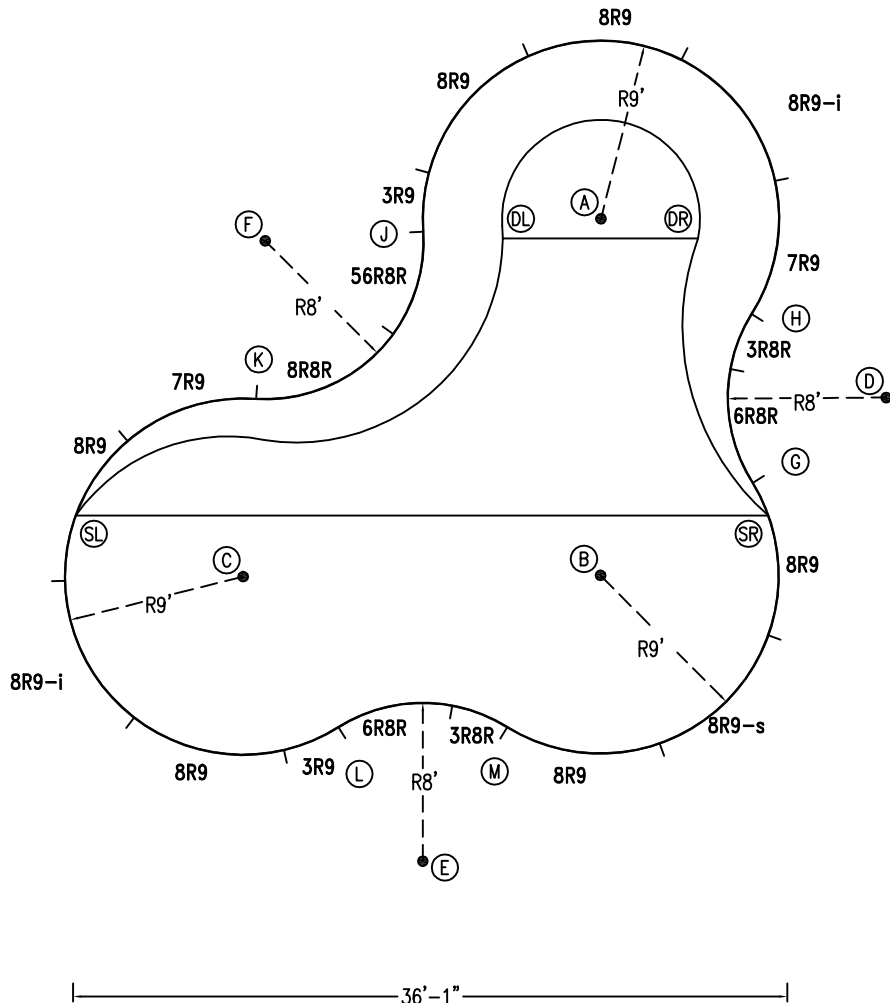
CONCRETE DECK INFO

WIDTH	AREA	NET INCREASES FOR:			
		STEPS	DIVING	SLIDE	ROLLER
2'	259	13	27	24	10
2'6"	328	17	31	20	10
3'	398	20	36	16	10

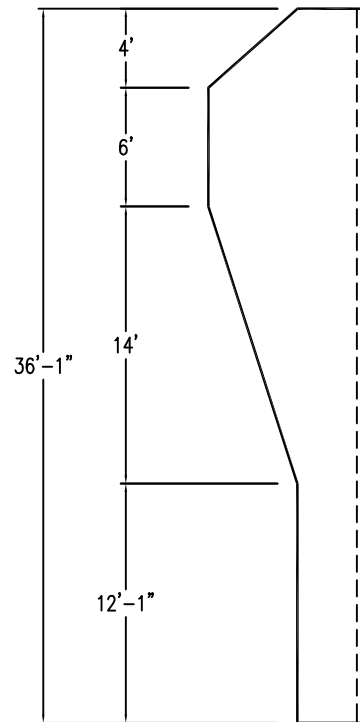
All Figures Represent "Sq Ft"

PARTS LIST

CODE	QTY	DESCRIPTION
3R9	2	3' Plain x 9' Radius
8R9	6	8' Plain x 9' Radius
8R9-i	2	8' Return x 9' Radius
7R9	2	7' Plain x 9' Radius
3R8R	2	3' Plain x 8' Reverse Radius
6R8R	2	6' Plain x 8' Reverse Radius
8R9-s	1	8' Skimmer x 9' Radius
8R8R	1	8' Plain x 8' Reverse Radius
56R8R	1	5'6" Plain x 8' Reverse Radius
AF	19	A-Frame
S	38	Stakes
NB	114	Nuts & Bolts



6" WATER LINE



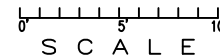
INSTALLATION DATA

From Point "A" to:-		From Point "B" to:-	
B	18'-0"	B	18'-0 1/2"
C	25'-6 3/4"	C	17'-0"
D	17'-0"	D	17'-0"
E	33'-8"	E	17'-0"
F	17'-0"	F	23'-11"
G	15'-4 1/2"	G	9'-0"
H	9'-0"	H	15'-3"
J	9'-0"	J	19'-6 1/4"
K	19'-7 3/4"	K	19'-6 1/2"
L	28'-10 3/4"	L	15'-3 1/2"
M	26'-1 1/4"	M	9'-0"
SL	30'-5 3/4"	SL	26'-8"
SR	17'-2 1/2"	SR	9'-0"
DL	5'-0 3/4"	DL	17'-8 1/2"
DR	5'-0"	DR	17'-8 1/2"

NOTICE

SWIMMING POOLS AND ACCESSORIES (INCLUDING DIVING BOARDS) ARE DANGEROUS WHEN IMPROPERLY USED OR INSTALLED. IT IS THE RESPONSIBILITY OF MUNICIPAL OFFICIALS, BUILDERS AND POOL OWNERS TO ADHERE TO ALL SAFETY RECOMMENDATIONS AND STANDARDS ISSUED BY THE POOL & HOT TUB COUNCIL, LOCAL AUTHORITIES AND EQUIPMENT MANUFACTURERS. PLEASE REFER TO DIVING BOARD MANUFACTURERS FOR CORRECT POSITIONING AND INSTALLATION OF DIVING EQUIPMENT.

*ALL DIMENSIONS ARE FINISHED



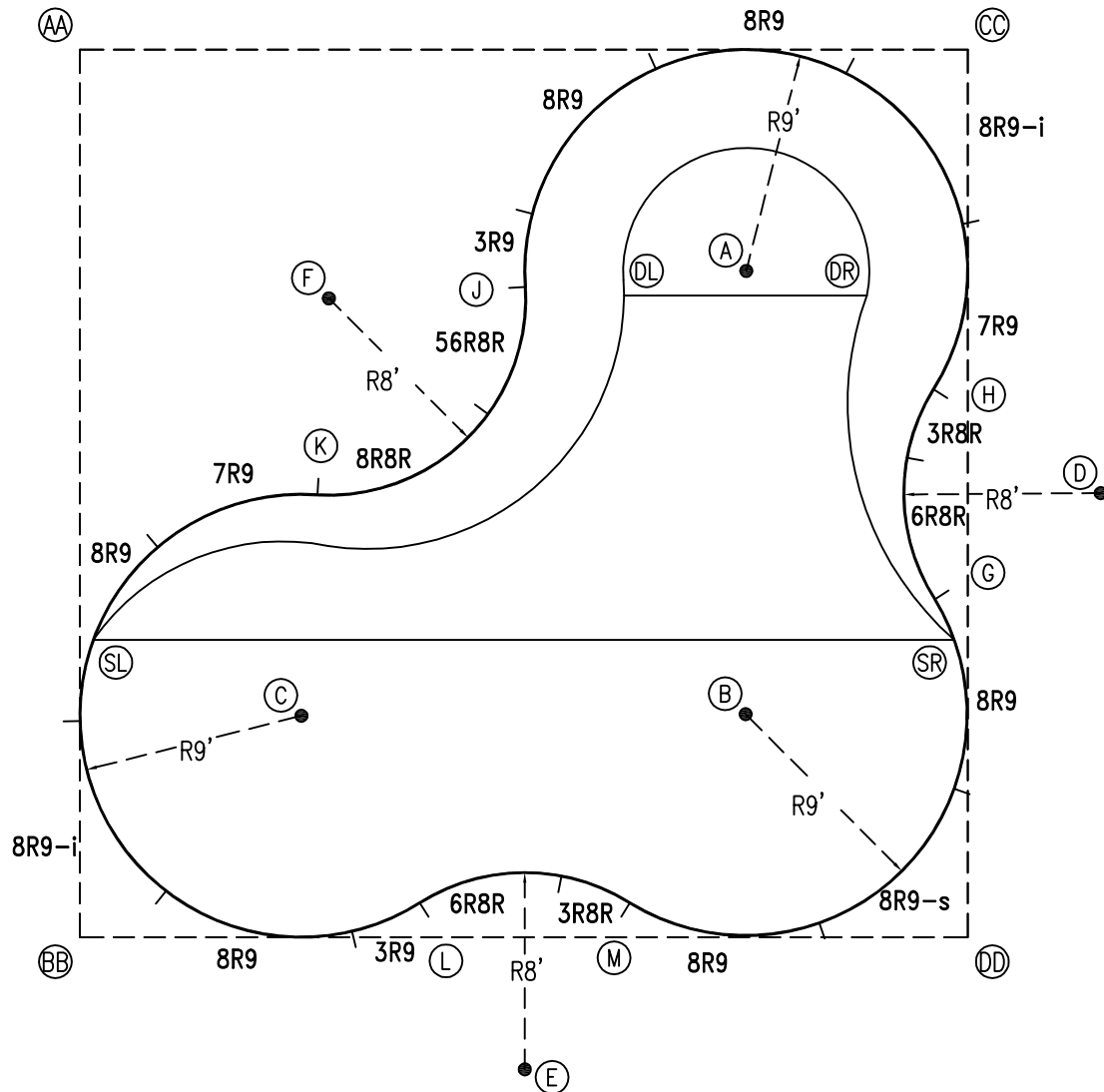
HIGHBURY POOLS LTD

LAGOON - RIGHT 18 x 36 x 36

DRAWING REFERENCE #
16A-18-36-2

DRAWN BY: JK
REV. 28 JUN 13
SHEET 1 OF 2

PERIMETER: 123'6"



EXTERNAL INSTALLATION DATA

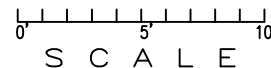
AA TO:	BB TO:	CC TO:	DD TO:
AA ---	AA 36'-0 3/4"	AA 36'-0 3/4"	AA 51'-0 1/4"
BB ---	BB ---	BB 51'-0 1/4"	BB 36'-0 3/4"
CC ---	CC ---	CC ---	CC 36'-0 3/4"
A 28'-6 1/4"	A 38'-3 1/2"	A 12'-8 3/4"	A 28'-6 1/4"
B 38'-2 3/4"	B 28'-6 1/4"	B 28'-5 3/4"	B 12'-9 1/2"
C 28'-6 1/4"	C 12'-8 3/4"	C 38'-3 1/2"	C 28'-6 1/4"
D 45'-2 3/4"	D 45'-2 3/4"	D 18'-9 3/4"	D 18'-10"
E 45'-2 1/2"	E 18'-10 1/4"	E 45'-2 1/4"	E 18'-9 1/4"
F 14'-3 1/2"	F 27'-10 1/4"	F 27'-10 1/4"	F 36'-8 1/2"
G 41'-3 3/4"	G 37'-4 1/4"	G 22'-4 1/2"	G 13'-9 1/2"
H 37'-3 3/4"	H 41'-2 1/2"	H 13'-10 1/2"	H 22'-3 3/4"
J 20'-6"	J 32'-0 1/4"	J 20'-4 3/4"	J 31'-11 1/2"
K 20'-6"	K 20'-4 3/4"	K 32'-0 1/4"	K 31'-11 1/2"
L 37'-3 3/4"	L 13'-10 1/2"	L 41'-2 1/2"	L 22'-3 3/4"
M 41'-3"	M 22'-4 1/2"	M 37'-3 1/2"	M 13'-9 1/2"
SL 24'-0"	SL 12'-1"	SL 42'-10 1/2"	SL 37'-6 1/4"
SR 42'-10 1/2"	SR 37'-6 1/4"	SR 24'-0"	SR 12'-1"
DL 24'-3 1/4"	DL 34'-2 1/4"	DL 17'-2"	DL 29'-6 3/4"
DR 33'-6"	DR 41'-3"	DR 10'-9 3/4"	DR 26'-4 3/4"

DIAGONALS

From Point "G" to:-	From Point "H" to:-
H 8'-6 3/8"	H
J 20'-11 1/4"	J 17'-1 1/8"
K 25'-5 3/8"	K 25'-4 3/4"
L 24'-3 5/8"	L 29'-6 1/4"
M 17'-5 7/8"	M 24'-2 7/8"

NOTICE

SWIMMING POOLS AND ACCESSORIES (INCLUDING DIVING BOARDS) ARE DANGEROUS WHEN IMPROPERLY USED OR INSTALLED. IT IS THE RESPONSIBILITY OF MUNICIPAL OFFICIALS, BUILDERS AND POOL OWNERS TO ADHERE TO ALL SAFETY RECOMMENDATIONS AND STANDARDS ISSUED BY THE POOL & HOT TUB COUNCIL, LOCAL AUTHORITIES AND EQUIPMENT MANUFACTURERS. PLEASE REFER TO DIVING BOARD MANUFACTURERS FOR CORRECT POSITIONING AND INSTALLATION OF DIVING EQUIPMENT.



HIGHBURY POOLS LTD

LAGOON - RIGHT 18 x 36 x 36

DRAWING REFERENCE #
16A-18-36-2

DRAWN BY: JK
REV. 28 JUN 13
SHEET 2 OF 2