

MISCELLANEOUS INFORMATION

PERIMETER:	138'
SURFACE AREA:	1047 SQ FT
VOLUME:	26260 IMP GALS 119483 LITER

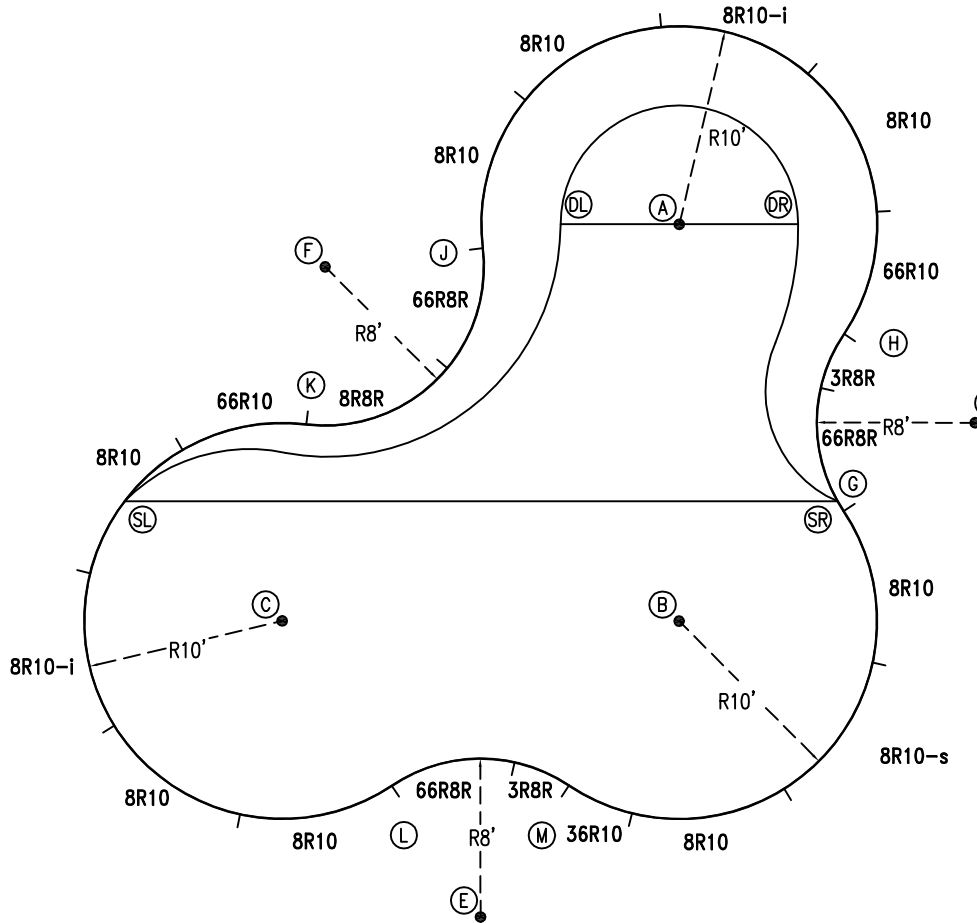
CONCRETE DECK INFO

WIDTH	AREA	NET INCREASES FOR:			
		STEPS	DIVING	SLIDE	ROLLER
2'	289	13	27	24	10
2'6"	365	17	31	20	10
3'	443	20	36	16	10

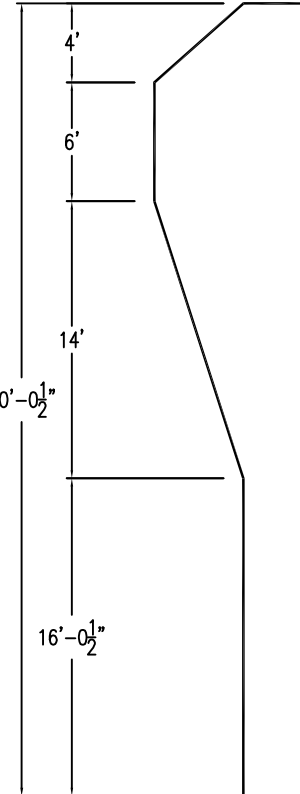
All Figures Represent "Sq Ft"

PARTS LIST

CODE	QTY	DESCRIPTION
8R10	8	8' Plain x 10' Radius
8R10-i	2	8' Return x 10' Radius
66R10	2	6'6" Plain x 10' Radius
3R8R	2	3' Plain x 8' Reverse Radius
66R8R	3	6'6" Plain x 8' Reverse Radius
8R10-s	1	8' Skimmer x 10' Radius
36R10	1	3'6" Plain x 10' Radius
8R8R	1	8' Plain x 8' Reverse Radius
AF	20	A-Frame
S	40	Stakes
NB	120	Nuts & Bolts



6" WATER LINE

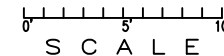


INSTALLATION DATA

From Point "A" to:-		From Point "B" to:-	
B	20'-0 1/2"	B	20'-0 1/2"
C	28'-4 1/4"	C	20'-0 1/2"
D	18'-0"	D	18'-0"
E	36'-4 3/4"	E	18'-0"
F	18'-0 1/4"	F	25'-3 1/2"
G	16'-8 1/4"	G	10'-0"
H	10'-0"	H	16'-8 3/4"
J	10'-0"	J	21'-3 1/4"
K	21'-4 1/2"	K	21'-3 1/2"
L	31'-10 1/2"	L	16'-8 3/4"
M	28'-10 3/4"	M	10'-0"
SL	31'-3 3/4"	SL	28'-7 3/4"
SR	16'-1 1/2"	SR	10'-0 1/4"
DL	6'-0"	DL	20'-11"
DR	6'-0"	DR	20'-11"

40'-0 1/2"

*ALL DIMENSIONS ARE FINISHED



NOTICE

SWIMMING POOLS AND ACCESSORIES (INCLUDING DIVING BOARDS) ARE DANGEROUS WHEN IMPROPERLY USED OR INSTALLED. IT IS THE RESPONSIBILITY OF MUNICIPAL OFFICIALS, BUILDERS AND POOL OWNERS TO ADHERE TO ALL SAFETY RECOMMENDATIONS AND STANDARDS ISSUED BY THE POOL & HOT TUB COUNCIL, LOCAL AUTHORITIES AND EQUIPMENT MANUFACTURERS. PLEASE REFER TO DIVING BOARD MANUFACTURERS FOR CORRECT POSITIONING AND INSTALLATION OF DIVING EQUIPMENT.

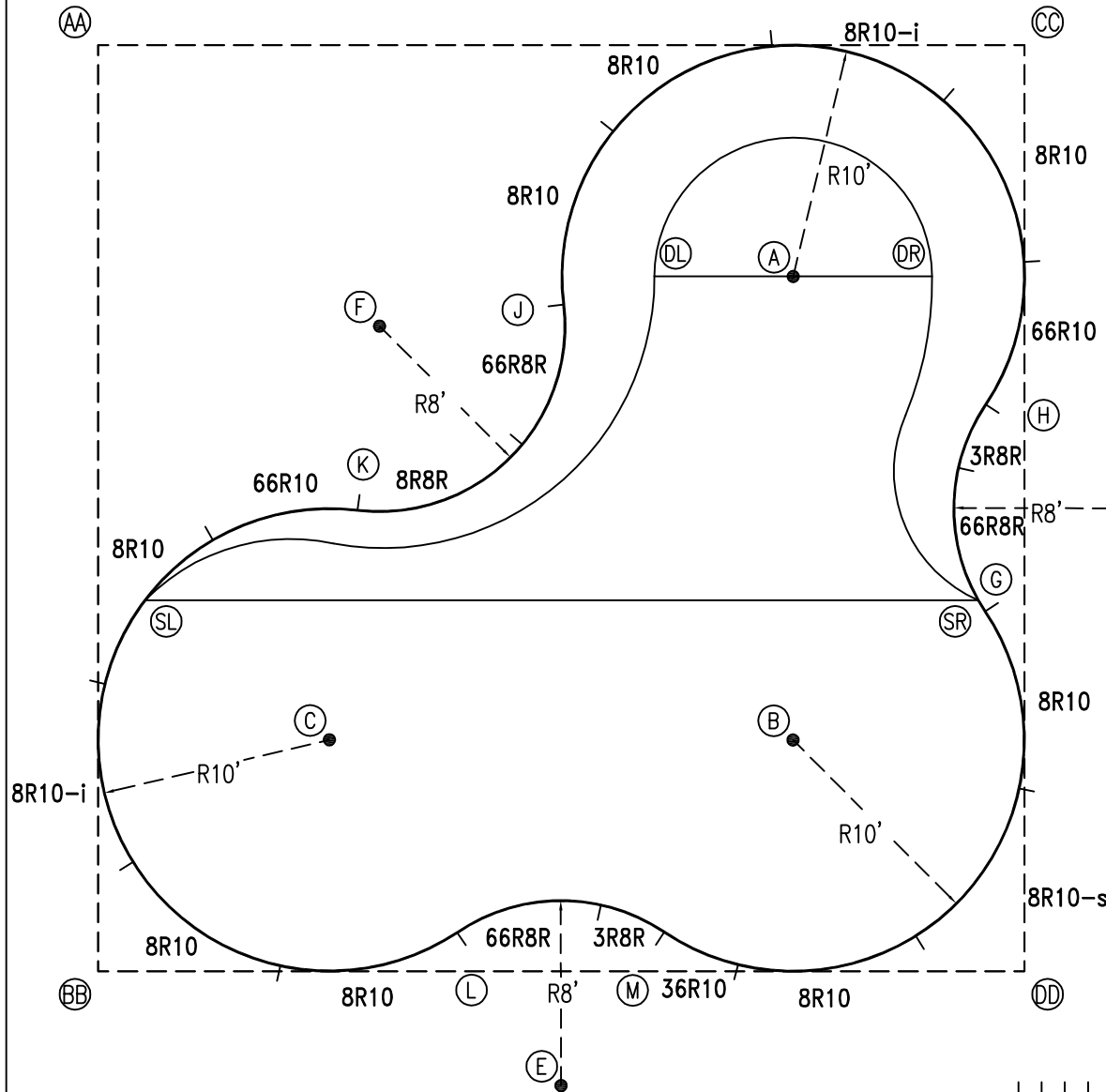
HIGHBURY POOLS LTD

LAGOON - RIGHT 20 x 40 x 40

DRAWING REFERENCE #
16A-20-40-2

DRAWN BY: JK
REV. 28 JUN 13
SHEET 1 OF 2

PERIMETER: 138'



EXTERNAL INSTALLATION DATA

AA TO:	BB TO:	CC TO:	DD TO:
AA ---	AA 40'-0 1/2"	AA 40'-0 3/4"	AA 56'-7 3/4"
BB ---	BB ---	BB 56'-7 3/4"	BB 40'-0 3/4"
CC ---	CC ---	CC ---	CC 40'-0 1/2"
A 31'-8"	A 42'-5 3/4"	A 14'-1 3/4"	A 31'-7 3/4"
B 42'-5 3/4"	B 31'-8"	B 31'-8"	B 14'-1 3/4"
C 31'-7 3/4"	C 14'-1 3/4"	C 42'-5 3/4"	C 31'-8"
D 49'-3"	D 49'-3"	D 20'-7 1/2"	D 20'-7 1/4"
E 49'-2 3/4"	E 20'-7 1/2"	E 49'-3"	E 20'-7 3/4"
F 17'-2 1/4"	F 30'-5 1/4"	F 30'-5"	F 39'-5 1/4"
G 45'-6"	G 41'-4 3/4"	G 24'-6 1/2"	G 15'-7 3/4"
H 41'-4 3/4"	H 45'-6 1/2"	H 15'-7 1/2"	H 24'-6 3/4"
J 23'-0 1/2"	J 35'-1 3/4"	J 22'-10 1/4"	J 35'-0 1/2"
K 23'-0 1/4"	K 22'-10 1/2"	K 35'-1 3/4"	K 35'-0 1/2"
L 41'-4 3/4"	L 15'-7 1/2"	L 45'-6 1/2"	L 24'-7"
M 45'-6"	M 24'-6 1/2"	M 41'-4 3/4"	M 15'-8"
SL 24'-1"	SL 16'-2"	SL 44'-11 1/2"	SL 41'-3 1/4"
SR 44'-11 3/4"	SR 41'-3 1/2"	SR 24'-0 3/4"	SR 16'-2"
DL 26'-0 1/2"	DL 38'-5 3/4"	DL 18'-10 1/4"	DL 34'-0 1/2"
DR 37'-5"	DR 46'-11 1/4"	DR 10'-9 1/4"	DR 30'-3 3/4"

DIAGONALS

From Point "G" to:-	From Point "H" to:-
H 8'-11 3/8"	H
J 22'-6 5/8"	J 18'-9 1/8"
K 27'-5 7/8"	K 27'-6 5/8"
L 26'-8 5/8"	L 32'-3 5/8"
M 19'-7 3/8"	M 26'-8 5/8"

NOTICE

SWIMMING POOLS AND ACCESSORIES (INCLUDING DIVING BOARDS) ARE DANGEROUS WHEN IMPROPERLY USED OR INSTALLED. IT IS THE RESPONSIBILITY OF MUNICIPAL OFFICIALS, BUILDERS AND POOL OWNERS TO ADHERE TO ALL SAFETY RECOMMENDATIONS AND STANDARDS ISSUED BY THE POOL & HOT TUB COUNCIL, LOCAL AUTHORITIES AND EQUIPMENT MANUFACTURERS. PLEASE REFER TO DIVING BOARD MANUFACTURERS FOR CORRECT POSITIONING AND INSTALLATION OF DIVING EQUIPMENT.

HIGHBURY POOLS LTD

LAGOON - RIGHT 20 x 40 x 40

DRAWING REFERENCE #
16A-20-40-2

DRAWN BY:JK
REV. 28 JUN 13
SHEET 2 OF 2