

MISCELLANEOUS INFORMATION

PERIMETER:	79'11"
SURFACE AREA:	382 SQ FT
VOLUME:	10785 IMP GALS 49072 LITER

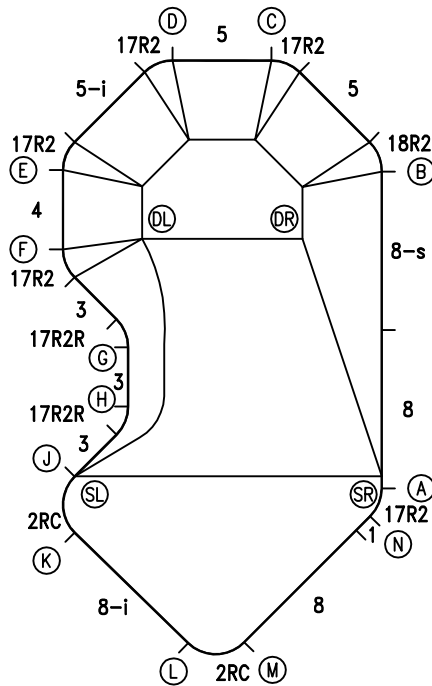
CONCRETE DECK INFO

WIDTH	AREA	NET INCREASES FOR:			
		STEPS	DIVING	SLIDE	ROLLER
2'	172	13	27	24	10
2'6"	219	17	31	20	10
3'	268	20	36	16	10

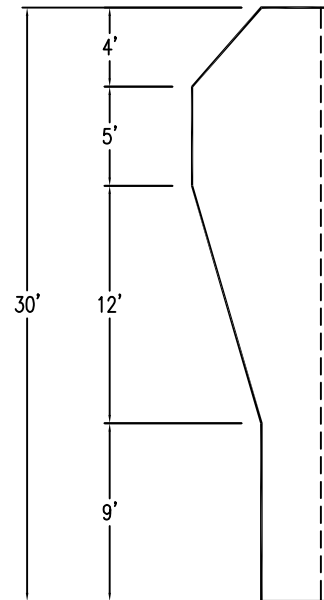
All Figures Represent "Sq Ft"

PARTS LIST

CODE	QTY	DESCRIPTION
17R2	5	1'7" Plain x 2' Radius
8	2	8' Plain
8-s	1	8' Skimmer
18R2	1	1'8" Plain x 2' Radius
5	2	5' Plain
5-i	1	5' Return
4	1	4' Plain
3	3	3' Plain
17R2R	2	1'7" Plain x 2' Reverse Radius
2RC	2	3'2" Plain x 2' Rad Cnr
8-i	1	8' Return
1	1	1' Plain
AF	22	A-Frame
S	44	Stakes
NB	132	Nuts & Bolts



6" WATER LINE

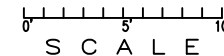


INSTALLATION DATA

From Point "A" to:-		From Point "B" to:-	
B	16'-0"	B	7'-10 3/4"
C	22'-3 3/4"	C	11'-11 1/2"
D	24'-0 1/2"	D	16'-1 1/4"
E	22'-8 3/4"	E	15'-6 3/4"
F	20'-1 1/2"	F	17'-5 1/2"
G	14'-7 3/4"	G	21'-10 1/4"
H	13'-5 1/2"	H	23'-11 1/4"
J	15'-6 1/4"	J	25'-8 3/4"
K	15'-8"	K	24'-9 1/4"
L	12'-6 1/4"	L	17'-5"
M	10'-5"	M	21'-10"
N	1'-6 1/4"	N	15'-4 3/4"
SL	15'-6"	DL	12'-6 3/4"
SR	0'-7 1/4"	DR	5'-2 3/4"

16'-1"

*ALL DIMENSIONS ARE FINISHED



NOTICE

SWIMMING POOLS AND ACCESSORIES (INCLUDING DIVING BOARDS) ARE DANGEROUS WHEN IMPROPERLY USED OR INSTALLED. IT IS THE RESPONSIBILITY OF MUNICIPAL OFFICIALS, BUILDERS AND POOL OWNERS TO ADHERE TO ALL SAFETY RECOMMENDATIONS AND STANDARDS ISSUED BY THE POOL & HOT TUB COUNCIL, LOCAL AUTHORITIES AND EQUIPMENT MANUFACTURERS. PLEASE REFER TO DIVING BOARD MANUFACTURERS FOR CORRECT POSITIONING AND INSTALLATION OF DIVING EQUIPMENT.

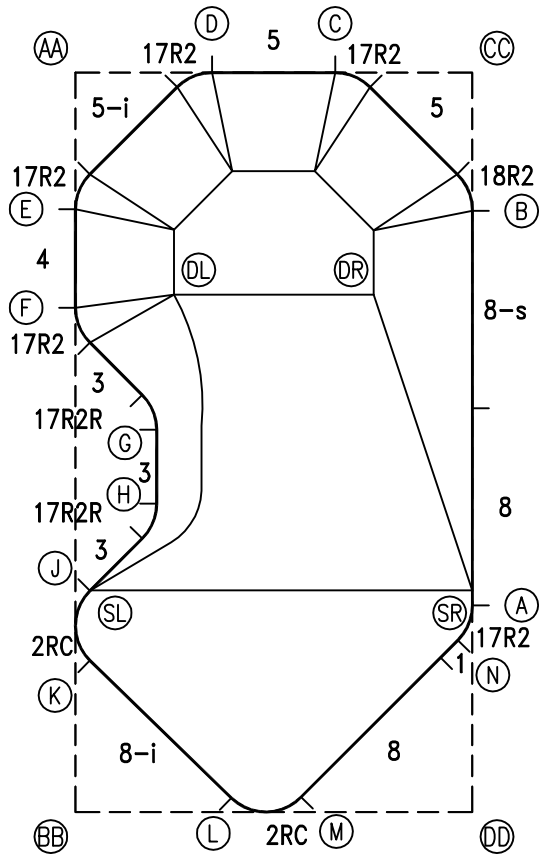
HIGHBURY POOLS LTD

LANAI - LEFT 16 x 16 x 30

DRAWING REFERENCE #
17-16-30-1

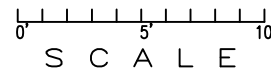
DRAWN BY: JK
REV. 3 JUL 13
SHEET 1 OF 2

PERIMETER: 79'11"



EXTERNAL INSTALLATION DATA

AA TO:	BB TO:	CC TO:	DD TO:
AA --	AA 29'-11 3/4"	AA 16'-1 1/4"	AA 34'-0 1/2"
BB --	BB --	BB 34'-0 1/2"	BB 16'-1 1/4"
CC --	CC --	CC --	CC 29'-11 3/4"
A 26'-11 1/4"	A 18'-1 3/4"	A 21'-7 1/4"	A 8'-4 1/2"
B 17'-0 1/2"	B 29'-2 1/2"	B 5'-7 1/4"	B 24'-4 1/2"
C 10'-6 1/4"	C 31'-9 1/2"	C 5'-6 3/4"	C 30'-6"
D 5'-6 1/4"	D 30'-5 3/4"	D 10'-6 3/4"	D 31'-9 1/2"
E 5'-6 1/4"	E 24'-5 1/2"	E 17'-0 1/4"	E 29'-3 1/4"
F 9'-6 1/4"	F 20'-5 1/2"	F 18'-8 1/2"	F 26'-0 1/4"
G 14'-10 1/4"	G 15'-10 1/4"	G 19'-4"	G 20'-1 1/4"
H 17'-9 1/2"	H 12'-11 1/4"	H 21'-8"	H 17'-10 3/4"
J 21'-0 1/4"	J 8'-11 3/4"	J 26'-1 1/2"	J 17'-11"
K 23'-10 1/4"	K 6'-2"	K 28'-5 1/4"	K 16'-8 1/4"
L 30'-1"	L 6'-4"	L 31'-0"	L 9'-9 1/2"
M 30'-9 1/4"	M 9'-2"	M 30'-2 1/4"	M 6'-11 3/4"
N 27'-9"	N 17'-0"	N 23'-0 1/4"	N 6'-11 3/4"
SL 21'-0"	SL 9'-0"	SL 26'-1"	SL 17'-10 3/4"
SR 26'-5 1/2"	SR 18'-5 1/4"	SR 21'-0"	SR 8'-11 3/4"
DL 9'-10"	DL 21'-4 1/2"	DL 15'-0 3/4"	DL 24'-2 3/4"
DR 15'-0 3/4"	DR 24'-2 3/4"	DR 9'-10 1/4"	DR 21'-4 1/2"



NOTICE

SWIMMING POOLS AND ACCESSORIES (INCLUDING DIVING BOARDS) ARE DANGEROUS WHEN IMPROPERLY USED OR INSTALLED. IT IS THE RESPONSIBILITY OF MUNICIPAL OFFICIALS, BUILDERS AND POOL OWNERS TO ADHERE TO ALL SAFETY RECOMMENDATIONS AND STANDARDS ISSUED BY THE POOL & HOT TUB COUNCIL, LOCAL AUTHORITIES AND EQUIPMENT MANUFACTURERS. PLEASE REFER TO DIVING BOARD MANUFACTURERS FOR CORRECT POSITIONING AND INSTALLATION OF DIVING EQUIPMENT.

HIGHBURY POOLS LTD

LANAI - LEFT 16 x 16 x 30

DRAWING REFERENCE #
17-16-30-1

DRAWN BY: JK
REV. 3 JUL 13
SHEET 2 OF 2