

MISCELLANEOUS INFORMATION

PERIMETER:	83'11"
SURFACE AREA:	408 SQ FT
VOLUME:	12532 IMP GALS 57021 LITER

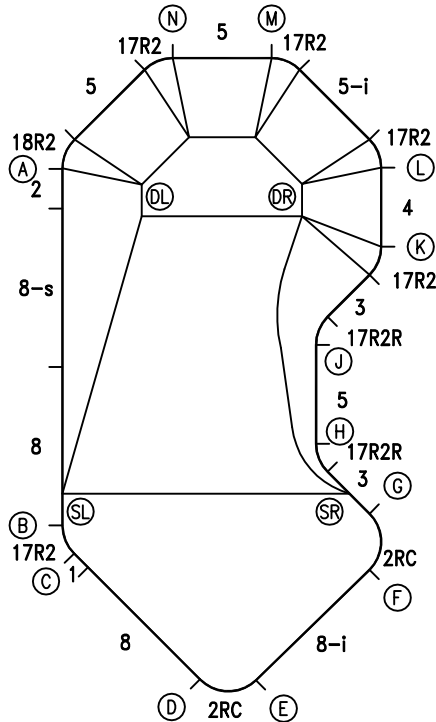
CONCRETE DECK INFO

WIDTH	AREA	NET INCREASES FOR:			
		STEPS	DIVING	SLIDE	ROLLER
2'	180	13	27	24	10
2'6"	229	17	31	20	10
3'	280	20	36	16	10

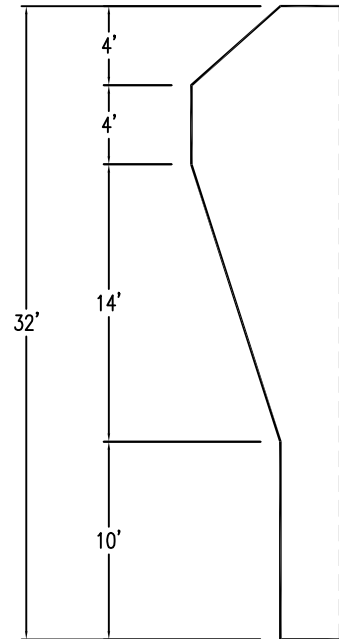
All Figures Represent "Sq Ft"

PARTS LIST

CODE	QTY	DESCRIPTION
17R2	5	1'7" Plain x 2' Radius
8	2	8' Plain
8-s	1	8' Skimmer
2	1	2' Plain
18R2	1	1'8" Plain x 2' Radius
5	3	5' Plain
5-i	1	5' Return
4	1	4' Plain
3	2	3' Plain
17R2R	2	1'7" Plain x 2' Reverse Radius
2RC	2	3'2" Plain x 2' Rad Cnr
8-i	1	8' Return
1	1	1' Plain
AF	23	A-Frame
S	46	Stakes
NB	138	Nuts & Bolts

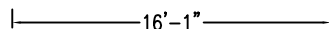


6" WATER LINE



INSTALLATION DATA

From Point "A" to:-		From Point "B" to:-	
B	18'-0"	B	1'-6 1/4"
C	19'-5"	C	10'-5"
D	26'-8 1/4"	D	12'-6 1/4"
E	27'-7 1/4"	E	15'-8"
F	25'-6"	F	15'-6 1/4"
G	23'-3 3/4"	G	13'-5 1/2"
H	18'-10 1/2"	H	15'-8 3/4"
J	15'-6 3/4"	J	21'-4 1/2"
K	16'-6 3/4"	K	24'-2 1/2"
L	16'-1 1/4"	L	25'-10 1/4"
M	11'-11 1/2"	M	24'-3"
N	7'-10 3/4"	N	1'-7 1/4"
SL	16'-4 3/4"	SL	14'-6 3/4"
SR	21'-10 1/2"	SR	16'-1 1/4"
DL	4'-7 3/4"	DL	19'-8 3/4"
DR	12'-4"		



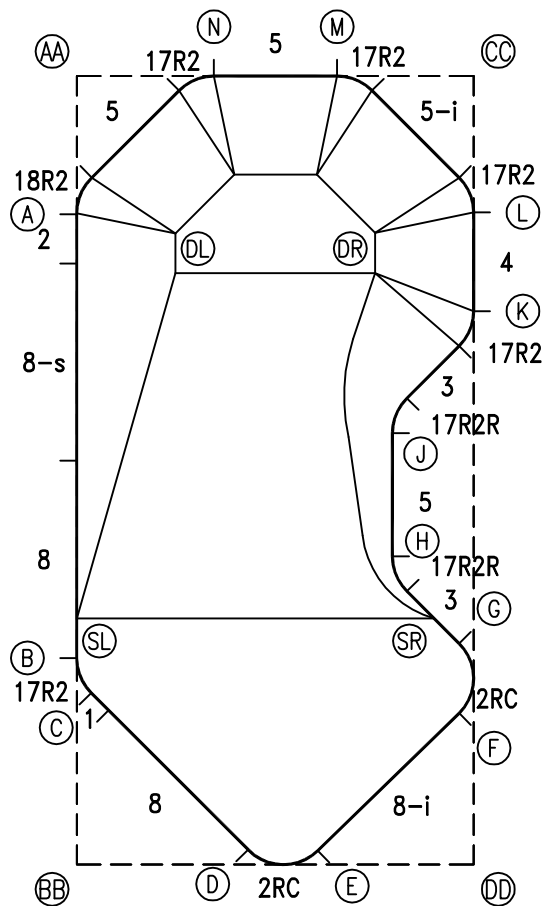
*ALL DIMENSIONS ARE FINISHED



NOTICE

SWIMMING POOLS AND ACCESSORIES (INCLUDING DIVING BOARDS) ARE DANGEROUS WHEN IMPROPERLY USED OR INSTALLED. IT IS THE RESPONSIBILITY OF MUNICIPAL OFFICIALS, BUILDERS AND POOL OWNERS TO ADHERE TO ALL SAFETY RECOMMENDATIONS AND STANDARDS ISSUED BY THE POOL & HOT TUB COUNCIL, LOCAL AUTHORITIES AND EQUIPMENT MANUFACTURERS. PLEASE REFER TO DIVING BOARD MANUFACTURERS FOR CORRECT POSITIONING AND INSTALLATION OF DIVING EQUIPMENT.

PERIMETER: 83'11"

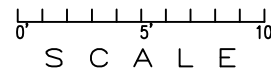


EXTERNAL INSTALLATION DATA

AA TO:	BB TO:	CC TO:	DD TO:
AA ---	AA 31'-11 3/4"	AA 16'-1 1/4"	AA 35'-9 3/4"
BB ---	BB ---	BB 35'-9 3/4"	BB 16'-1 1/4"
CC ---	CC ---	CC ---	CC 31'-11 3/4"
A 5'-7 1/4"	A 26'-4 1/2"	A 17'-0 1/2"	A 30'-10 3/4"
B 23'-7 1/4"	B 8'-4 1/2"	B 28'-6 3/4"	B 18'-1 3/4"
C 25'-0 1/4"	C 6'-11 3/4"	C 29'-5 1/4"	C 17'-0"
D 32'-1 3/4"	D 6'-11 3/4"	D 32'-8 1/4"	D 9'-2"
E 32'-10 3/4"	E 9'-9 1/2"	E 32'-0 1/2"	E 6'-4"
F 30'-1 3/4"	F 16'-8 1/4"	F 25'-10 1/4"	F 6'-2"
G 27'-9"	G 17'-11"	G 23'-0 1/4"	G 8'-11 3/4"
H 23'-3 3/4"	H 17'-10 3/4"	H 19'-9"	H 12'-11 1/4"
J 19'-4"	J 21'-8 1/4"	J 14'-10 1/4"	J 17'-9 3/4"
K 18'-8 1/2"	K 27'-7 1/2"	K 9'-6 1/4"	K 22'-5 1/2"
L 17'-0 1/4"	L 30'-11 1/2"	L 5'-6 1/4"	L 26'-5 1/2"
M 10'-6 3/4"	M 33'-8 1/4"	M 5'-6 1/4"	M 32'-5 1/2"
N 5'-6 3/4"	N 32'-5 1/2"	N 10'-6 1/4"	N 33'-8 1/4"
SL 22'-0"	SL 9'-11 3/4"	SL 27'-3"	SL 18'-11 1/4"
SR 26'-4"	SR 17'-7 1/4"	SR 22'-0 3/4"	SR 10'-1 1/2"
DL 8'-11 1/4"	DL 24'-3 3/4"	DL 14'-6"	DL 26'-10 1/2"
DR 14'-6"	DR 26'-10 1/2"	DR 8'-11 1/4"	DR 24'-3 3/4"

NOTICE

SWIMMING POOLS AND ACCESSORIES (INCLUDING DIVING BOARDS) ARE DANGEROUS WHEN IMPROPERLY USED OR INSTALLED. IT IS THE RESPONSIBILITY OF MUNICIPAL OFFICIALS, BUILDERS AND POOL OWNERS TO ADHERE TO ALL SAFETY RECOMMENDATIONS AND STANDARDS ISSUED BY THE POOL & HOT TUB COUNCIL, LOCAL AUTHORITIES AND EQUIPMENT MANUFACTURERS. PLEASE REFER TO DIVING BOARD MANUFACTURERS FOR CORRECT POSITIONING AND INSTALLATION OF DIVING EQUIPMENT.



HIGHBURY POOLS LTD

LANAI - RIGHT 16 x 16 x 32

DRAWING REFERENCE #
17-16-32-2

DRAWN BY: JK
REV. 3 JUL 13
SHEET 2 OF 2