

MISCELLANEOUS INFORMATION

PERIMETER:-	89'11-1/8
SURFACE AREA:	484.7 SQ FT
VOLUME:	14961 IMP GALS 68072 L

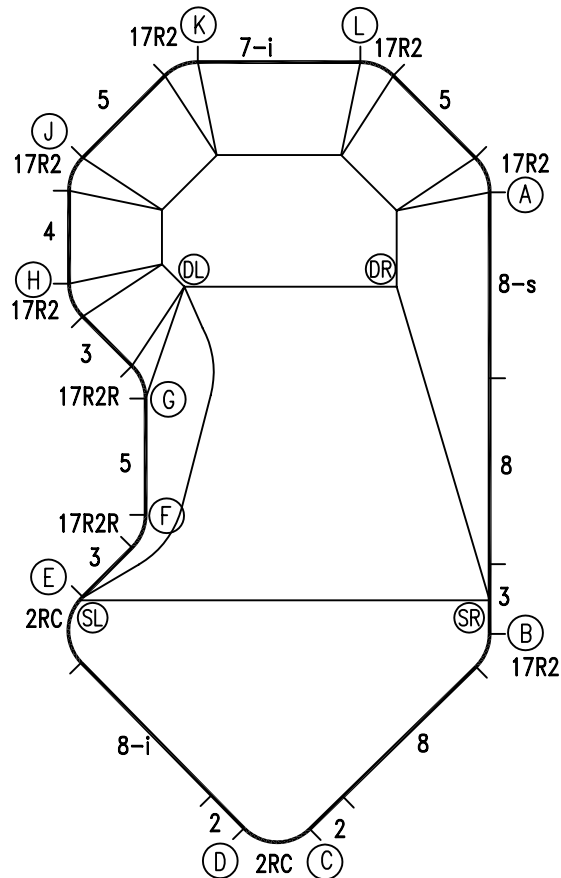
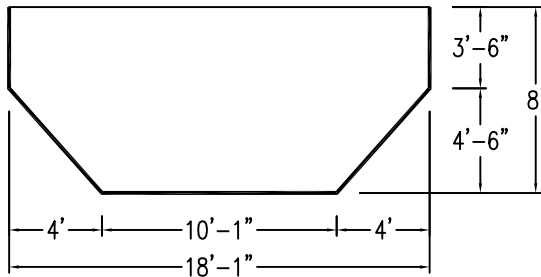
PARTS LIST

CODE	QTY	DESCRIPTION
8-s	1	8' Skimmer
8-i	1	8' Return
7-i	1	7' Return
8	2	8' Plain
5	3	5' Plain
4	1	4' Plain
3	3	3' Plain
2	2	2' Plain
17R2	6	1'7" Plain x 2' Radius
17R2R	2	1'7" Plain x 2' Reverse Rad
2RC	2	3'2" Plain x 2' Radius Cnr
AF	24	A-Frame
S	48	Stake
NB	144	Nuts & Bolts

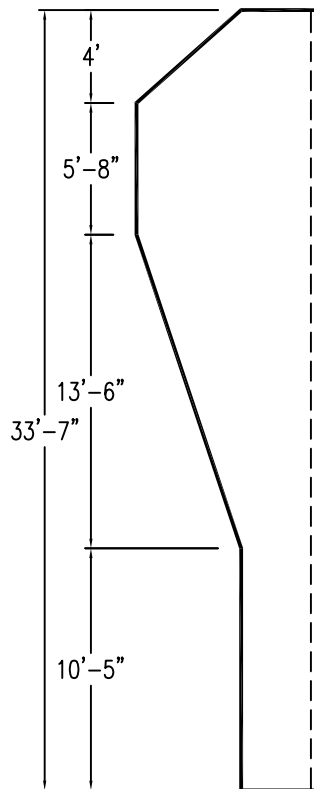
CONCRETE DECK INFO

WIDTH	AREA	NET INCREASES FOR:			
		STEPS	DIVING	SLIDE	ROLLER
2'	192	13	27	24	10
2'6"	244	17	31	20	10
3'	298	20	36	16	10

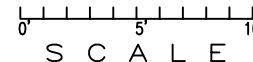
All Figures Represent "Sq Ft"



6" WATER LINE - I - I



*ALL DIMENSIONS ARE FINISHED



INSTALLATION DATA

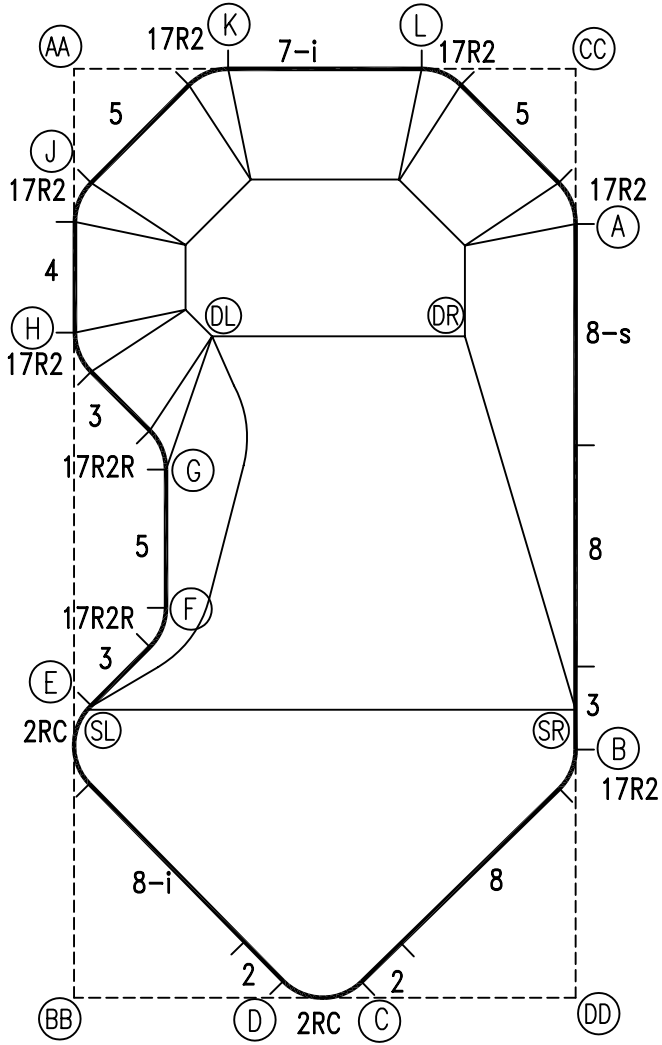
From Point "A" to:-		From Point "B" to:-	
B	19'-0"	B	
C	28'-5 5/8"	C	11'-5"
D	29'-4 1/8"	D	13'-5 3/4"
E	24'-8 3/8"	E	17'-7"
F	20'-3 1/2"	F	15'-8"
G	17'-3 1/8"	G	17'-11 1/4"
H	18'-6 1/4"	H	23'-6 5/8"
J	17'-6 7/8"	J	26'-11 3/8"
K	13'-9 1/8"	K	27'-7 5/8"
L	7'-10 3/4"	L	25'-2 3/4"
SL	24'-10 3/4"	SL	17'-8 1/2"
SR	17'-6 3/4"	SR	1'-5 1/4"
DL	13'-9"	DL	19'-10 3/4"
DR	5'-8 3/8"	DR	15'-5 5/8"

NOTICE

SWIMMING POOLS AND ACCESSORIES (INCLUDING DIVING BOARDS) ARE DANGEROUS WHEN IMPROPERLY USED OR INSTALLED. IT IS THE RESPONSIBILITY OF MUNICIPAL OFFICIALS, BUILDERS AND POOL OWNERS TO ADHERE TO ALL SAFETY RECOMMENDATIONS AND STANDARDS ISSUED BY THE POOL & HOT TUB COUNCIL, LOCAL AUTHORITIES AND EQUIPMENT MANUFACTURERS. PLEASE REFER TO DIVING BOARD MANUFACTURERS FOR CORRECT POSITIONING AND INSTALLATION OF DIVING EQUIPMENT.

EXTERNAL INSTALLATION DATA

AA TO:	BB TO:	CC TO:	DD TO:
AA ---	AA 33'-6 7/8"	AA 18'-1 5/8"	AA 38'-1 7/8"
BB ---	BB ---	BB 38'-1 7/8"	BB 18'-1 5/8"
CC ---	CC ---	CC ---	CC 33'-6 7/8"
A 18'-11 3/4"	A 33'-3 7/8"	A 5'-7 1/4"	A 27'-11 5/8"
B 30'-6 3/4"	B 20'-2 3/4"	B 24'-7 1/4"	B 8'-11 5/8"
C 34'-7 1/4"	C 10'-4 7/8"	C 33'-10 3/4"	C 7'-9 1/8"
D 33'-10"	D 7'-7"	D 34'-7 5/8"	D 10'-7"
E 23'-0 3/8"	E 10'-6 7/8"	E 28'-11 1/8"	E 20'-5 3/8"
F 19'-9 1/4"	F 14'-5 3/4"	F 24'-5 5/8"	F 20'-5 1/4"
G 14'-10 3/8"	G 19'-4 1/2"	G 20'-8 1/2"	G 24'-1 7/8"
H 9'-6 3/8"	H 24'-0 1/2"	H 20'-5 1/2"	H 30'-1 1/8"
J 4'-2"	J 29'-5 1/2"	J 17'-11 7/8"	J 34'-3 1/4"
K 5'-6 7/8"	K 34'-0 3/8"	K 12'-6 3/4"	K 35'-10 1/4"
L 12'-6 7/8"	L 35'-10 1/4"	L 5'-6 3/4"	L 34'-0 3/8"
SL 23'-2"	SL 10'-5 1/8"	SL 29'-1 1/2"	SL 20'-5 7/8"
SR 29'-5"	SR 20'-10 7/8"	SR 23'-1 7/8"	SR 10'-4 7/8"
DL 10'-10 1/2"	DL 24'-5 1/8"	DL 16'-3 3/4"	DL 27'-3 3/8"
DR 17'-1 1/2"	DR 27'-9 1/4"	DR 10'-5 1/2"	DR 24'-2 7/8"



0' 5' 10'
SCALE

NOTICE

SWIMMING POOLS AND ACCESSORIES (INCLUDING DIVING BOARDS) ARE DANGEROUS WHEN IMPROPERLY USED OR INSTALLED. IT IS THE RESPONSIBILITY OF MUNICIPAL OFFICIALS, BUILDERS AND POOL OWNERS TO ADHERE TO ALL SAFETY RECOMMENDATIONS AND STANDARDS ISSUED BY THE POOL & HOT TUB COUNCIL, LOCAL AUTHORITIES AND EQUIPMENT MANUFACTURERS. PLEASE REFER TO DIVING BOARD MANUFACTURERS FOR CORRECT POSITIONING AND INSTALLATION OF DIVING EQUIPMENT.

HIGHBURY POOLS LTD

LANAI - LEFT 18 x 34

DRAWING REFERENCE #
17-18-34-1

DRAWN BY: JB
REV. 6 DEC 2006
SHEET 2 OF 2