

MISCELLANEOUS INFORMATION

PERIMETER:-	98'10-1/2
SURFACE AREA:	603.9 SQ FT
VOLUME:	18106 IMP GALS 82284 L

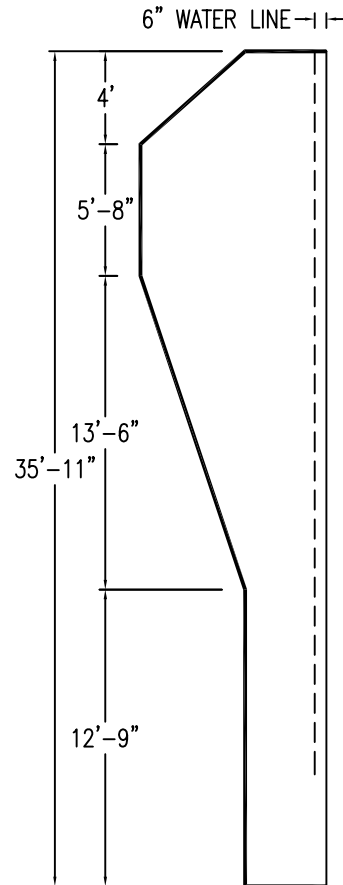
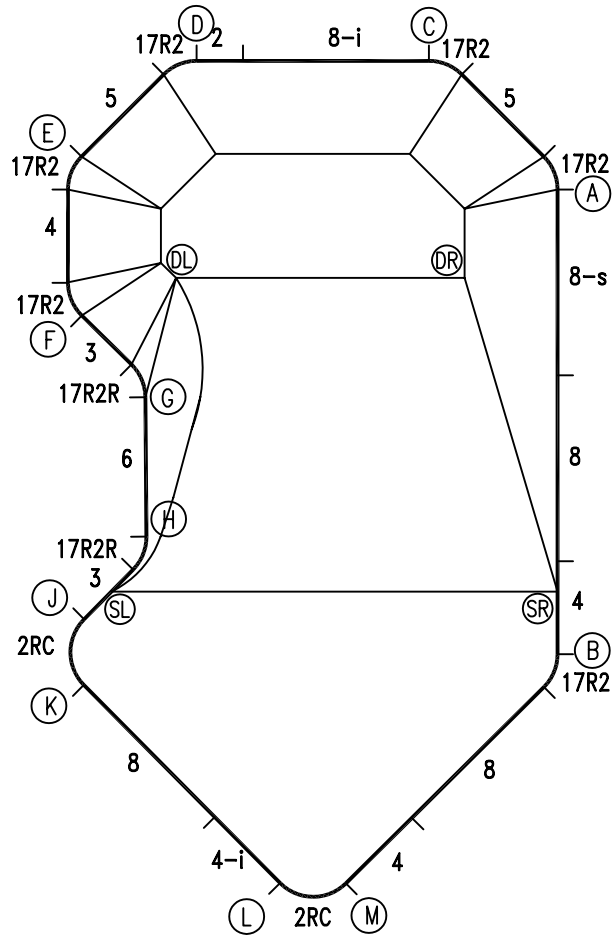
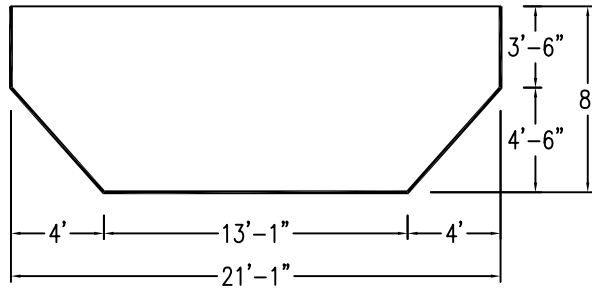
PARTS LIST

CODE	QTY	DESCRIPTION
8-s	1	8' Skimmer
8-i	1	8' Return
4-i	1	4' Return
8	3	8' Plain
6	1	6' Plain
5	2	5' Plain
4	3	4' Plain
3	2	3' Plain
2	1	2' Plain
17R2	6	1'7" Plain x 2' Radius
17R2R	2	1'7" Plain x 2' Reverse Rad
2RC	2	3'2" Plain x 2' Radius Cnr
AF	25	A-Frame
S	50	Stake
NB	150	Nuts & Bolts

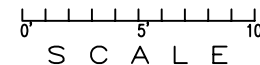
CONCRETE DECK INFO

WIDTH	AREA	NET INCREASES FOR:			
		STEPS	DIVING	SLIDE	ROLLER
2'	210	13	27	24	10
2'6"	267	17	31	20	10
3'	325	20	36	16	10

All Figures Represent "Sq Ft"



\*ALL DIMENSIONS ARE FINISHED



INSTALLATION DATA

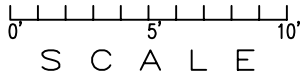
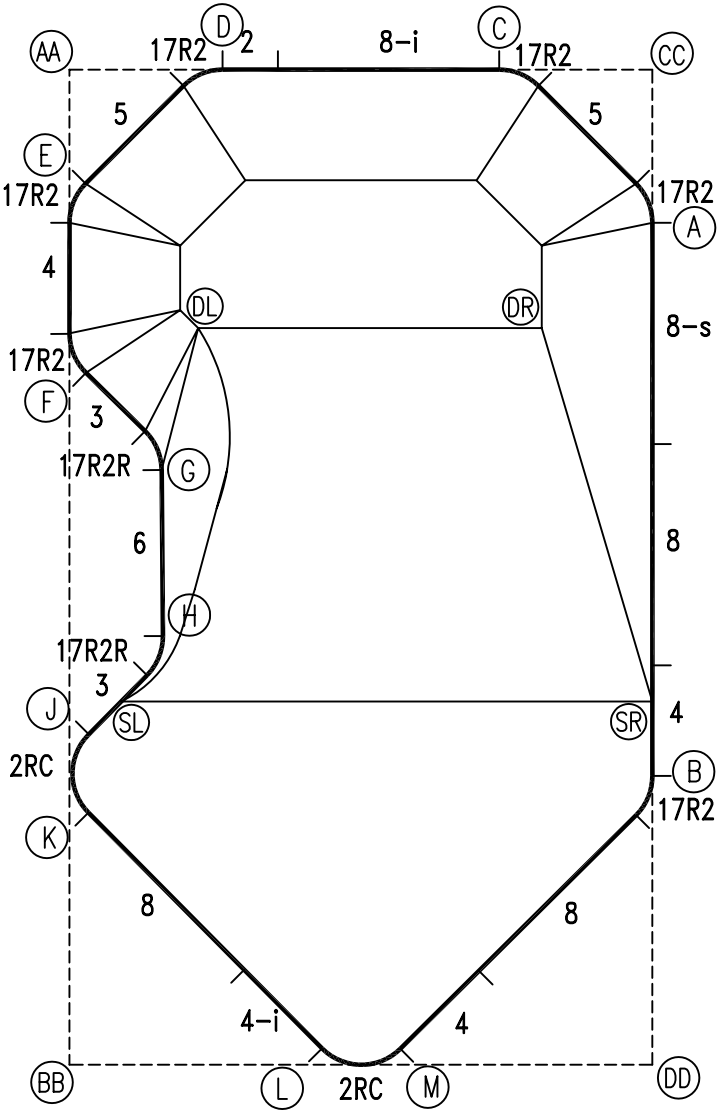
From Point "A" to:-		From Point "B" to:-	
B	20'-0"	B	26'-1 1/2"
C	7'-9 7/8"	C	29'-10 5/8"
D	16'-5 7/8"	D	29'-7 5/8"
E	20'-6 3/8"	E	25'-1 5/8"
F	21'-2 1/8"	F	20'-10 7/8"
G	19'-10 3/8"	G	18'-4 7/8"
H	23'-1 7/8"	H	20'-5 1/8"
J	27'-6 1/8"	J	20'-5 1/8"
K	29'-6"	K	20'-5 1/8"
L	32'-1 3/4"	L	15'-5 3/4"
M	31'-2 5/8"	M	13'-5 1/8"
SL	25'-10 1/4"	SL	19'-4 5/8"
SR	17'-3 5/8"	SR	2'-8 3/8"
DL	16'-10 1/4"	DL	23'-0 3/4"
DR	5'-6 1/4"	DR	16'-8 1/8"

NOTICE

SWIMMING POOLS AND ACCESSORIES (INCLUDING DIVING BOARDS) ARE DANGEROUS WHEN IMPROPERLY USED OR INSTALLED. IT IS THE RESPONSIBILITY OF MUNICIPAL OFFICIALS, BUILDERS AND POOL OWNERS TO ADHERE TO ALL SAFETY RECOMMENDATIONS AND STANDARDS ISSUED BY THE POOL & HOT TUB COUNCIL, LOCAL AUTHORITIES AND EQUIPMENT MANUFACTURERS. PLEASE REFER TO DIVING BOARD MANUFACTURERS FOR CORRECT POSITIONING AND INSTALLATION OF DIVING EQUIPMENT.

EXTERNAL INSTALLATION DATA

AA TO:	BB TO:	CC TO:	DD TO:
AA ---	AA 35'-11 3/4"	AA 21'-0 7/8"	AA 41'-8 1/4"
BB ---	BB ---	BB 41'-8 1/4"	BB 21'-0 7/8"
CC ---	CC ---	CC ---	CC 35'-11 3/4"
A 21'-9 3/8"	A 37'-0 1/4"	A 5'-6 3/8"	A 30'-5 1/4"
B 33'-1 1/4"	B 23'-6 1/8"	B 25'-6 3/8"	B 10'-5 1/4"
C 15'-6 3/8"	C 39'-2 1/4"	C 5'-6 3/8"	C 36'-4 3/4"
D 5'-6 3/8"	D 36'-4 3/4"	D 15'-6 3/8"	D 39'-2 1/4"
E 4'-1 7/8"	E 31'-10 3/8"	E 20'-10 3/4"	E 37'-10 1/2"
F 10'-11 3/4"	F 25'-0 1/4"	F 23'-2 5/8"	F 32'-3 7/8"
G 14'-10 1/4"	G 21'-9 1/8"	G 22'-10 3/4"	G 27'-10 1/2"
H 20'-9"	H 15'-10 3/8"	H 27'-0 3/4"	H 23'-6 1/4"
J 24'-0 1/2"	J 11'-11 5/8"	J 31'-6"	J 23'-7 3/8"
K 26'-10 3/8"	K 9'-1 3/4"	K 33'-8 5/8"	K 22'-3 7/8"
L 36'-6 1/2"	L 9'-1 7/8"	L 37'-4 1/8"	L 11'-11 3/8"
M 37'-4 3/8"	M 11'-11 3/4"	M 36'-6 5/8"	M 9'-1 1/2"
SL 22'-11"	SL 13'-3 1/4"	SL 29'-10 1/8"	SL 23'-3 1/8"
SR 31'-0 7/8"	SR 24'-9 7/8"	SR 22'-10 1/8"	SR 13'-1 5/8"
DL 10'-5 1/4"	DL 27'-0 1/2"	DL 18'-10 5/8"	DL 31'-3 1/2"
DR 19'-5 1/2"	DR 31'-7 5/8"	DR 10'-1 7/8"	DR 26'-11 1/4"



NOTICE

SWIMMING POOLS AND ACCESSORIES (INCLUDING DIVING BOARDS) ARE DANGEROUS WHEN IMPROPERLY USED OR INSTALLED. IT IS THE RESPONSIBILITY OF MUNICIPAL OFFICIALS, BUILDERS AND POOL OWNERS TO ADHERE TO ALL SAFETY RECOMMENDATIONS AND STANDARDS ISSUED BY THE POOL & HOT TUB COUNCIL, LOCAL AUTHORITIES AND EQUIPMENT MANUFACTURERS. PLEASE REFER TO DIVING BOARD MANUFACTURERS FOR CORRECT POSITIONING AND INSTALLATION OF DIVING EQUIPMENT.

HIGHBURY POOLS LTD

LANAI - LEFT 21 X 36

DRAWING REFERENCE #  
17-21-36-1

DRAWN BY: JB  
REV. 6 DEC 2006  
SHEET 2 OF 2