

MISCELLANEOUS INFORMATION

PERIMETER:	94'2"
SURFACE AREA:	541 SQ FT
VOLUME:	15476 IMP GALS 70416 LITER

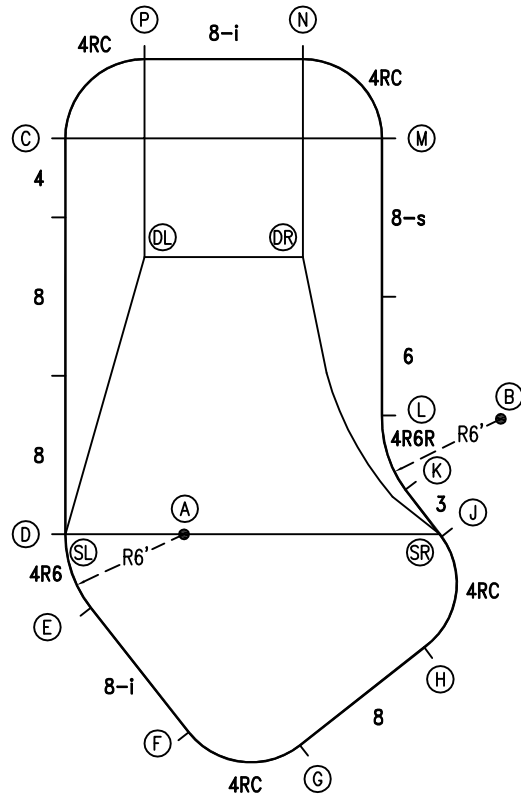
CONCRETE DECK INFO

WIDTH	AREA	NET INCREASES FOR:			
		STEPS	DIVING	SLIDE	ROLLER
2'	201	13	27	24	10
2'6"	255	17	31	20	10
3'	311	20	36	16	10

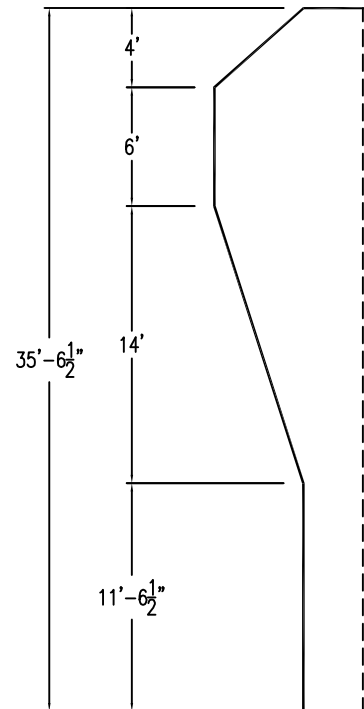
All Figures Represent "Sq Ft"

PARTS LIST

CODE	QTY	DESCRIPTION
4R6	1	4' Plain x 6' Radius
8	3	8' Plain
4	1	4' Plain
4RC	4	6'3" Plain x 4' Rad Cnr
8-i	2	8' Return
8-s	1	8' Skimmer
6	1	6' Plain
4R6R	1	4' Plain x 6' Reverse Radius
3	1	3' Plain
AF	15	A-Frame
S	30	Stakes
NB	90	Nuts & Bolts



6" WATER LINE

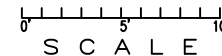


INSTALLATION DATA

From Point "A" to:-		From Point "B" to:-	
B	17'-0 1/4"	B	26'-2"
C	20'-10 1/2"	C	22'-9"
D	6'-0"	D	22'-9 1/2"
E	6'-0"	E	22'-3 3/4"
F	10'-0"	F	19'-4 1/4"
G	12'-1 3/4"	G	12'-1 3/4"
H	13'-4 3/4"	H	6'-7 3/4"
J	13'-0"	J	6'-0"
K	11'-4 3/4"	K	6'-0"
L	11'-7 3/4"	L	6'-0"
M	22'-4 1/4"	M	15'-4 3/4"
N	24'-8 3/4"	N	20'-8 3/4"
P	24'-0 3/4"	P	22'-9"
SL	6'-0"	SL	19'-9 1/4"
SR	12'-10 3/4"	SR	12'-10 3/4"
DL	14'-1 3/4"	DL	
DR	15'-2 3/4"	DR	

19'-9 1/2"

*ALL DIMENSIONS ARE FINISHED



NOTICE

SWIMMING POOLS AND ACCESSORIES (INCLUDING DIVING BOARDS) ARE DANGEROUS WHEN IMPROPERLY USED OR INSTALLED. IT IS THE RESPONSIBILITY OF MUNICIPAL OFFICIALS, BUILDERS AND POOL OWNERS TO ADHERE TO ALL SAFETY RECOMMENDATIONS AND STANDARDS ISSUED BY THE POOL & HOT TUB COUNCIL, LOCAL AUTHORITIES AND EQUIPMENT MANUFACTURERS. PLEASE REFER TO DIVING BOARD MANUFACTURERS FOR CORRECT POSITIONING AND INSTALLATION OF DIVING EQUIPMENT.

HIGHBURY POOLS LTD

LAZY L-CATALINA - RIGHT 16 x 20 x 36

DRAWING REFERENCE #
19-16-36-2

DRAWN BY: JK
REV. 22 AUG 13
SHEET 1 OF 2

