

MISCELLANEOUS INFORMATION

PERIMETER:	110'2"
SURFACE AREA:	718 SQ FT
VOLUME:	19448 IMP GALS 88488 LITER

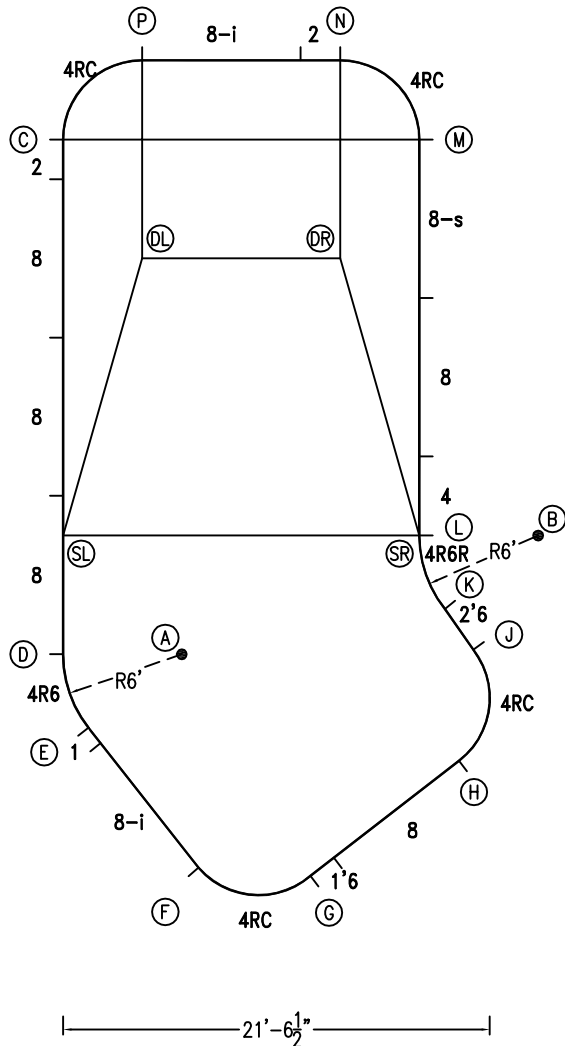
CONCRETE DECK INFO

WIDTH	AREA	NET INCREASES FOR:			
		STEPS	DIVING	SLIDE	ROLLER
2'	233	13	27	24	10
2'6"	295	17	31	20	10
3'	359	20	36	16	10

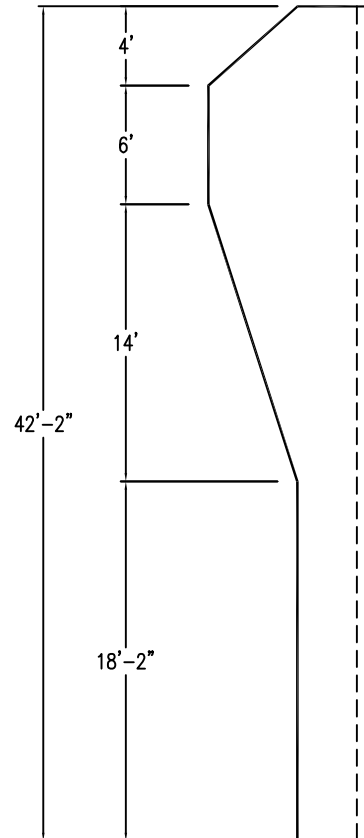
All Figures Represent "Sq Ft"

PARTS LIST

CODE	QTY	DESCRIPTION
4R6	1	4' Plain x 6' Radius
8	5	8' Plain
2	2	2' Plain
4RC	4	6'3" Plain x 4' Rad Cnr
8-i	2	8' Return
8-s	1	8' Skimmer
4	1	4' Plain
4R6R	1	4' Plain x 6' Reverse Radius
2'6	1	2'6" Plain
1'6	1	1'6" Plain
1	1	1' Plain
AF	20	A-Frame
S	40	Stakes
NB	120	Nuts & Bolts



6" WATER LINE



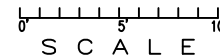
INSTALLATION DATA

From Point "A" to:-		From Point "B" to:-	
B	18'-11 1/2"	B	31'-2 3/4"
C	26'-8 1/4"	C	31'-8 3/4"
D	6'-0"	D	24'-8 3/4"
E	6'-0"	E	24'-8 1/2"
F	10'-9 3/4"	F	24'-0"
G	12'-11 1/4"	G	20'-8 1/4"
H	15'-0"	H	12'-0 3/4"
J	14'-8 1/2"	J	6'-7 1/2"
K	13'-5 3/4"	K	6'-0"
L	13'-4 3/4"	L	6'-0"
M	28'-7 1/2"	M	20'-10 1/2"
N	31'-0 1/2"	N	26'-0"
P	30'-0 3/4"	P	31'-2 3/4"
SL	8'-5 3/4"	SL	24'-0"
SR	13'-4 3/4"	SR	6'-0"
DL	20'-1 1/4"	DL	24'-4 3/4"
DR	21'-6 1/2"	DR	17'-2 1/2"

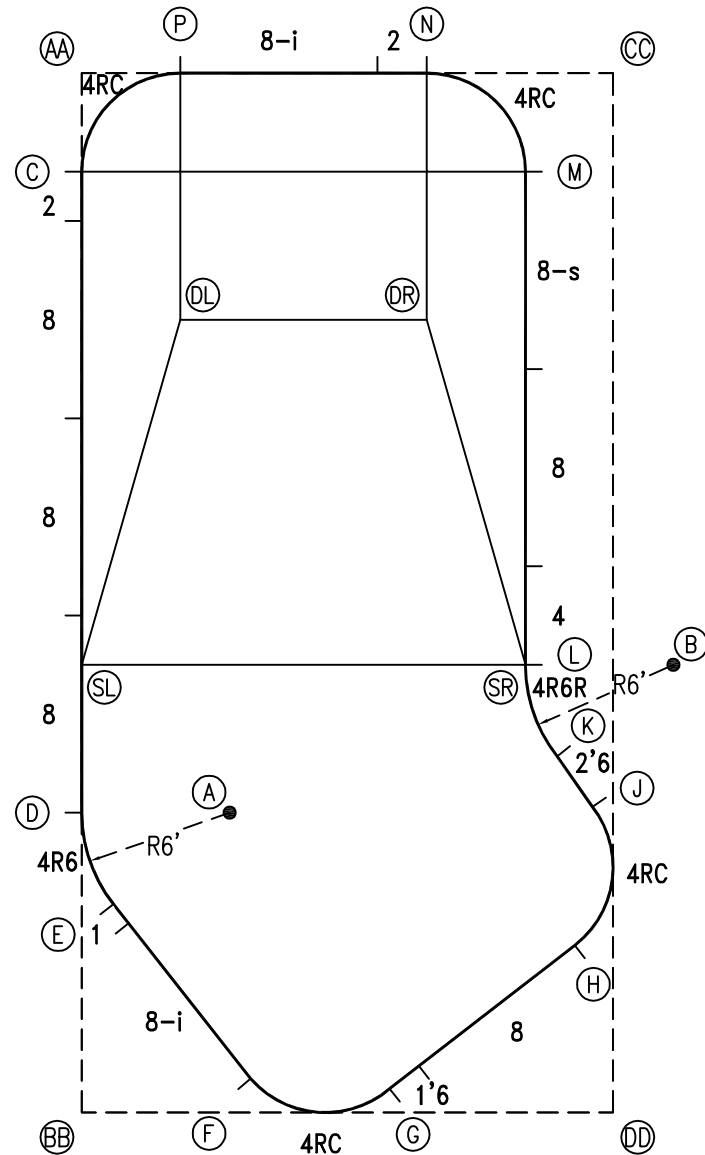
NOTICE

SWIMMING POOLS AND ACCESSORIES (INCLUDING DIVING BOARDS) ARE DANGEROUS WHEN IMPROPERLY USED OR INSTALLED. IT IS THE RESPONSIBILITY OF MUNICIPAL OFFICIALS, BUILDERS AND POOL OWNERS TO ADHERE TO ALL SAFETY RECOMMENDATIONS AND STANDARDS ISSUED BY THE POOL & HOT TUB COUNCIL, LOCAL AUTHORITIES AND EQUIPMENT MANUFACTURERS. PLEASE REFER TO DIVING BOARD MANUFACTURERS FOR CORRECT POSITIONING AND INSTALLATION OF DIVING EQUIPMENT.

*ALL DIMENSIONS ARE FINISHED



PERIMETER: 110'2"

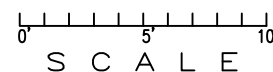


EXTERNAL INSTALLATION DATA

AA TO:	BB TO:	CC TO:	DD TO:
AA ---	AA 42'-2"	AA 21'-6 1/2"	AA 47'-4 1/4"
BB ---	BB ---	BB 47'-4 1/4"	BB 21'-6 1/2"
CC ---	CC ---	CC ---	CC 42'-2"
A 30'-7"	A 13'-6 3/4"	A 33'-9 1/2"	A 19'-8 3/4"
B 33'-11 1/4"	B 30'-1 1/4"	B 24'-1 1/2"	B 18'-3 3/4"
C 4'-0"	C 38'-2"	C 21'-11"	C 43'-10"
D 30'-0"	D 12'-2"	D 36'-11 1/4"	D 24'-9"
E 33'-8 3/4"	E 8'-6 1/2"	E 39'-4"	E 21'-11 1/2"
F 41'-4 1/4"	F 6'-11 3/4"	F 43'-4 1/4"	F 14'-9 1/4"
G 43'-0 1/2"	G 12'-6 1/4"	G 42'-2"	G 9'-1 1/4"
H 40'-7 3/4"	H 21'-1 1/2"	H 35'-4 3/4"	H 6'-11 1/2"
J 36'-3 1/4"	J 24'-1 3/4"	J 29'-9 1/4"	J 12'-5"
K 33'-9"	K 24'-1 1/4"	K 27'-9 1/2"	K 14'-7 1/2"
L 30'-0"	L 25'-6 3/4"	L 24'-3"	L 18'-6"
M 18'-5 1/4"	M 42'-2 1/4"	M 5'-4 1/4"	M 38'-4"
N 14'-0"	N 44'-5 1/4"	N 7'-6 1/2"	N 42'-10"
P 4'-0"	P 42'-4 1/4"	P 17'-6 1/2"	P 45'-8"
SL 24'-0"	SL 18'-2"	SL 32'-3"	SL 28'-2 1/4"
SR 30'-0"	SR 25'-6 3/4"	SR 24'-3"	SR 18'-6"
DL 10'-9 1/4"	DL 32'-5"	DL 20'-2 1/2"	DL 36'-7 3/4"
DR 17'-2 1/2"	DR 35'-1"	DR 12'-6 1/4"	DR 33'-0 1/2"

DIAGONALS

From Point "C" to:-	From Point "D" to:-
D 26'-0"	D 3'-11 1/8"
E 29'-8 7/8"	E 12'-9 1/4"
F 37'-4 7/8"	F 16'-9 1/4"
G 39'-2 7/8"	G 20'-8 1/2"
H 37'-2 1/2"	H 20'-8 5/8"
J 33'-0 3/4"	J 19'-5"
K 30'-6 3/4"	K 18'-11 5/8"
L 26'-10 7/8"	L 31'-7 1/2"
M 18'-0"	M 33'-1 1/4"
N 14'-6 3/4"	N 30'-3 1/8"
P 5'-7 7/8"	



NOTICE

SWIMMING POOLS AND ACCESSORIES (INCLUDING DIVING BOARDS) ARE DANGEROUS WHEN IMPROPERLY USED OR INSTALLED. IT IS THE RESPONSIBILITY OF MUNICIPAL OFFICIALS, BUILDERS AND POOL OWNERS TO ADHERE TO ALL SAFETY RECOMMENDATIONS AND STANDARDS ISSUED BY THE POOL & HOT TUB COUNCIL, LOCAL AUTHORITIES AND EQUIPMENT MANUFACTURERS. PLEASE REFER TO DIVING BOARD MANUFACTURERS FOR CORRECT POSITIONING AND INSTALLATION OF DIVING EQUIPMENT.

HIGHBURY POOLS LTD

LAZY L-CATALINA - RIGHT 18 x 22 x 42

DRAWING REFERENCE #
19-18-42-2

DRAWN BY: JK
REV. 22 AUG 13
SHEET 2 OF 2