

### MISCELLANEOUS INFORMATION

PERIMETER:-	120'1"
SURFACE AREA:	853.4 SQ FT
VOLUME:	22110 IMP GALS 100601 L

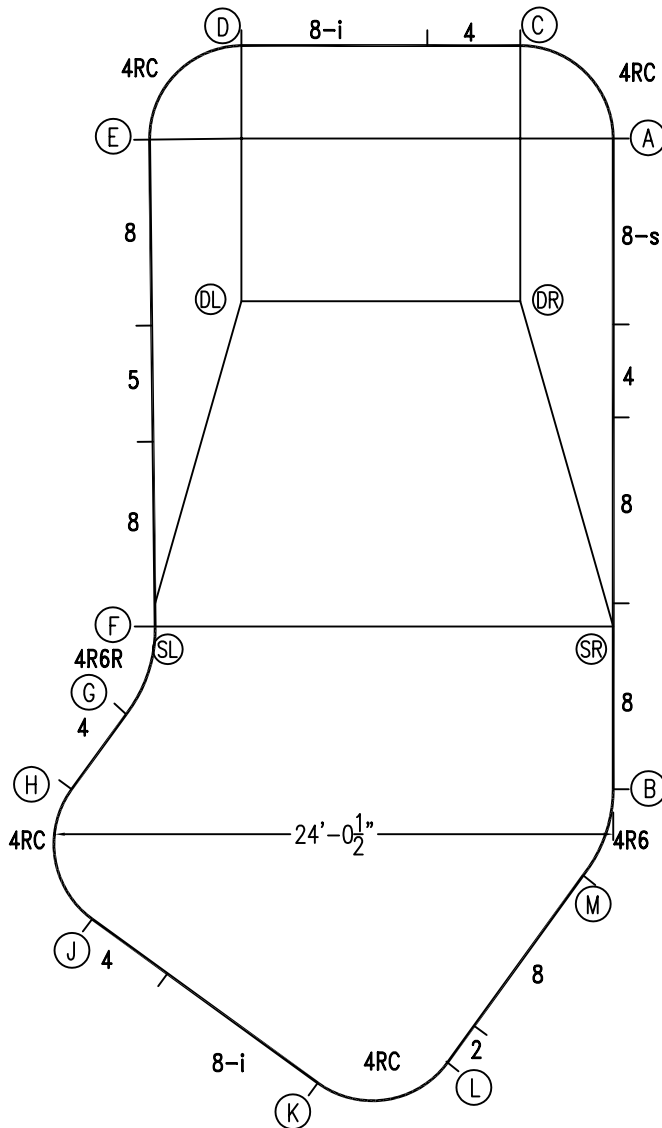
### CONCRETE DECK INFO

WIDTH	AREA	NET INCREASES FOR:			
		STEPS	DIVING	SLIDE	ROLLER
2'	253	13	27	24	10
2'6"	320	17	31	20	10
3'	389	20	36	16	10

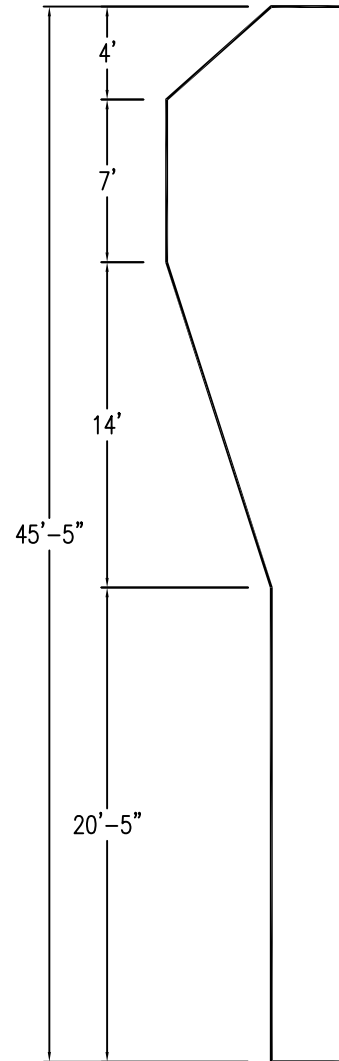
All Figures Represent "Sq Ft"

### PARTS LIST

CODE	QTY	DESCRIPTION
8-s	1	8' Skimmer
8-i	2	8' Return
8	5	8' Plain
5	1	5' Plain
4	4	4' Plain
2	1	2' Plain
4RC	4	6'3-1/2" Plain x 4' Rad Cnr
4R6R	1	4' Plain x 6' Reverse Radius
4R6	1	4' Plain x 6' Radius
AF	20	A-Frame
S	40	Stake
NB	120	Nuts & Bolts



6" WATER LINE - - -

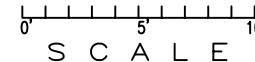


### INSTALLATION DATA

From Point "A" to:-		From Point "B" to:-	
B	28'-0"	B	32'-2 7/8"
C	5'-7 7/8"	C	35'-9 3/8"
D	16'-5 7/8"	D	34'-4 1/8"
E	19'-11 1/2"	E	20'-10 7/8"
F	28'-10"	F	21'-2 3/4"
G	32'-5 1/2"	G	23'-3 3/4"
H	36'-5 1/4"	H	23'-1 3/8"
J	40'-4 5/8"	J	17'-11 1/8"
K	42'-7"	K	13'-9"
L	40'-4 3/4"	L	3'-11 1/8"
M	31'-8 3/4"	SL	20'-10 7/8"
SL	28'-10"	SR	7'-0"
SR	21'-0"	DL	26'-4 3/4"
DL	17'-5 5/8"	DR	21'-4 1/2"
DR	8'-0 3/4"		

### NOTICE

SWIMMING POOLS AND ACCESSORIES (INCLUDING DIVING BOARDS) ARE DANGEROUS WHEN IMPROPERLY USED OR INSTALLED. IT IS THE RESPONSIBILITY OF MUNICIPAL OFFICIALS, BUILDERS AND POOL OWNERS TO ADHERE TO ALL SAFETY RECOMMENDATIONS AND STANDARDS ISSUED BY THE POOL & HOT TUB COUNCIL, LOCAL AUTHORITIES AND EQUIPMENT MANUFACTURERS. PLEASE REFER TO DIVING BOARD MANUFACTURERS FOR CORRECT POSITIONING AND INSTALLATION OF DIVING EQUIPMENT.



\*ALL DIMENSIONS ARE FINISHED

HIGHBURY POOLS LTD

LAZY-L CATALINA - LEFT 20x45

DRAWING REFERENCE #  
19-20-45-1

DRAWN BY: JB  
REV. 5 FEB 2007  
SHEET 1 OF 2

