

MISCELLANEOUS INFORMATION

PERIMETER:- 87'1-1/2"
SURFACE AREA:436.5 SQ FT
VOLUME: 9732 IMP GALS 44239 L

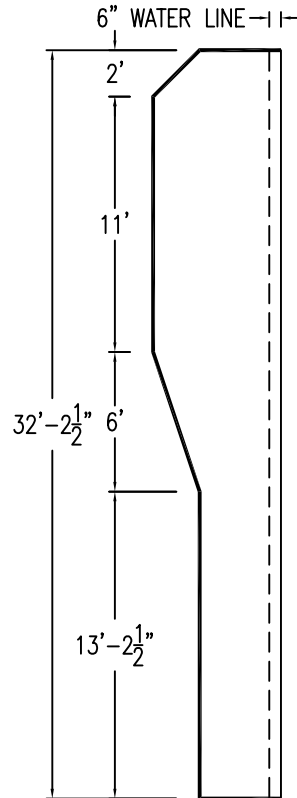
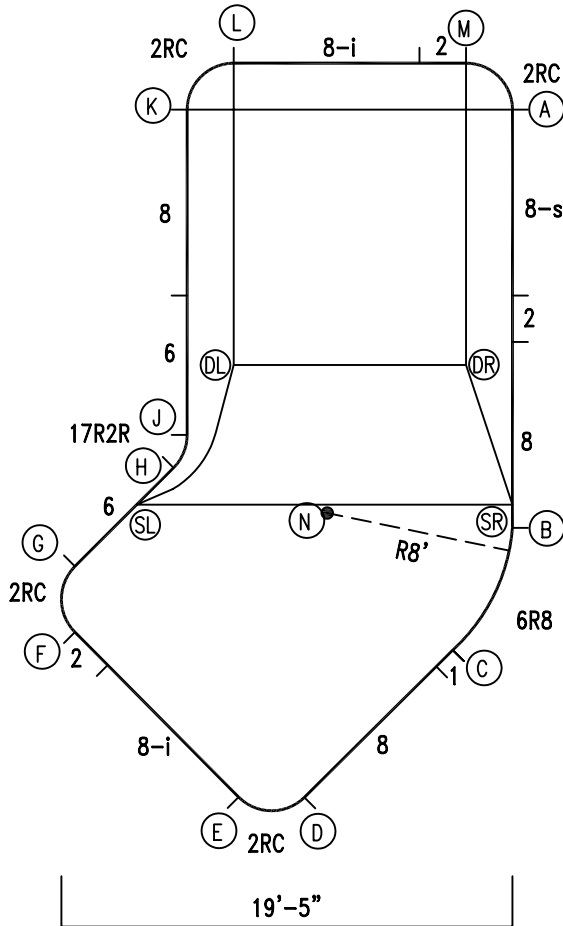
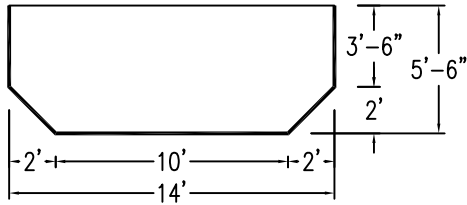
PARTS LIST

CODE	QTY	DESCRIPTION
8-s	1	8' Skimmer
8-i	2	8' Return
8	3	8' Panel
6	2	6' Panel
2	3	2' Panel
1	1	1' Panel
6R8	1	6' Panel x 8' Radius
17R2R	1	1'7"Panel x 2' Reverse Rad
2RC	4	3'2 Panel x 2' Radius
AF	18	A-Frame
S	36	Stakes
NB	108	Nuts & Bolts

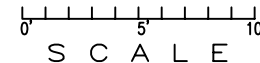
CONCRETE DECK INFO

WIDTH	AREA	NET INCREASES FOR:			
		STEPS	DIVING	SLIDE	ROLLER
2'	188	13	27	24	10
2'6"	239	17	31	20	10
3'	291	20	36	16	10

All Figures Represent "Sq Ft"



\*ALL DIMENSIONS ARE FINISHED



INSTALLATION DATA

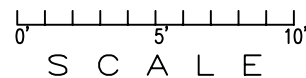
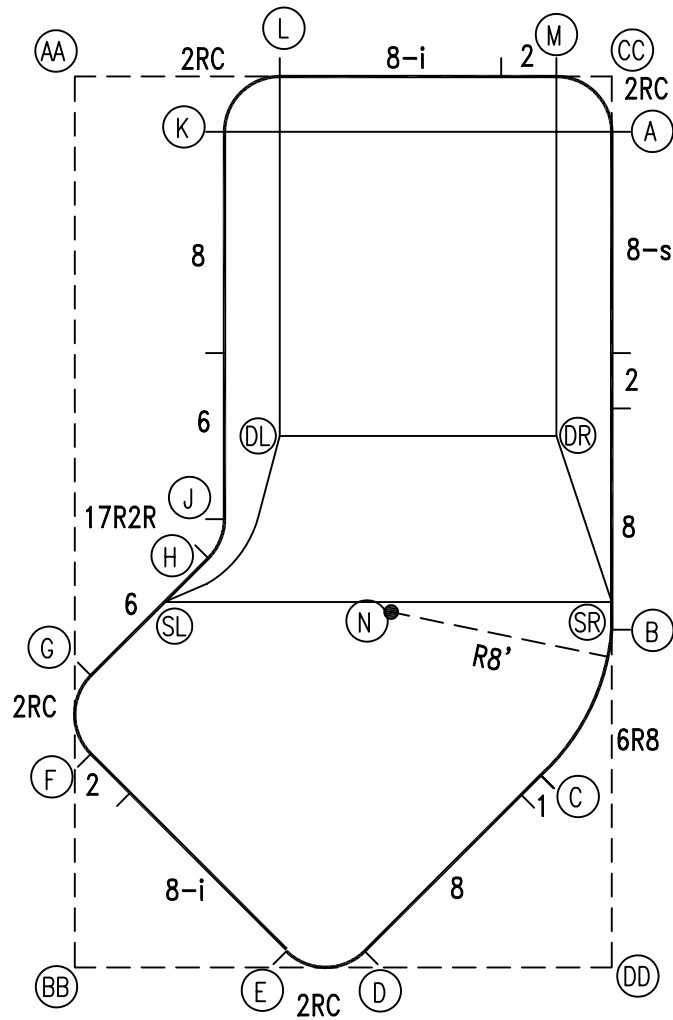
From Point "A" to:-		From Point "B" to:-	
B	18'-0"	B	
C	23'-4 3/4"	C	5'-10 1/4"
D	30'-11 1/4"	D	14'-7 7/8"
E	31'-9 3/4"	E	16'-5 7/8"
F	29'-3 7/8"	F	19'-4 1/4"
G	27'-2 5/8"	G	18'-10 7/8"
H	21'-2 5/8"	H	14'-9 3/4"
J	19'-9 5/8"	J	14'-6 3/4"
K	14'-0"	K	22'-9 5/8"
L	12'-1 7/8"	L	23'-3 7/8"
M	2'-9 7/8"	M	20'-1 1/4"
SL	23'-5 1/2"	SL	16'-2 3/8"
SR	17'-0"	SR	1'-0"
DL	16'-3 1/4"	DL	13'-10 3/4"
DR	11'-2 1/8"	DR	7'-3 1/2"

NOTICE

SWIMMING POOLS AND ACCESSORIES (INCLUDING DIVING BOARDS) ARE DANGEROUS WHEN IMPROPERLY USED OR INSTALLED. IT IS THE RESPONSIBILITY OF MUNICIPAL OFFICIALS, BUILDERS AND POOL OWNERS TO ADHERE TO ALL SAFETY RECOMMENDATIONS AND STANDARDS ISSUED BY THE POOL & HOT TUB COUNCIL, LOCAL AUTHORITIES AND EQUIPMENT MANUFACTURERS. PLEASE REFER TO DIVING BOARD MANUFACTURERS FOR CORRECT POSITIONING AND INSTALLATION OF DIVING EQUIPMENT.

EXTERNAL INSTALLATION DATA

AA TO:	BB TO:	CC TO:	DD TO:
AA ---	AA 32'-2 1/2"	AA 19'-4 7/8"	AA 37'-7 1/4"
BB ---	BB ---	BB 37'-7 1/4"	BB 19'-4 7/8"
CC ---	CC ---	CC ---	CC 32'-2 1/2"
A 19'-6 1/4"	A 35'-10 7/8"	A 2'-0"	A 30'-2 1/2"
B 27'-10 1/2"	B 22'-11 1/4"	B 20'-0"	B 12'-2 1/2"
C 30'-4 3/8"	C 18'-2 5/8"	C 25'-4 5/8"	C 7'-4 7/8"
D 33'-3 3/4"	D 10'-5 7/8"	D 32'-10 1/4"	D 8'-11 3/8"
E 32'-6 3/8"	E 7'-8 1/8"	E 33'-8 7/8"	E 11'-9 1/4"
F 24'-5 7/8"	F 7'-8 7/8"	F 30'-10 5/8"	F 20'-4 1/4"
G 21'-7 7/8"	G 10'-6 3/4"	G 28'-8 3/8"	G 21'-6 7/8"
H 18'-0 7/8"	H 15'-6 3/4"	H 22'-8 5/8"	H 20'-9 1/4"
J 16'-10 3/4"	J 17'-1"	J 21'-3 1/8"	J 21'-4 7/8"
K 5'-9 1/4"	K 30'-8 1/4"	K 14'-1 3/4"	K 33'-3 1/2"
L 7'-4 7/8"	L 33'-0 5/8"	L 12'-0"	L 34'-4 3/8"
M 17'-4 7/8"	M 36'-7 3/8"	M 2'-0"	M 32'-3 1/4"
SL 19'-3 1/4"	SL 13'-7 1/8"	SL 24'-11 3/8"	SL 20'-10 1/2"
SR 27'-1 7/8"	SR 23'-5 3/4"	SR 19'-0"	SR 13'-2 1/2"
DL 14'-11 1/2"	DL 20'-7 1/8"	DL 17'-8 1/4"	DL 22'-7 7/8"
DR 21'-8 3/4"	DR 25'-11 1/8"	DR 13'-1 3/4"	DR 19'-3 7/8"



NOTICE

SWIMMING POOLS AND ACCESSORIES (INCLUDING DIVING BOARDS) ARE DANGEROUS WHEN IMPROPERLY USED OR INSTALLED. IT IS THE RESPONSIBILITY OF MUNICIPAL OFFICIALS, BUILDERS AND POOL OWNERS TO ADHERE TO ALL SAFETY RECOMMENDATIONS AND STANDARDS ISSUED BY THE POOL & HOT TUB COUNCIL, LOCAL AUTHORITIES AND EQUIPMENT MANUFACTURERS. PLEASE REFER TO DIVING BOARD MANUFACTURERS FOR CORRECT POSITIONING AND INSTALLATION OF DIVING EQUIPMENT.

HIGHBURY POOLS LTD

LAZY-L LEFT

14 x 32

DRAWING REFERENCE #

18-14-32-1

DRAWN BY: JB

REV. 7 DEC 2006

SHEET 2 OF 2