

MISCELLANEOUS INFORMATION

PERIMETER:	91'2"
SURFACE AREA:	498 SQ FT
VOLUME:	12611 IMP GALS 57380 LITER

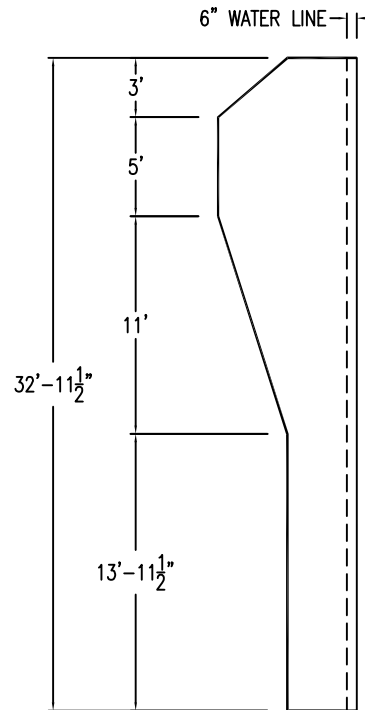
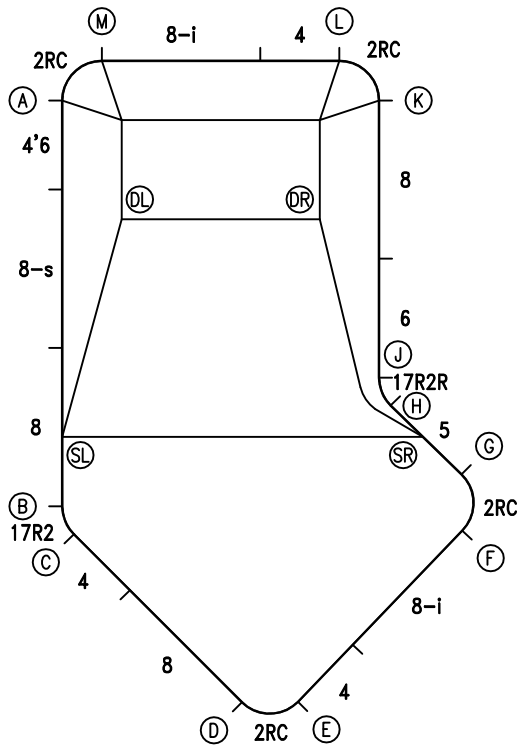
CONCRETE DECK INFO

WIDTH	AREA	NET INCREASES FOR:			
		STEPS	DIVING	SLIDE	ROLLER
2'	195	13	27	24	10
2'6"	248	17	31	20	10
3'	302	20	36	16	10

All Figures Represent "Sq Ft"

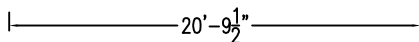
PARTS LIST

CODE	QTY	DESCRIPTION
17R2	1	1'7" Plain x 2' Radius
8	3	8' Plain
8-s	1	8' Skimmer
4'6	1	4'6" Plain
2RC	4	3'2" Plain x 2' Rad Cnr
8-i	2	8' Return
4	3	4' Plain
6	1	6' Plain
17R2R	1	1'7" Plain x 2' Reverse Radius
5	1	5' Plain
AF	18	A-Frame
S	36	Stakes
NB	108	Nuts & Bolts

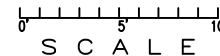


INSTALLATION DATA

From Point "A" to:-		From Point "B" to:-	
B	20'-6"	B	1'-6 1/4"
C	21'-11"	C	13'-5"
D	31'-8 3/4"	D	15'-5 1/2"
E	32'-7 1/2"	E	20'-2 3/4"
F	29'-8"	F	20'-2 3/4"
G	27'-7 1/2"	G	20'-2 3/4"
H	22'-7 3/4"	H	17'-4"
J	21'-3"	J	17'-3 1/4"
K	16'-0"	K	26'-0"
L	14'-1 3/4"	L	26'-6"
M	2'-9 3/4"	M	22'-7"
SL	17'-0"	SL	3'-6"
SR	24'-11"	SR	18'-6 1/2"
DL	6'-8 1/2"	DL	14'-9 1/2"
DR	14'-3 3/4"	DR	19'-5 3/4"



*ALL DIMENSIONS ARE FINISHED



NOTICE

SWIMMING POOLS AND ACCESSORIES (INCLUDING DIVING BOARDS) ARE DANGEROUS WHEN IMPROPERLY USED OR INSTALLED. IT IS THE RESPONSIBILITY OF MUNICIPAL OFFICIALS, BUILDERS AND POOL OWNERS TO ADHERE TO ALL SAFETY RECOMMENDATIONS AND STANDARDS ISSUED BY THE POOL & HOT TUB COUNCIL, LOCAL AUTHORITIES AND EQUIPMENT MANUFACTURERS. PLEASE REFER TO DIVING BOARD MANUFACTURERS FOR CORRECT POSITIONING AND INSTALLATION OF DIVING EQUIPMENT.

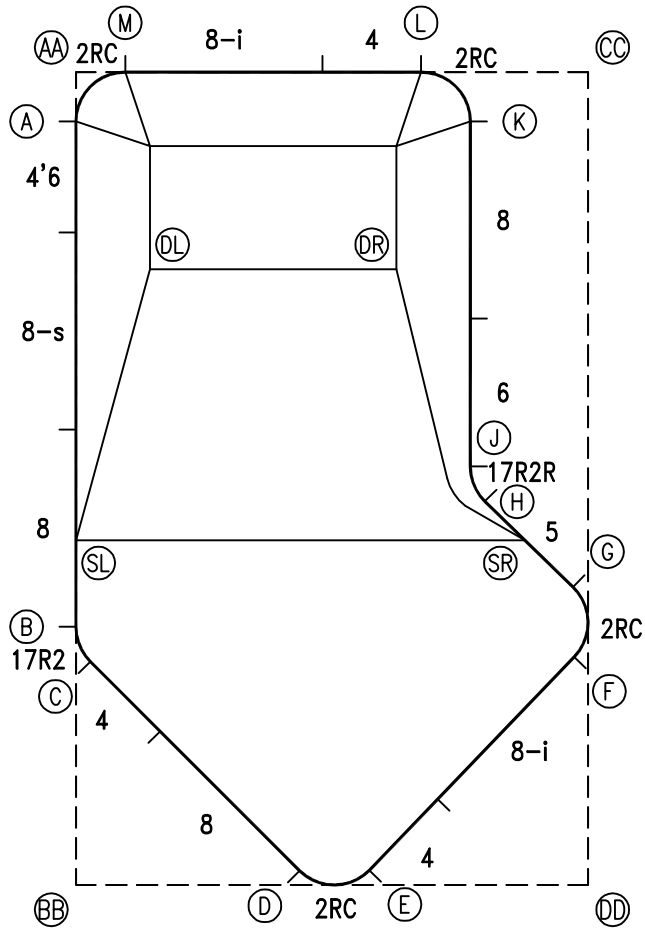
HIGHBURY POOLS LTD

LAZY L - RIGHT 16 x 21 x 33

DRAWING REFERENCE #
18-16-33-2

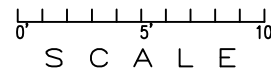
DRAWN BY: JK
REV. 20 AUG 13
SHEET 1 OF 2

PERIMETER: 91'2"



EXTERNAL INSTALLATION DATA

AA TO:	BB TO:	CC TO:	DD TO:
AA ---	AA 32'-11 3/4"	AA 20'-9 1/4"	AA 38'-11 3/4"
BB ---	BB ---	BB 38'-11 3/4"	BB 20'-9 1/4"
CC ---	CC ---	CC ---	CC 32'-11 3/4"
A 2'-0"	A 30'-11 3/4"	A 20'-10 1/2"	A 37'-3 1/2"
B 22'-6"	B 10'-5 3/4"	B 30'-7 1/2"	B 23'-3 1/4"
C 23'-11"	C 9'-0 3/4"	C 31'-3 1/2"	C 22'-1 1/2"
D 33'-7 3/4"	D 9'-1"	D 34'-5 1/4"	D 11'-8 1/2"
E 34'-6"	E 11'-10 3/4"	E 33'-6 3/4"	E 8'-10 3/4"
F 31'-1 3/4"	F 22'-2 3/4"	F 23'-8 3/4"	F 9'-3 1/4"
G 29'-0 1/2"	G 23'-6"	G 20'-10 3/4"	G 12'-1 1/4"
H 24'-0 1/2"	H 22'-8 3/4"	H 17'-10 3/4"	H 16'-1 1/4"
J 22'-7 1/2"	J 23'-3 3/4"	J 16'-8 1/4"	J 17'-7 1/2"
K 16'-1 1/2"	K 34'-10 1/4"	K 5'-2"	K 31'-4"
L 14'-0"	L 35'-9 3/4"	L 6'-9 1/4"	L 33'-8"
M 2'-0"	M 33'-0 1/2"	M 18'-9 1/4"	M 37'-11 1/4"
SL 19'-0"	SL 13'-11 3/4"	SL 28'-1 3/4"	SL 25'-0 1/2"
SR 26'-3 3/4"	SR 22'-11 1/2"	SR 19'-2"	SR 14'-2 1/2"
DL 8'-6 1/2"	DL 25'-1 3/4"	DL 19'-5 3/4"	DL 30'-7 3/4"
DR 15'-3"	DR 28'-1 3/4"	DR 11'-1 3/4"	DR 26'-1 3/4"



NOTICE

SWIMMING POOLS AND ACCESSORIES (INCLUDING DIVING BOARDS) ARE DANGEROUS WHEN IMPROPERLY USED OR INSTALLED. IT IS THE RESPONSIBILITY OF MUNICIPAL OFFICIALS, BUILDERS AND POOL OWNERS TO ADHERE TO ALL SAFETY RECOMMENDATIONS AND STANDARDS ISSUED BY THE POOL & HOT TUB COUNCIL, LOCAL AUTHORITIES AND EQUIPMENT MANUFACTURERS. PLEASE REFER TO DIVING BOARD MANUFACTURERS FOR CORRECT POSITIONING AND INSTALLATION OF DIVING EQUIPMENT.

HIGHBURY POOLS LTD

LAZY L - RIGHT 16 x 21 x 33

DRAWING REFERENCE #
18-16-33-2

DRAWN BY: JK
REV. 20 AUG 13
SHEET 2 OF 2