

MISCELLANEOUS INFORMATION

PERIMETER:	105'2"
SURFACE AREA:	610 SQ FT
VOLUME:	16766 IMP GALS 76285 LITER

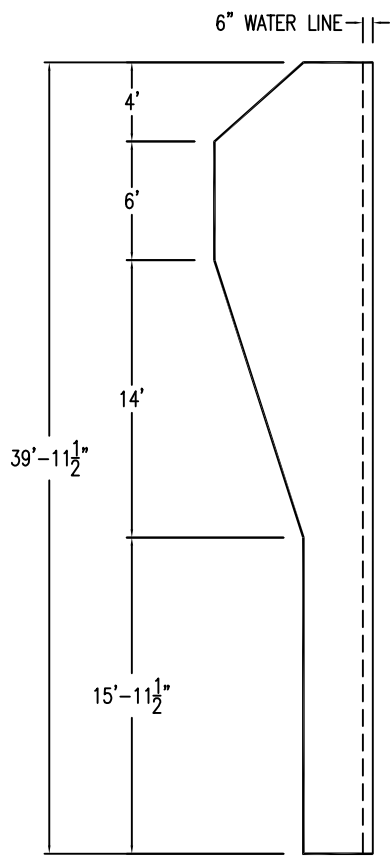
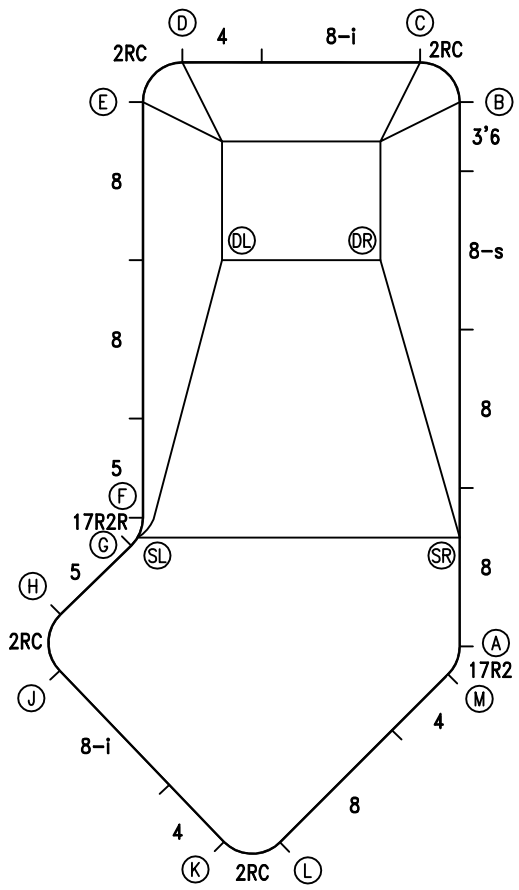
CONCRETE DECK INFO

WIDTH	AREA	NET INCREASES FOR:			
		STEPS	DIVING	SLIDE	ROLLER
2'	223	13	27	24	10
2'6"	283	17	31	20	10
3'	344	20	36	16	10

All Figures Represent "Sq Ft"

PARTS LIST

CODE	QTY	DESCRIPTION
17R2	1	1'7" Plain x 2' Radius
8	5	8' Plain
8-s	1	8' Skimmer
3'6	1	3'6" Plain
2RC	4	3'2" Plain x 2' Rad Cnr
8-i	2	8' Return
4	3	4' Plain
5	2	5' Plain
17R2R	1	1'7" Plain x 2' Reverse Radius
AF	20	A-Frame
S	40	Stakes
NB	120	Nuts & Bolts



INSTALLATION DATA

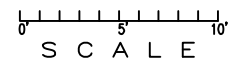
From Point "A" to:-		From Point "B" to:-	
B	27'-6"	B	2'-9 3/4"
C	29'-6 3/4"	C	14'-1 3/4"
D	32'-7 3/4"	D	16'-0"
E	31'-9 3/4"	E	26'-4 3/4"
F	17'-3 1/4"	F	27'-10 1/2"
G	17'-4"	G	32'-9 3/4"
H	20'-2 3/4"	H	35'-1 1/4"
J	20'-2 3/4"	J	39'-2 3/4"
K	15'-5 1/2"	K	38'-5 3/4"
L	13'-5"	L	28'-11"
M	1'-6 1/4"	M	27'-4 1/4"
SL	17'-2"	SL	22'-0"
SR	5'-6"	SR	14'-5"
DL	22'-10 3/4"	DL	8'-11 1/4"
DR	19'-10 3/4"	DR	

NOTICE

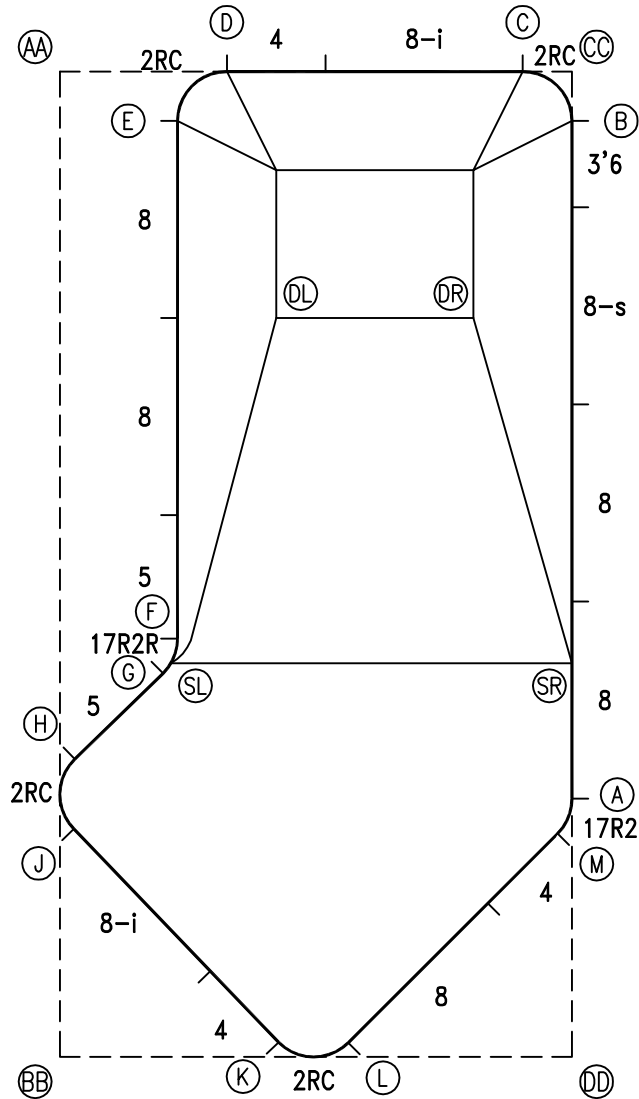
SWIMMING POOLS AND ACCESSORIES (INCLUDING DIVING BOARDS) ARE DANGEROUS WHEN IMPROPERLY USED OR INSTALLED. IT IS THE RESPONSIBILITY OF MUNICIPAL OFFICIALS, BUILDERS AND POOL OWNERS TO ADHERE TO ALL SAFETY RECOMMENDATIONS AND STANDARDS ISSUED BY THE POOL & HOT TUB COUNCIL, LOCAL AUTHORITIES AND EQUIPMENT MANUFACTURERS. PLEASE REFER TO DIVING BOARD MANUFACTURERS FOR CORRECT POSITIONING AND INSTALLATION OF DIVING EQUIPMENT.

20'-9 1/2"

*ALL DIMENSIONS ARE FINISHED

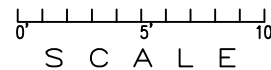


PERIMETER: 105'2"



EXTERNAL INSTALLATION DATA

AA TO:	BB TO:	CC TO:	DD TO:
AA ---	AA 39'-11 3/4"	AA 20'-9 1/4"	AA 45'-0 1/2"
BB ---	BB ---	BB 45'-0 1/2"	BB 20'-9 1/4"
CC ---	CC ---	CC ---	CC 39'-11 3/4"
A 36'-0 3/4"	A 23'-3 1/4"	A 29'-6"	A 10'-5 3/4"
B 20'-10 1/2"	B 43'-3 1/2"	B 2'-0"	B 37'-11 3/4"
C 18'-9 1/4"	C 44'-2"	C 2'-0"	C 40'-0 1/4"
D 6'-9 1/4"	D 40'-6 1/2"	D 14'-0"	D 42'-4 1/4"
E 5'-2"	E 38'-3 1/4"	E 16'-1 1/2"	E 41'-2 1/2"
F 23'-5 3/4"	F 17'-7 1/2"	F 28'-0 1/4"	F 23'-3 3/4"
G 24'-9 1/4"	G 16'-1 1/4"	G 29'-6"	G 22'-8 3/4"
H 27'-10 3/4"	H 12'-1 1/4"	H 34'-5"	H 23'-6"
J 30'-8 3/4"	J 9'-3 1/4"	J 36'-9 1/4"	J 22'-2 3/4"
K 40'-4 1/2"	K 8'-10 3/4"	K 41'-1 3/4"	K 11'-10 3/4"
L 41'-1 1/4"	L 11'-8 1/2"	L 40'-5"	L 9'-1"
M 36'-11"	M 22'-1 1/2"	M 30'-11"	M 9'-0 3/4"
SL 24'-5"	SL 16'-7 1/4"	SL 28'-11 3/4"	SL 22'-9 1/2"
SR 31'-8 3/4"	SR 26'-2 1/2"	SR 24'-0"	SR 15'-11 3/4"
DL 13'-3 1/2"	DL 31'-2 3/4"	DL 15'-7 1/2"	DL 32'-3 1/2"
DR 19'-6 1/4"	DR 34'-4 1/4"	DR 10'-9 1/4"	DR 30'-2 3/4"



NOTICE

SWIMMING POOLS AND ACCESSORIES (INCLUDING DIVING BOARDS) ARE DANGEROUS WHEN IMPROPERLY USED OR INSTALLED. IT IS THE RESPONSIBILITY OF MUNICIPAL OFFICIALS, BUILDERS AND POOL OWNERS TO ADHERE TO ALL SAFETY RECOMMENDATIONS AND STANDARDS ISSUED BY THE POOL & HOT TUB COUNCIL, LOCAL AUTHORITIES AND EQUIPMENT MANUFACTURERS. PLEASE REFER TO DIVING BOARD MANUFACTURERS FOR CORRECT POSITIONING AND INSTALLATION OF DIVING EQUIPMENT.

HIGHBURY POOLS LTD

LAZY L - LEFT 16 x 21 x 40

DRAWING REFERENCE #
18-16-40-1

DRAWN BY: JK
REV. 20 AUG 13
SHEET 2 OF 2