

MISCELLANEOUS INFORMATION

PERIMETER:-	110'9-9/16
SURFACE AREA:	702.2 SQ FT
VOLUME:	18937 IMP GALS 86165 L

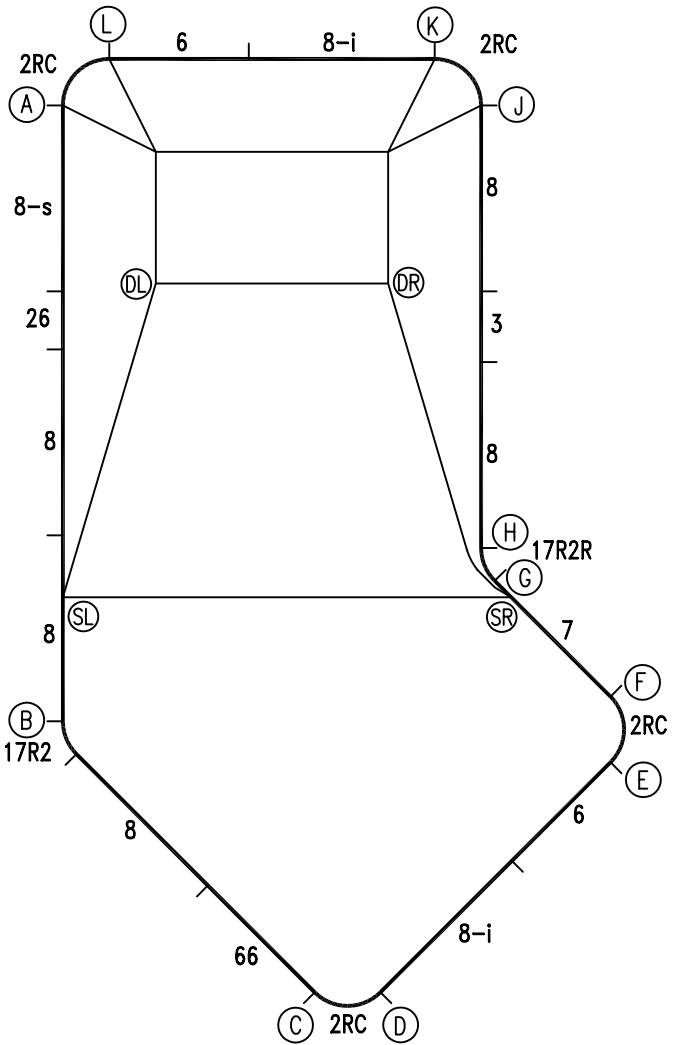
CONCRETE DECK INFO

WIDTH	AREA	NET INCREASES FOR:			
		STEPS	DIVING	SLIDE	ROLLER
2'	235	13	27	24	10
2'6"	297	17	31	20	10
3'	361	20	36	16	10

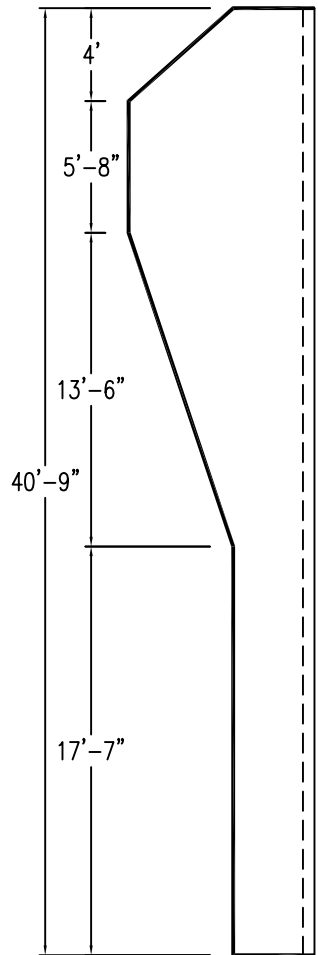
All Figures Represent "Sq Ft"

PARTS LIST

CODE	QTY	DESCRIPTION
8-s	1	8' Skimmer
8-i	2	8' Return
8	5	8' Plain
7	1	7' Plain
66	1	6'6" Plain
6	2	6' Plain
3	1	3' Plain
26	1	2'6" Plain
2RC	4	3'2" Plain x 2' Radius
17R2R	1	1'7" Plain x 2' Reverse Rad
17R2	1	1'7" Plain x 2' Radius
AF	20	A-Frame
S	40	Stake
NB	120	Nuts & Bolts



6" WATER LINE - 11-



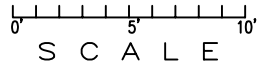
INSTALLATION DATA

From Point "A" to:-		From Point "B" to:-	
B	26'-6"	B	
C	39'-8 1/8"	C	15'-11 1/8"
D	40'-6 1/2"	D	17'-11 5/8"
E	36'-9 5/8"	E	23'-7 5/8"
F	34'-8 1/8"	F	23'-7 1/8"
G	27'-7 5/8"	G	19'-6 1/2"
H	26'-2 1/2"	H	19'-5 3/4"
J	18'-0"	J	32'-0 3/8"
K	16'-1 1/2"	K	32'-8 1/4"
L	2'-9 7/8"	L	28'-6 7/8"
SL	21'-1 7/8"	SL	5'-4"
SR	28'-7 5/8"	SR	20'-0 1/4"
DL	8'-7 3/4"	DL	19'-3"
DR	15'-11 1/2"	DR	23'-5 5/8"

NOTICE

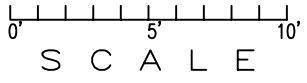
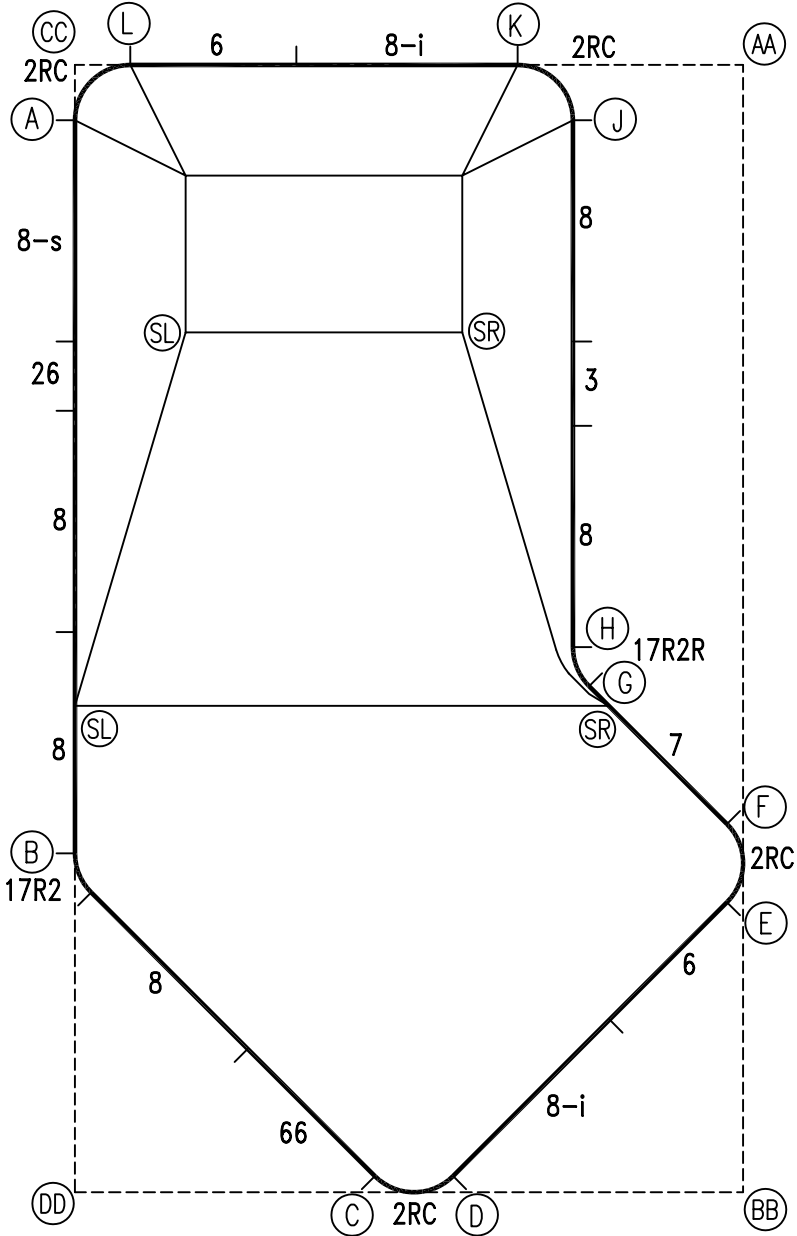
SWIMMING POOLS AND ACCESSORIES (INCLUDING DIVING BOARDS) ARE DANGEROUS WHEN IMPROPERLY USED OR INSTALLED. IT IS THE RESPONSIBILITY OF MUNICIPAL OFFICIALS, BUILDERS AND POOL OWNERS TO ADHERE TO ALL SAFETY RECOMMENDATIONS AND STANDARDS ISSUED BY THE POOL & HOT TUB COUNCIL, LOCAL AUTHORITIES AND EQUIPMENT MANUFACTURERS. PLEASE REFER TO DIVING BOARD MANUFACTURERS FOR CORRECT POSITIONING AND INSTALLATION OF DIVING EQUIPMENT.

*ALL DIMENSIONS ARE FINISHED



EXTERNAL INSTALLATION DATA

AA TO:	BB TO:	CC TO:	DD TO:
AA ---	AA 40'-9"	AA 24'-1 7/8"	AA 47'-4 1/2"
BB ---	BB ---	BB 47'-4 1/2"	BB 24'-1 7/8"
CC ---	CC ---	CC ---	CC 40'-9"
A 24'-2 7/8"	A 45'-7 7/8"	A 2'-0"	A 38'-9"
B 37'-4 1/4"	B 27'-0 7/8"	B 28'-6"	B 12'-3"
C 42'-3 3/4"	C 13'-3 7/8"	C 41'-7 1/4"	C 10'-10 1/4"
D 41'-6 1/8"	D 10'-6"	D 42'-5 1/8"	D 13'-8 1/8"
E 30'-3 1/4"	E 10'-6"	E 38'-4 3/8"	E 25'-9 1/2"
F 27'-5 3/8"	F 13'-3 7/8"	F 36'-2"	F 27'-0 3/4"
G 23'-1 5/8"	G 19'-1 1/2"	G 29'-1 7/8"	G 26'-0 7/8"
H 21'-11 1/8"	H 20'-7 3/4"	H 27'-8 1/4"	H 26'-8 1/4"
J 6'-5 5/8"	J 39'-2 7/8"	J 18'-1 3/8"	J 42'-8 3/4"
K 8'-1 7/8"	K 41'-6 3/4"	K 16'-0"	K 43'-9 3/8"
L 22'-1 7/8"	L 46'-4 5/8"	L 2'-0"	L 40'-9 5/8"
SL 33'-5 5/8"	SL 29'-10 1/2"	SL 23'-1 7/8"	SL 17'-7"
SR 23'-8"	SR 18'-2 7/8"	SR 30'-1 3/4"	SR 26'-1 1/4"
DL 22'-4 1/4"	DL 37'-0 5/8"	DL 10'-5 1/2"	DL 31'-4 1/8"
DR 14'-0 1/4"	DR 32'-8 3/8"	DR 17'-0 1/8"	DR 34'-1 1/8"



NOTICE

SWIMMING POOLS AND ACCESSORIES (INCLUDING DIVING BOARDS) ARE DANGEROUS WHEN IMPROPERLY USED OR INSTALLED. IT IS THE RESPONSIBILITY OF MUNICIPAL OFFICIALS, BUILDERS AND POOL OWNERS TO ADHERE TO ALL SAFETY RECOMMENDATIONS AND STANDARDS ISSUED BY THE POOL & HOT TUB COUNCIL, LOCAL AUTHORITIES AND EQUIPMENT MANUFACTURERS. PLEASE REFER TO DIVING BOARD MANUFACTURERS FOR CORRECT POSITIONING AND INSTALLATION OF DIVING EQUIPMENT.

HIGHBURY POOLS LTD

LAZY-L - RIGHT 18 x 41

DRAWING REFERENCE #
18-18-41-2

DRAWN BY: JB
REV. 6 DEC 2006
SHEET 2 OF 2