

**MISCELLANEOUS INFORMATION**

PERIMETER:	112'9"
SURFACE AREA:	719 SQ FT
VOLUME:	19974 IMP GALS 90882 LITER

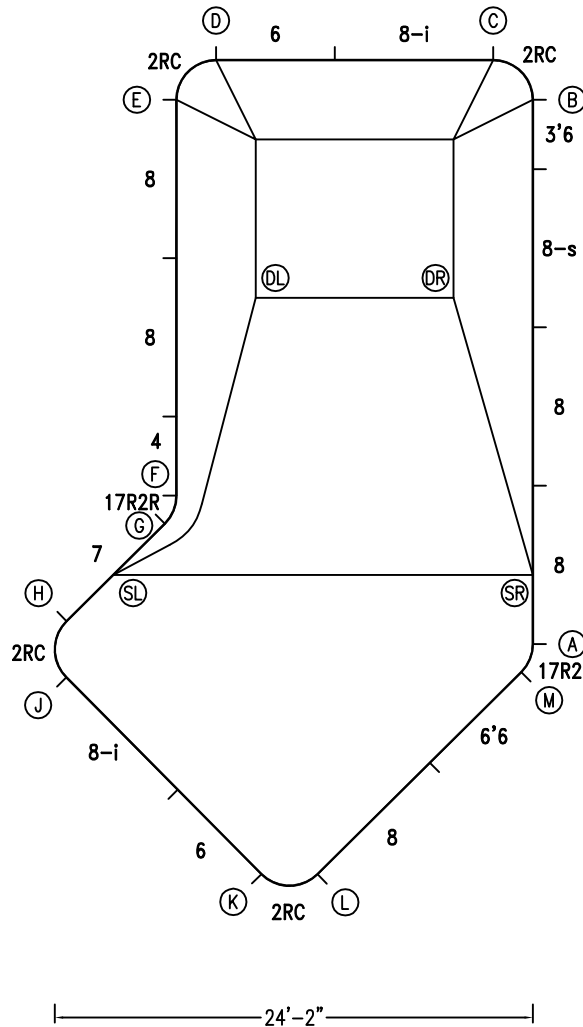
**CONCRETE DECK INFO**

WIDTH	AREA	NET INCREASES FOR:			
		STEPS	DIVING	SLIDE	ROLLER
2'	238	13	27	24	10
2'6"	302	17	31	20	10
3'	367	20	36	16	10

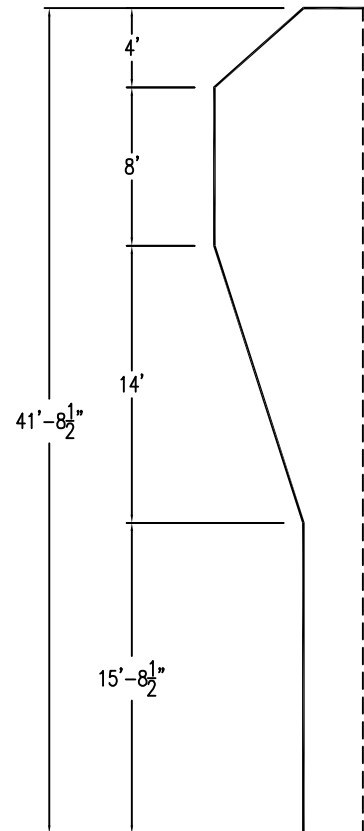
All Figures Represent "Sq Ft"

**PARTS LIST**

CODE	QTY	DESCRIPTION
17R2	1	1'7" Plain x 2' Radius
8	5	8' Plain
8-s	1	8' Skimmer
3'6"	1	3'6" Plain
2RC	4	3'2" Plain x 2' Rad Cnr
8-i	2	8' Return
6	2	6' Plain
4	1	4' Plain
17R2R	1	1'7" Plain x 2' Reverse Radius
7	1	7' Plain
6'6"	1	6'6" Plain
AF	20	A-Frame
S	40	Stakes
NB	120	Nuts & Bolts



6" WATER LINE



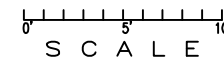
**INSTALLATION DATA**

From Point "A" to:-		From Point "B" to:-	
B	27'-6"	B	2'-9 3/4"
C	29'-6 3/4"	C	16'-1 1/2"
D	33'-6 3/4"	D	18'-0"
E	32'-10 1/4"	E	26'-10 3/4"
F	19'-6"	F	28'-4 1/4"
G	19'-6 1/2"	G	35'-4"
H	23'-7"	H	37'-6"
J	23'-7 1/2"	J	41'-5 1/4"
K	17'-11 1/2"	K	40'-7 1/4"
L	15'-11"	L	28'-11"
M	1'-6 1/4"	M	32'-0 1/4"
SL	21'-5 3/4"	SL	24'-0"
SR	3'-6"	SR	17'-2 1/2"
DL	22'-4 3/4"	DL	10'-9 1/4"
DR	17'-11 1/4"	DR	

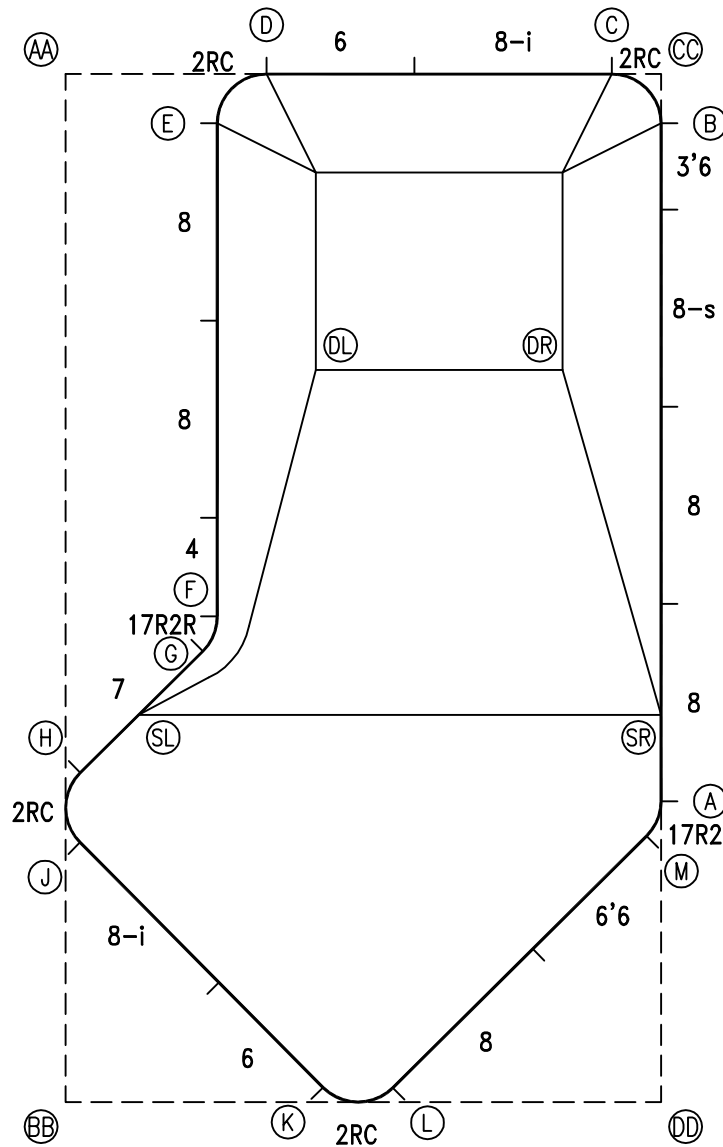
**NOTICE**

SWIMMING POOLS AND ACCESSORIES (INCLUDING DIVING BOARDS) ARE DANGEROUS WHEN IMPROPERLY USED OR INSTALLED. IT IS THE RESPONSIBILITY OF MUNICIPAL OFFICIALS, BUILDERS AND POOL OWNERS TO ADHERE TO ALL SAFETY RECOMMENDATIONS AND STANDARDS ISSUED BY THE POOL & HOT TUB COUNCIL, LOCAL AUTHORITIES AND EQUIPMENT MANUFACTURERS. PLEASE REFER TO DIVING BOARD MANUFACTURERS FOR CORRECT POSITIONING AND INSTALLATION OF DIVING EQUIPMENT.

\*ALL DIMENSIONS ARE FINISHED



PERIMETER: 112'9"

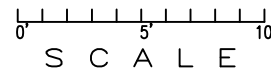


EXTERNAL INSTALLATION DATA

AA TO:	BB TO:	CC TO:	DD TO:
AA ---	AA 41'-8 1/2"	AA 24'-1 3/4"	AA 48'-2 1/4"
BB ---	BB ---	BB 48'-2 1/4"	BB 24'-1 3/4"
CC ---	CC ---	CC ---	CC 41'-8 1/2"
A 38'-1 1/2"	A 27'-0 1/2"	A 29'-6"	A 12'-2 1/2"
B 24'-2 3/4"	B 46'-5 1/2"	B 2'-0"	B 39'-8 1/2"
C 22'-1 3/4"	C 47'-2 1/2"	C 2'-0"	C 41'-9"
D 8'-1 3/4"	D 42'-5 3/4"	D 16'-0"	D 44'-8"
E 6'-5 1/2"	E 40'-2"	E 18'-1 1/4"	E 43'-7"
F 22'-10"	F 20'-7 3/4"	F 28'-5"	F 26'-8 1/4"
G 24'-0 3/4"	G 19'-1 1/4"	G 29'-10 3/4"	G 26'-0 3/4"
H 28'-4 1/4"	H 13'-4 1/2"	H 36'-10 1/4"	H 27'-0 3/4"
J 31'-2"	J 10'-6 1/2"	J 39'-0 3/4"	J 25'-9 3/4"
K 42'-5"	K 10'-5 1/2"	K 43'-4"	K 13'-8 1/2"
L 43'-2 1/2"	L 13'-3 1/4"	L 42'-6 1/2"	L 10'-10 3/4"
M 38'-10 1/2"	M 25'-10 3/4"	M 30'-11"	M 10'-9 1/2"
SL 26'-2"	SL 15'-11 3/4"	SL 33'-6 1/2"	SL 26'-4 1/2"
SR 35'-5 3/4"	SR 28'-9 1/2"	SR 26'-0"	SR 15'-8 1/2"
DL 15'-8 1/2"	DL 31'-4 1/2"	DL 18'-5 1/4"	DL 32'-10"
DR 23'-5 1/4"	DR 35'-10 3/4"	DR 12'-7 3/4"	DR 29'-11 1/2"

NOTICE

SWIMMING POOLS AND ACCESSORIES (INCLUDING DIVING BOARDS) ARE DANGEROUS WHEN IMPROPERLY USED OR INSTALLED. IT IS THE RESPONSIBILITY OF MUNICIPAL OFFICIALS, BUILDERS AND POOL OWNERS TO ADHERE TO ALL SAFETY RECOMMENDATIONS AND STANDARDS ISSUED BY THE POOL & HOT TUB COUNCIL, LOCAL AUTHORITIES AND EQUIPMENT MANUFACTURERS. PLEASE REFER TO DIVING BOARD MANUFACTURERS FOR CORRECT POSITIONING AND INSTALLATION OF DIVING EQUIPMENT.



HIGHBURY POOLS LTD

LAZY L - LEFT 18 x 24 x 42

DRAWING REFERENCE #  
18-18-42-1

DRAWN BY: JK  
REV. 20 AUG 13  
SHEET 2 OF 2