

MISCELLANEOUS INFORMATION

PERIMETER:	87'
SURFACE AREA:	496 SQ FT
VOLUME:	15305 IMP GALS 69638 LITER

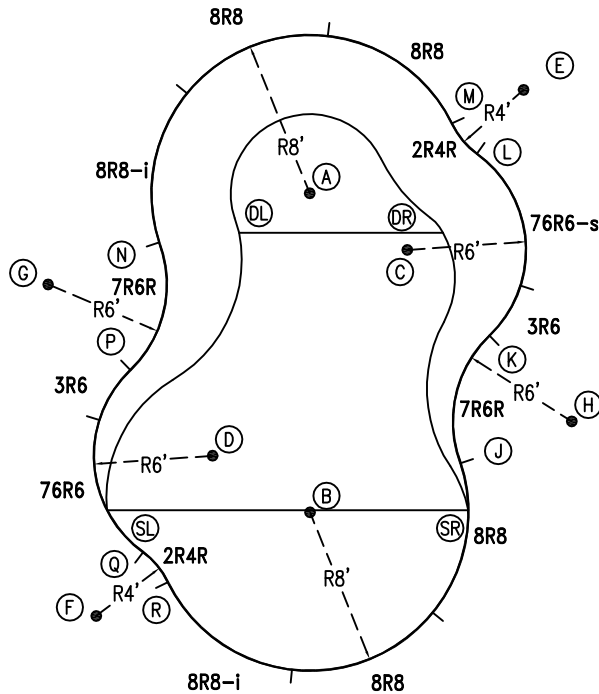
CONCRETE DECK INFO

WIDTH	AREA	NET INCREASES FOR:			
		STEPS	DIVING	SLIDE	ROLLER
2'	187	13	27	24	10
2'6"	237	17	31	20	10
3'	289	20	36	16	10

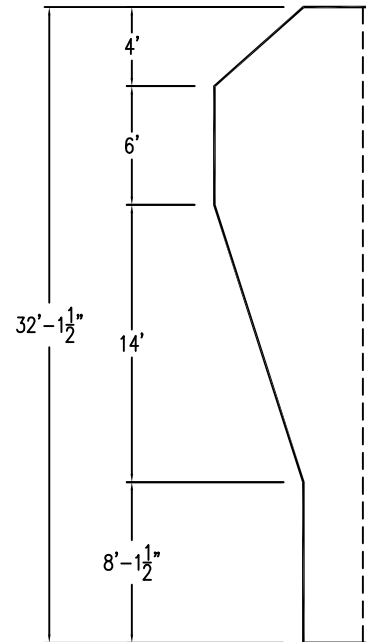
All Figures Represent "Sq Ft"

PARTS LIST

CODE	QTY	DESCRIPTION
8R8-i	2	8' Return x 8' Radius
8R8	4	8' Plain x 8' Radius
7R6R	2	7' Plain x 6' Reverse Radius
3R6	2	3' Plain x 6' Radius
76R6-s	1	7'6" Skimmer x 6' Radius
2R4R	2	2' Plain x 4' Reverse Radius
76R6	1	7'6" Plain x 6' Radius
AF	14	A-Frame
S	28	Stakes
NB	84	Nuts & Bolts



6" WATER LINE

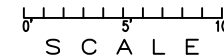


INSTALLATION DATA

From Point "A" to:-		From Point "B" to:-	
B	16'-1 1/4"	B	14'-1 1/2"
C	5'-8 1/4"	C	14'-1 1/2"
D	14'-1 1/2"	D	5'-8 1/4"
E	12'-0"	E	23'-11"
F	23'-11"	F	12'-0"
G	14'-0"	G	17'-6 1/2"
H	17'-6 1/2"	H	14'-0"
J	15'-7 1/4"	J	8'-0"
K	11'-6 3/4"	K	12'-8 1/2"
L	8'-8"	L	19'-11 3/4"
M	8'-0"	M	20'-10 3/4"
N	8'-0"	N	15'-7 1/4"
P	12'-8 1/2"	P	11'-6 3/4"
Q	19'-11 3/4"	Q	8'-8"
R	20'-10 3/4"	R	8'-0"
SL	19'-0"	SL	10'-3"
SR	17'-10 3/4"	SR	8'-0"
DL	4'-1"	DL	14'-6 3/4"
DR	7'-0 1/4"	DR	15'-7 1/2"

21'-10"

*ALL DIMENSIONS ARE FINISHED



NOTICE

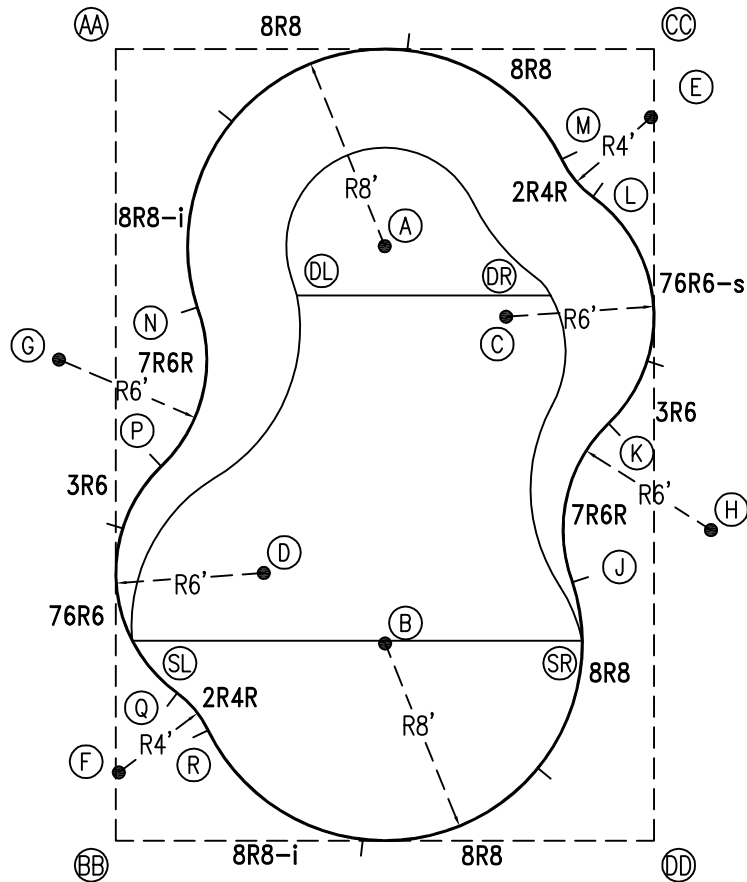
SWIMMING POOLS AND ACCESSORIES (INCLUDING DIVING BOARDS) ARE DANGEROUS WHEN IMPROPERLY USED OR INSTALLED. IT IS THE RESPONSIBILITY OF MUNICIPAL OFFICIALS, BUILDERS AND POOL OWNERS TO ADHERE TO ALL SAFETY RECOMMENDATIONS AND STANDARDS ISSUED BY THE POOL & HOT TUB COUNCIL, LOCAL AUTHORITIES AND EQUIPMENT MANUFACTURERS. PLEASE REFER TO DIVING BOARD MANUFACTURERS FOR CORRECT POSITIONING AND INSTALLATION OF DIVING EQUIPMENT.

HIGHBURY POOLS LTD

LIBERTY - LEFT 16 x 22 x 32

DRAWING REFERENCE #
96-16-32-1

DRAWN BY: JK
REV. 29 AUG 13
SHEET 1 OF 2

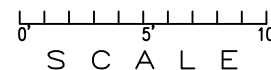


EXTERNAL INSTALLATION DATA

AA TO:	BB TO:	CC TO:	DD TO:
AA --	AA 32'-1 1/4"	AA 21'-9 3/4"	AA 38'-9 3/4"
BB --	BB --	BB 38'-9 3/4"	BB 21'-9 3/4"
CC --	CC --	CC --	CC 32'-1 1/4"
A 13'-6 1/4"	A 26'-5 1/2"	A 13'-6 1/2"	A 26'-5 1/2"
B 26'-5 1/2"	B 13'-6 1/2"	B 26'-5 1/2"	B 13'-6 1/4"
C 19'-2 1/4"	C 26'-6"	C 12'-4 3/4"	C 22'-1"
D 22'-1"	D 12'-4 3/4"	D 26'-6"	D 19'-2 1/4"
E 21'-10 1/2"	E 36'-6"	E 2'-9 1/4"	E 29'-4"
F 29'-4"	F 2'-9 1/4"	F 36'-6"	F 21'-10 1/2"
G 12'-9 3/4"	G 19'-7 3/4"	G 27'-2 3/4"	G 31'-0 1/2"
H 31'-0 1/2"	H 27'-2 3/4"	H 19'-7 3/4"	H 12'-9 3/4"
J 28'-5 3/4"	J 21'-3 1/4"	J 21'-10 1/2"	J 10'-11 3/4"
K 25'-1 1/4"	K 26'-2 1/4"	K 15'-3 1/2"	K 17'-0 1/4"
L 20'-3"	L 32'-6"	L 6'-5 3/4"	L 26'-2 3/4"
M 18'-7 1/2"	M 33'-0 1/2"	M 5'-9 3/4"	M 27'-10 3/4"
N 10'-11 3/4"	N 21'-10 1/2"	N 21'-3 1/4"	N 28'-5 3/4"
P 17'-0 1/4"	P 15'-3 1/2"	P 26'-2 1/4"	P 25'-1 1/4"
Q 26'-2 3/4"	Q 6'-5 3/4"	Q 32'-6"	Q 20'-3"
R 27'-10 3/4"	R 5'-9 3/4"	R 33'-0 1/2"	R 18'-7 1/2"
SL 24'-0"	SL 8'-1 3/4"	SL 32'-0"	SL 22'-8"
SR 30'-6 3/4"	SR 20'-7"	SR 24'-2"	SR 8'-7 1/2"
DL 12'-4 3/4"	DL 23'-3 1/2"	DL 17'-7 1/4"	DL 26'-5 1/4"
DR 20'-3 1/4"	DR 28'-3 1/2"	DR 10'-10"	DR 22'-6"

DIAGONALS

From Point "J" to:-	From Point "K" to:-
K 6'-7 3/8"	K
L 15'-7 7/8"	L 9'-2 1/2"
M 17'-2"	M 10'-10 5/8"
N 18'-10 1/2"	N 17'-3 7/8"
P 17'-3 7/8"	P 18'-2 5/8"
Q 16'-7 7/8"	Q 20'-7 5/8"
R 15'-11 1/2"	R 20'-5 5/8"



NOTICE

SWIMMING POOLS AND ACCESSORIES (INCLUDING DIVING BOARDS) ARE DANGEROUS WHEN IMPROPERLY USED OR INSTALLED. IT IS THE RESPONSIBILITY OF MUNICIPAL OFFICIALS, BUILDERS AND POOL OWNERS TO ADHERE TO ALL SAFETY RECOMMENDATIONS AND STANDARDS ISSUED BY THE POOL & HOT TUB COUNCIL, LOCAL AUTHORITIES AND EQUIPMENT MANUFACTURERS. PLEASE REFER TO DIVING BOARD MANUFACTURERS FOR CORRECT POSITIONING AND INSTALLATION OF DIVING EQUIPMENT.