

MISCELLANEOUS INFORMATION

PERIMETER:	99'
SURFACE AREA:	637 SQ FT
VOLUME:	18429 IMP GALS 83852 LITER

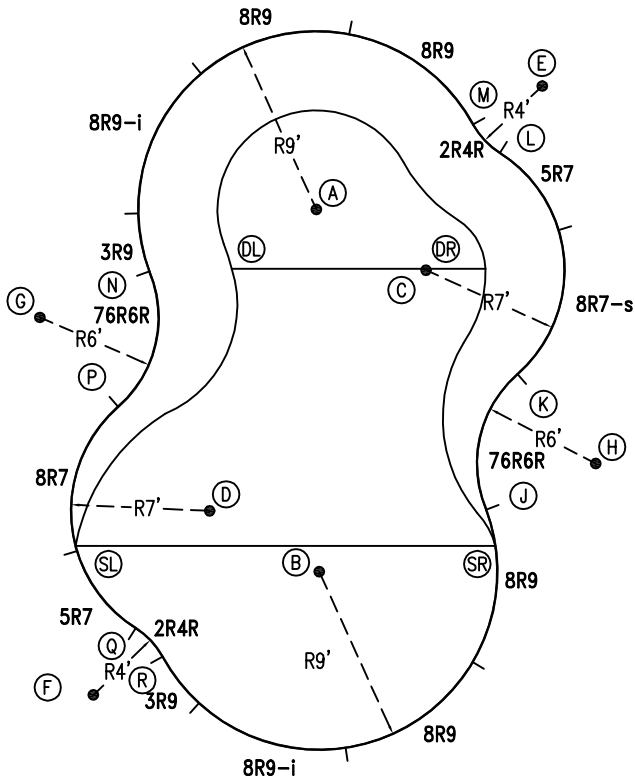
CONCRETE DECK INFO

WIDTH	AREA	NET INCREASES FOR:			
		STEPS	DIVING	SLIDE	ROLLER
2'	210	13	27	24	10
2'6"	267	17	31	20	10
3'	325	20	36	16	10

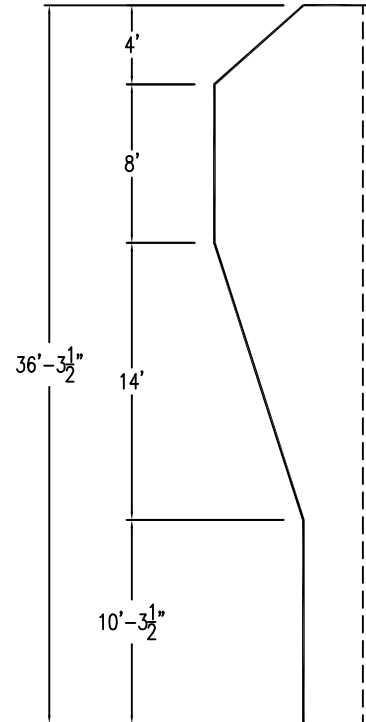
All Figures Represent "Sq Ft"

PARTS LIST

CODE	QTY	DESCRIPTION
3R9	2	3' Plain x 9' Radius
8R9-i	2	8' Return x 9' Radius
8R9	4	8' Plain x 9' Radius
76R6R	2	7'6" Plain x 6' Reverse Radius
8R7-s	1	8' Skimmer x 7' Radius
5R7	2	5' Plain x 7' Radius
2R4R	2	2' Plain x 4' Reverse Radius
8R7	1	8' Plain x 7' Radius
AF	16	A-Frame
S	32	Stakes
NB	96	Nuts & Bolts



6" WATER LINE

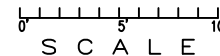


INSTALLATION DATA

From Point "A" to:-		From Point "B" to:-	
B	18'-3 1/2"	B	16'-1 3/4"
C	6'-3 3/4"	C	16'-1 3/4"
D	16'-1 3/4"	D	6'-3 3/4"
E	13'-0"	E	26'-11 3/4"
F	26'-11 3/4"	F	13'-0"
G	15'-0"	G	19'-0 3/4"
H	19'-0 3/4"	H	15'-0"
J	17'-5"	J	9'-0"
K	13'-1 1/2"	K	14'-1 1/2"
L	9'-8 1/4"	L	23'-0 1/4"
M	9'-0"	M	23'-10 1/2"
N	9'-0"	N	17'-5"
P	14'-1 1/2"	P	13'-1 1/2"
Q	23'-0 1/4"	Q	9'-8 1/4"
R	23'-10 1/2"	R	9'-0"
SL	20'-10 3/4"	SL	12'-4 1/2"
SR	19'-3"	SR	9'-0"
DL	5'-2 1/2"	DL	15'-11"
DR	9'-0 1/2"	DR	17'-5 1/4"

24'-11"

*ALL DIMENSIONS ARE FINISHED



NOTICE

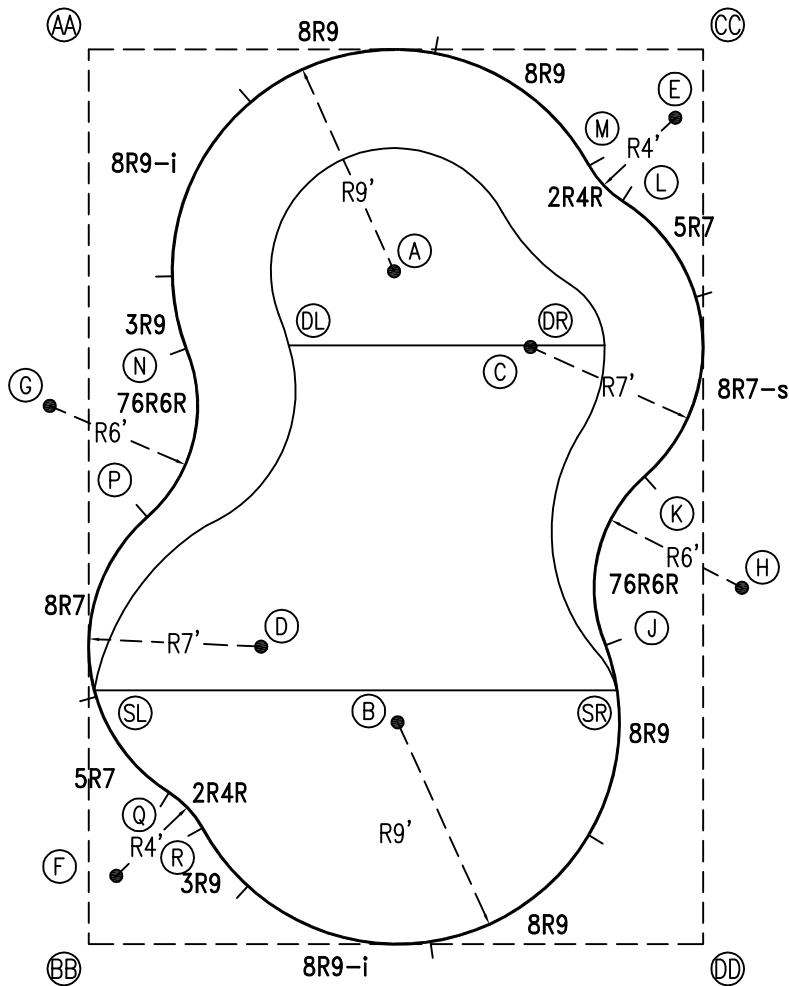
SWIMMING POOLS AND ACCESSORIES (INCLUDING DIVING BOARDS) ARE DANGEROUS WHEN IMPROPERLY USED OR INSTALLED. IT IS THE RESPONSIBILITY OF MUNICIPAL OFFICIALS, BUILDERS AND POOL OWNERS TO ADHERE TO ALL SAFETY RECOMMENDATIONS AND STANDARDS ISSUED BY THE POOL & HOT TUB COUNCIL, LOCAL AUTHORITIES AND EQUIPMENT MANUFACTURERS. PLEASE REFER TO DIVING BOARD MANUFACTURERS FOR CORRECT POSITIONING AND INSTALLATION OF DIVING EQUIPMENT.

HIGHBURY POOLS LTD

LIBERTY - LEFT 18 x 25 x 36

DRAWING REFERENCE #
96-18-36-1

DRAWN BY: JK
REV. 29 AUG 13
SHEET 1 OF 2

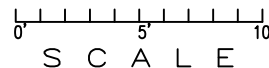


DIAGONALS

From Point "N" to:-		From Point "P" to:-	
J	20'-10 1/8"	J	19'-3 3/4"
K	19'-3 3/4"	K	20'-2 7/8"
L	18'-8 1/4"	L	23'-1 7/8"
M	17'-11 1/2"	M	22'-10 7/8"
Q	18'-0 3/8"	Q	11'-2 1/2"
R	19'-5 5/8"	R	12'-9 3/4"

DIAGONALS

From Point "J" to:-		From Point "K" to:-	
K	7'-0 1/4"	K	
L	18'-0 3/8"	L	11'-2 1/2"
M	19'-5 5/8"	M	12'-9 3/4"
N	20'-10 1/8"	N	19'-3 3/4"
P	19'-3 3/4"	P	20'-2 7/8"
Q	18'-8 1/4"	Q	23'-1 7/8"
R	17'-11 1/2"	R	22'-10 7/8"



EXTERNAL INSTALLATION DATA

AA TO:	BB TO:	CC TO:	DD TO:
AA ---	AA 36'-3 1/2"	AA 24'-11"	AA 44'-0 1/4"
BB ---	BB ---	BB 44'-0 1/4"	BB 24'-11"
CC ---	CC ---	CC ---	CC 36'-3 1/2"
A 15'-3 3/4"	A 29'-11 3/4"	A 15'-5"	A 30'-0 1/2"
B 30'-0 1/2"	B 15'-5"	B 29'-11 3/4"	B 15'-3 3/4"
C 21'-7 1/4"	C 30'-1 1/2"	C 13'-11 1/4"	C 25'-2 1/2"
D 25'-2 1/2"	D 13'-11 1/4"	D 30'-1 1/2"	D 21'-7 1/4"
E 23'-11 1/2"	E 41'-1 1/4"	E 2'-11 3/4"	E 33'-6 1/2"
F 33'-6 1/2"	F 2'-11 3/4"	F 41'-1 1/4"	F 23'-11 1/2"
G 14'-6 1/2"	G 21'-10 3/4"	G 30'-2 1/4"	G 34'-4"
H 34'-4"	H 30'-2 1/4"	H 21'-10 3/4"	H 14'-6 1/2"
J 32'-0"	J 24'-2 3/4"	J 24'-5 3/4"	J 12'-9"
K 28'-5 1/4"	K 29'-5 1/2"	K 17'-5 3/4"	K 19'-1 1/2"
L 22'-6 1/4"	L 37'-1 1/2"	L 6'-11 1/2"	L 30'-3 3/4"
M 20'-10"	M 37'-6 1/2"	M 6'-7 1/4"	M 31'-11"
N 12'-9"	N 24'-5 3/4"	N 24'-2 3/4"	N 32'-0"
P 19'-1 1/2"	P 17'-5 3/4"	P 29'-5 1/2"	P 28'-5 1/4"
Q 30'-3 3/4"	Q 6'-11 1/2"	Q 37'-1 1/2"	Q 22'-6 1/4"
R 31'-11"	R 6'-7 1/4"	R 37'-6 1/2"	R 20'-10"
SL 26'-0"	SL 10'-3 1/2"	SL 35'-10 1/4"	SL 26'-9"
SR 33'-8 1/4"	SR 23'-9 1/4"	SR 26'-2 3/4"	SR 10'-10 1/2"
DL 14'-5 3/4"	DL 25'-7 1/4"	DL 20'-7 3/4"	DL 29'-6 1/2"
DR 24'-1 1/2"	DR 32'-0 3/4"	DR 12'-7 3/4"	DR 24'-7 1/2"

NOTICE

SWIMMING POOLS AND ACCESSORIES (INCLUDING DIVING BOARDS) ARE DANGEROUS WHEN IMPROPERLY USED OR INSTALLED. IT IS THE RESPONSIBILITY OF MUNICIPAL OFFICIALS, BUILDERS AND POOL OWNERS TO ADHERE TO ALL SAFETY RECOMMENDATIONS AND STANDARDS ISSUED BY THE POOL & HOT TUB COUNCIL, LOCAL AUTHORITIES AND EQUIPMENT MANUFACTURERS. PLEASE REFER TO DIVING BOARD MANUFACTURERS FOR CORRECT POSITIONING AND INSTALLATION OF DIVING EQUIPMENT.