

**MISCELLANEOUS INFORMATION**

PERIMETER:	109'
SURFACE AREA:	795 SQ FT
VOLUME:	22106 IMP GALS 100582 LITER

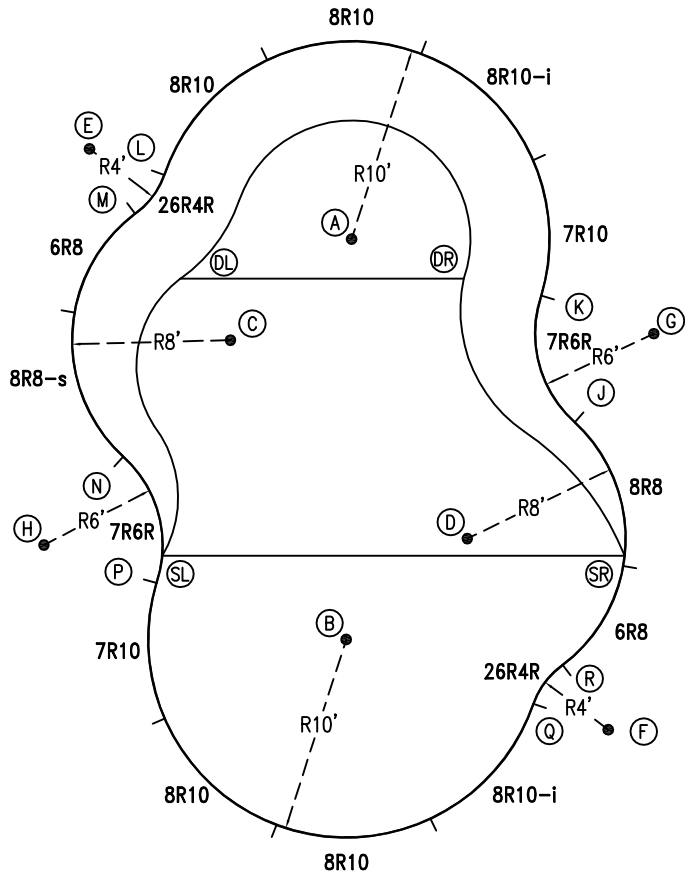
**CONCRETE DECK INFO**

WIDTH	AREA	NET INCREASES FOR:			
		STEPS	DIVING	SLIDE	ROLLER
2'	230	13	27	24	10
2'6"	292	17	31	20	10
3'	355	20	36	16	10

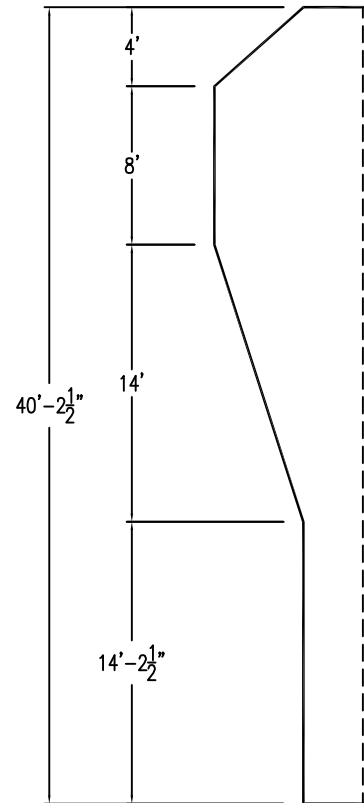
All Figures Represent "Sq Ft"

**PARTS LIST**

CODE	QTY	DESCRIPTION
8R10-i	2	8' Return x 10' Radius
8R10	4	8' Plain x 10' Radius
7R10	2	7' Plain x 10' Radius
7R6R	2	7' Plain x 6' Reverse Radius
8R8-s	1	8' Skimmer x 8' Radius
6R8	2	6' Plain x 8' Radius
26R4R	2	2'6" Plain x 4' Reverse Radius
8R8	1	8' Plain x 8' Radius
AF	16	A-Frame
S	32	Stakes
NB	96	Nuts & Bolts



6" WATER LINE

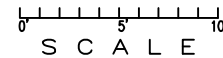


**INSTALLATION DATA**

From Point "A" to:-		From Point "B" to:-	
B	20'-2 3/4"	B	16'-2 1/2"
C	7'-11 1/2"	C	16'-2 1/2"
D	16'-2 1/2"	D	7'-11 1/2"
E	14'-0"	E	27'-11 1/2"
F	27'-11 1/2"	F	14'-0"
G	16'-0"	G	21'-10 3/4"
H	21'-10 3/4"	H	16'-0"
J	14'-6 3/4"	J	15'-11"
K	10'-0"	K	19'-11 1/2"
L	10'-0"	L	25'-2 1/2"
M	11'-0"	M	24'-0"
N	15'-11"	N	14'-6 3/4"
P	19'-11 1/2"	P	10'-0"
Q	25'-2 1/2"	Q	10'-0"
R	24'-0"	R	11'-0"
SL	18'-7 3/4"	SL	10'-2 1/2"
SR	21'-1 1/2"	SR	14'-8 1/4"
DL	8'-10 1/2"	DL	20'-0 3/4"
DR	6'-0"	DR	19'-2"

27'-11 1/2"

\*ALL DIMENSIONS ARE FINISHED



**NOTICE**

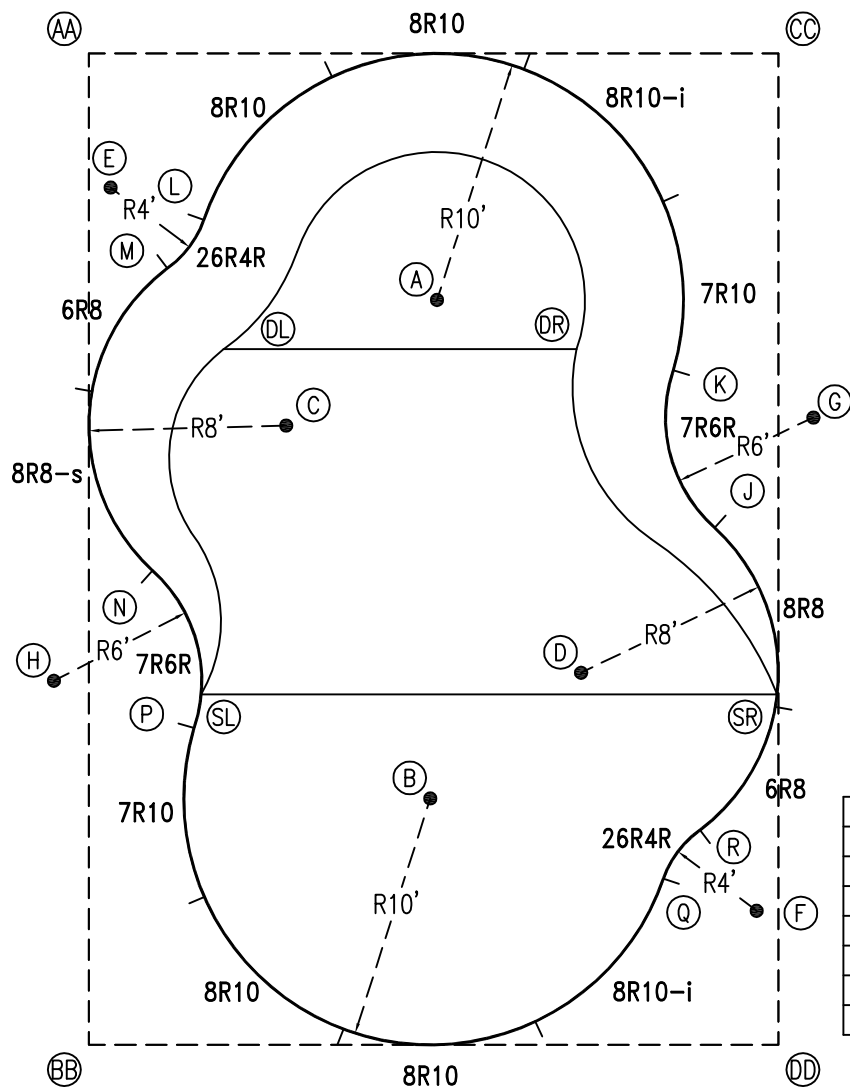
SWIMMING POOLS AND ACCESSORIES (INCLUDING DIVING BOARDS) ARE DANGEROUS WHEN IMPROPERLY USED OR INSTALLED. IT IS THE RESPONSIBILITY OF MUNICIPAL OFFICIALS, BUILDERS AND POOL OWNERS TO ADHERE TO ALL SAFETY RECOMMENDATIONS AND STANDARDS ISSUED BY THE POOL & HOT TUB COUNCIL, LOCAL AUTHORITIES AND EQUIPMENT MANUFACTURERS. PLEASE REFER TO DIVING BOARD MANUFACTURERS FOR CORRECT POSITIONING AND INSTALLATION OF DIVING EQUIPMENT.

**HIGHBURY POOLS LTD**

LIBERTY - RIGHT 20 x 28 x 40

DRAWING REFERENCE #  
96-20-40-2

DRAWN BY: JK  
REV. 29 AUG 13  
SHEET 1 OF 2



EXTERNAL INSTALLATION DATA

AA TO:	BB TO:	CC TO:	DD TO:
AA ---	AA 40'-2 3/4"	AA 27'-11 1/2"	AA 48'-11 3/4"
BB ---	BB ---	BB 48'-11 3/4"	BB 27'-11 1/2"
CC ---	CC ---	CC ---	CC 40'-2 3/4"
A 17'-3 1/2"	A 33'-4 1/4"	A 17'-0 3/4"	A 33'-2 3/4"
B 33'-2 3/4"	B 17'-0 3/4"	B 33'-4 1/4"	B 17'-3 1/2"
C 17'-1"	C 26'-4 1/4"	C 25'-0 1/4"	C 32'-1"
D 32'-1"	D 25'-0 1/4"	D 26'-4 1/4"	D 17'-1"
E 5'-6"	E 34'-9 1/2"	E 27'-7 1/2"	E 44'-1"
F 44'-1"	F 27'-7 1/2"	F 34'-9 1/2"	F 5'-6"
G 32'-10 1/2"	G 38'-10 1/2"	G 14'-10"	G 25'-5 3/4"
H 25'-5 3/4"	H 14'-10"	H 38'-10 1/2"	H 32'-10 1/2"
J 31'-10 1/4"	J 32'-11 1/4"	J 19'-5"	J 21'-1 1/2"
K 26'-11 1/2"	K 36'-2 1/2"	K 13'-6 1/2"	K 27'-8 1/4"
L 8'-2 1/4"	L 33'-9 1/2"	L 24'-3"	L 40'-9 1/2"
M 9'-3 1/4"	M 31'-8"	M 26'-3 1/4"	M 40'-1"
N 21'-1 1/2"	N 19'-5"	N 32'-11 1/4"	N 31'-10 1/4"
P 27'-8 1/4"	P 13'-6 1/2"	P 36'-2 1/2"	P 26'-11 1/2"
Q 40'-9 1/2"	Q 24'-3"	Q 33'-9 1/2"	Q 8'-2 1/4"
R 40'-1"	R 26'-3 1/4"	R 31'-8"	R 9'-3 1/4"
SL 26'-4 3/4"	SL 14'-11 1/4"	SL 34'-11 3/4"	SL 27'-4 3/4"
SR 38'-1 3/4"	SR 31'-3 3/4"	SR 26'-0"	SR 14'-2 3/4"
DL 13'-2 1/4"	DL 28'-9"	DL 25'-5 3/4"	DL 36'-1"
DR 23'-1 1/2"	DR 34'-5 1/2"	DR 14'-6 1/4"	DR 29'-4 1/2"

DIAGONALS

From Point "J" to:-	From Point "K" to:-
K 6'-7 3/8"	K
L 24'-2 3/8"	L 20'-0"
M 24'-6 7/8"	M 20'-11 1/4"
N 22'-10 1/2"	N 22'-7 5/8"
P 22'-7 5/8"	P 24'-3 1/8"
Q 14'-4 5/8"	Q 20'-7 1/2"
R 12'-3 3/8"	R 18'-8 1/4"

NOTICE

SWIMMING POOLS AND ACCESSORIES (INCLUDING DIVING BOARDS) ARE DANGEROUS WHEN IMPROPERLY USED OR INSTALLED. IT IS THE RESPONSIBILITY OF MUNICIPAL OFFICIALS, BUILDERS AND POOL OWNERS TO ADHERE TO ALL SAFETY RECOMMENDATIONS AND STANDARDS ISSUED BY THE POOL & HOT TUB COUNCIL, LOCAL AUTHORITIES AND EQUIPMENT MANUFACTURERS. PLEASE REFER TO DIVING BOARD MANUFACTURERS FOR CORRECT POSITIONING AND INSTALLATION OF DIVING EQUIPMENT.

