

**MISCELLANEOUS INFORMATION**

PERIMETER:	84'8"
SURFACE AREA:	452 SQ FT
VOLUME:	13817 IMP GALS 62867 LITER

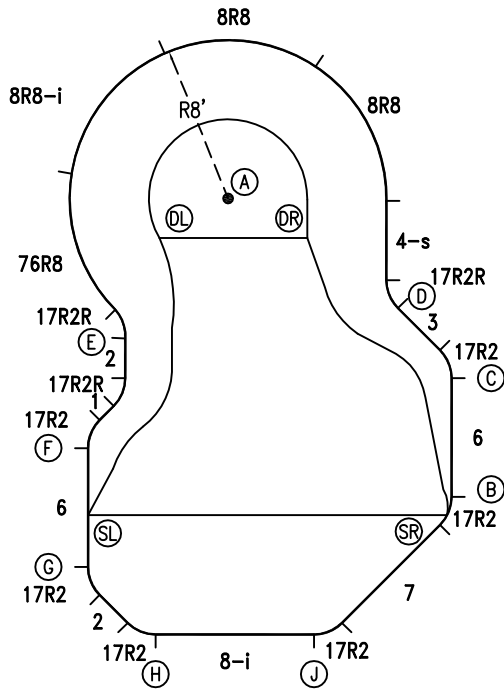
**CONCRETE DECK INFO**

WIDTH	AREA	NET INCREASES FOR:			
		STEPS	DIVING	SLIDE	ROLLER
2'	182	13	27	24	10
2'6"	232	17	31	20	10
3'	283	20	36	16	10

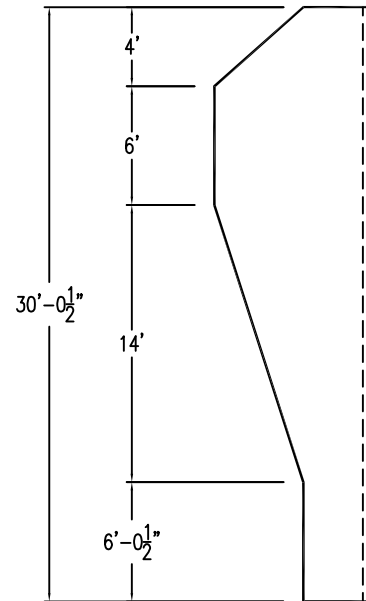
All Figures Represent "Sq Ft"

**PARTS LIST**

CODE	QTY	DESCRIPTION
17R2	6	1'7" Plain x 2' Radius
6	2	6' Plain
3	1	3' Plain
17R2R	3	1'7" Plain x 2' Reverse Radius
4-s	1	4' Skimmer
8R8	2	8' Plain x 8' Radius
8R8-i	1	8' Return x 8' Radius
76R8	1	7'6" Plain x 8' Radius
2	2	2' Plain
1	1	1' Plain
8-i	1	8' Return
7	1	7' Plain
AF	22	A-Frame
S	44	Stakes
NB	132	Nuts & Bolts



6" WATER LINE

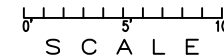


**INSTALLATION DATA**

From Point "A" to:-		From Point "B" to:-	
B	18'-10"	B	6'-0"
C	14'-5 3/4"	C	6'-0"
D	10'-2 1/2"	D	9'-10 3/4"
E	8'-9 1/4"	E	18'-3 3/4"
F	14'-5 1/2"	F	18'-6 1/4"
G	19'-10 3/4"	G	18'-8 1/4"
H	22'-3 3/4"	H	16'-5 3/4"
J	22'-5 1/4"	J	9'-9 3/4"
SL	17'-5 3/4"	SL	18'-4 1/2"
SR	19'-5 1/2"	SR	0'-11 1/4"
DL	4'-0"	DL	19'-8 1/2"
DR	4'-5 1/2"	DR	14'-11 1/2"

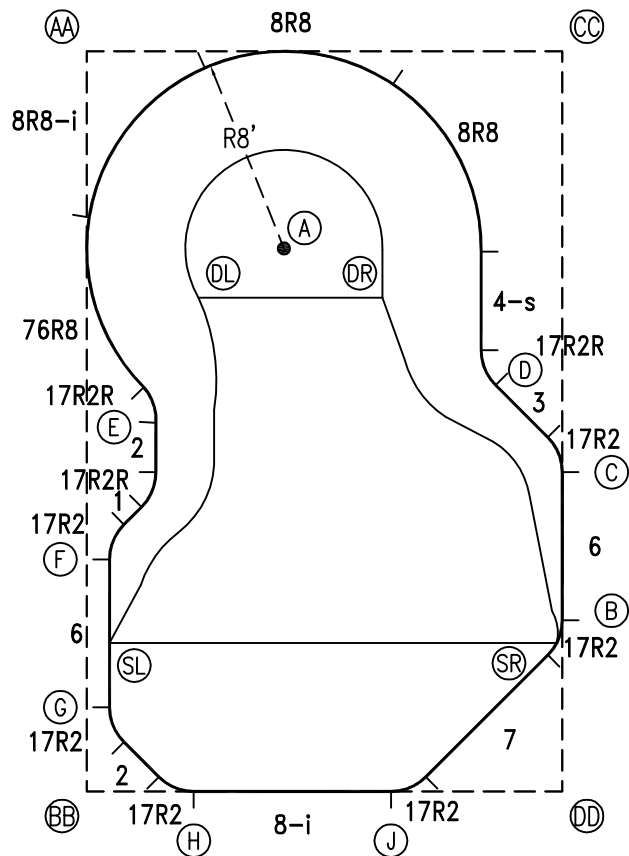
19'-3 1/2"

\*ALL DIMENSIONS ARE FINISHED



**NOTICE**

SWIMMING POOLS AND ACCESSORIES (INCLUDING DIVING BOARDS) ARE DANGEROUS WHEN IMPROPERLY USED OR INSTALLED. IT IS THE RESPONSIBILITY OF MUNICIPAL OFFICIALS, BUILDERS AND POOL OWNERS TO ADHERE TO ALL SAFETY RECOMMENDATIONS AND STANDARDS ISSUED BY THE POOL & HOT TUB COUNCIL, LOCAL AUTHORITIES AND EQUIPMENT MANUFACTURERS. PLEASE REFER TO DIVING BOARD MANUFACTURERS FOR CORRECT POSITIONING AND INSTALLATION OF DIVING EQUIPMENT.



EXTERNAL INSTALLATION DATA

AA TO:	BB TO:	CC TO:	DD TO:
AA ---	AA 30'-0 1/4"	AA 19'-3 1/2"	AA 35'-8 1/4"
BB ---	BB ---	BB 35'-8 1/4"	BB 19'-3 1/2"
CC ---	CC ---	CC ---	CC 30'-0 1/4"
A 11'-3 3/4"	A 23'-5 1/4"	A 13'-10"	A 24'-9"
B 30'-0 3/4"	B 20'-6"	B 23'-0 3/4"	B 6'-11 1/4"
C 25'-9"	C 23'-2 3/4"	C 17'-0 3/4"	C 12'-11 1/4"
D 21'-4 3/4"	D 23'-4 1/2"	D 13'-9 3/4"	D 16'-8 1/2"
E 15'-4"	E 15'-2 1/2"	E 22'-4"	E 22'-3"
F 20'-7 1/2"	F 9'-5 1/2"	F 27'-7 1/4"	F 20'-7 1/2"
G 26'-7 1/2"	G 3'-6 1/2"	G 32'-4"	G 18'-8"
H 30'-4"	H 4'-4"	H 33'-6 1/2"	H 14'-11 1/4"
J 32'-5 1/2"	J 12'-4"	J 30'-9 3/4"	J 6'-11 1/4"
SL 24'-0 1/4"	SL 6'-1"	SL 30'-2 1/2"	SL 19'-3 3/4"
SR 30'-7 3/4"	SR 20'-0"	SR 24'-0"	SR 6'-0 1/4"
DL 10'-11 3/4"	DL 20'-6 1/4"	DL 17'-9 3/4"	DL 24'-10 1/2"
DR 15'-7 1/2"	DR 23'-4"	DR 12'-4 1/2"	DR 21'-3 3/4"

DIAGONALS

From Point "B" to:-	From Point "C" to:-
C 6'-0"	C
D 9'-10 7/8"	D 4'-5 3/8"
E 18'-3 7/8"	E 16'-7 1/4"
F 18'-6 3/8"	F 18'-8 3/8"
G 18'-8 1/2"	G 20'-8 3/8"
H 16'-5 7/8"	H 19'-9 3/8"
J 9'-9 7/8"	J 14'-8 3/8"

NOTICE

SWIMMING POOLS AND ACCESSORIES (INCLUDING DIVING BOARDS) ARE DANGEROUS WHEN IMPROPERLY USED OR INSTALLED. IT IS THE RESPONSIBILITY OF MUNICIPAL OFFICIALS, BUILDERS AND POOL OWNERS TO ADHERE TO ALL SAFETY RECOMMENDATIONS AND STANDARDS ISSUED BY THE POOL & HOT TUB COUNCIL, LOCAL AUTHORITIES AND EQUIPMENT MANUFACTURERS. PLEASE REFER TO DIVING BOARD MANUFACTURERS FOR CORRECT POSITIONING AND INSTALLATION OF DIVING EQUIPMENT.

