

**MISCELLANEOUS INFORMATION**

PERIMETER:	94'8"
SURFACE AREA:	543 SQ FT
VOLUME:	15506 IMP GALS 70552 LITER

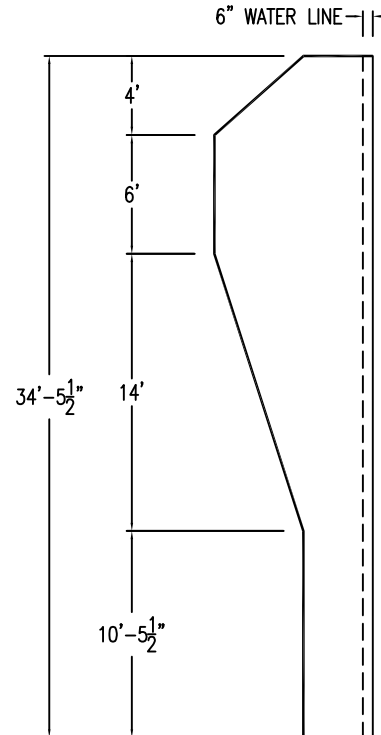
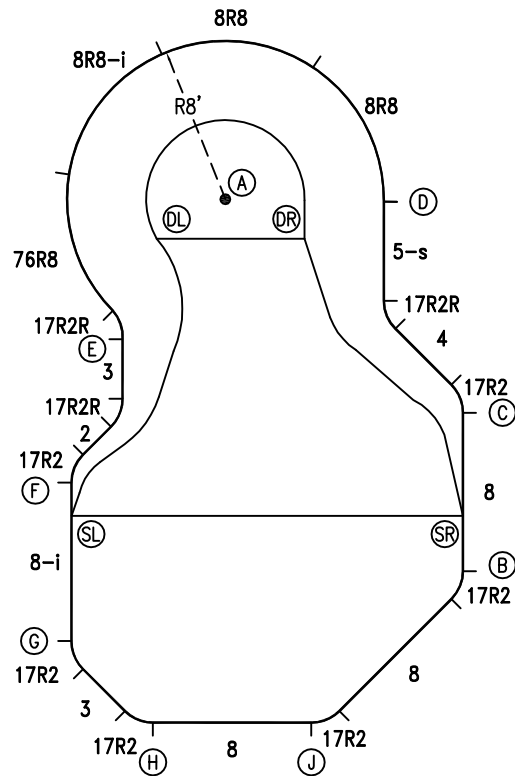
**CONCRETE DECK INFO**

WIDTH	AREA	NET INCREASES FOR:			
		STEPS	DIVING	SLIDE	ROLLER
2'	202	13	27	24	10
2'6"	256	17	31	20	10
3'	312	20	36	16	10

All Figures Represent "Sq Ft"

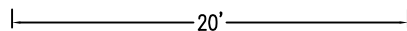
**PARTS LIST**

CODE	QTY	DESCRIPTION
17R2	6	1'7" Plain x 2' Radius
8	3	8' Plain
4	1	4' Plain
17R2R	3	1'7" Plain x 2' Reverse Radius
5-s	1	5' Skimmer
8R8	2	8' Plain x 8' Radius
8R8-i	1	8' Return x 8' Radius
76R8	1	7'6" Plain x 8' Radius
3	2	3' Plain
2	1	2' Plain
8-i	1	8' Return
AF	22	A-Frame
S	44	Stakes
NB	132	Nuts & Bolts

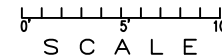


**INSTALLATION DATA**

From Point "A" to:-		From Point "B" to:-	
B	22'-3 1/2"	B	8'-0"
C	16'-1 1/2"	C	8'-0"
D	8'-0"	D	19'-0 3/4"
E	8'-9 1/4"	E	20'-9 1/2"
F	16'-3 1/2"	F	20'-3 1/4"
G	23'-7 1/2"	G	20'-1"
H	26'-8 1/4"	H	17'-5"
J	26'-9 1/2"	J	10'-9 3/4"
SL	17'-9 1/2"	SL	19'-11 1/2"
SR	20'-0"	SR	2'-9 1/4"
DL	4'-0"	DL	22'-9 3/4"
DR	4'-5 1/2"	DR	18'-7"



\*ALL DIMENSIONS ARE FINISHED



**NOTICE**

SWIMMING POOLS AND ACCESSORIES (INCLUDING DIVING BOARDS) ARE DANGEROUS WHEN IMPROPERLY USED OR INSTALLED. IT IS THE RESPONSIBILITY OF MUNICIPAL OFFICIALS, BUILDERS AND POOL OWNERS TO ADHERE TO ALL SAFETY RECOMMENDATIONS AND STANDARDS ISSUED BY THE POOL & HOT TUB COUNCIL, LOCAL AUTHORITIES AND EQUIPMENT MANUFACTURERS. PLEASE REFER TO DIVING BOARD MANUFACTURERS FOR CORRECT POSITIONING AND INSTALLATION OF DIVING EQUIPMENT.

