

MISCELLANEOUS INFORMATION

PERIMETER:	100'2"
SURFACE AREA:	608 SQ FT
VOLUME:	16727 IMP GALS 76108 LITER

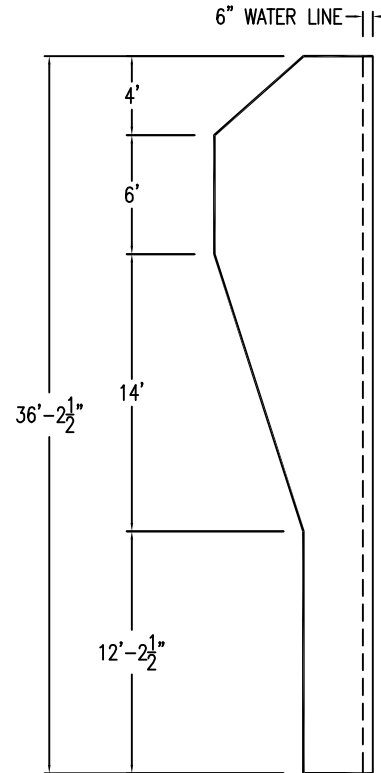
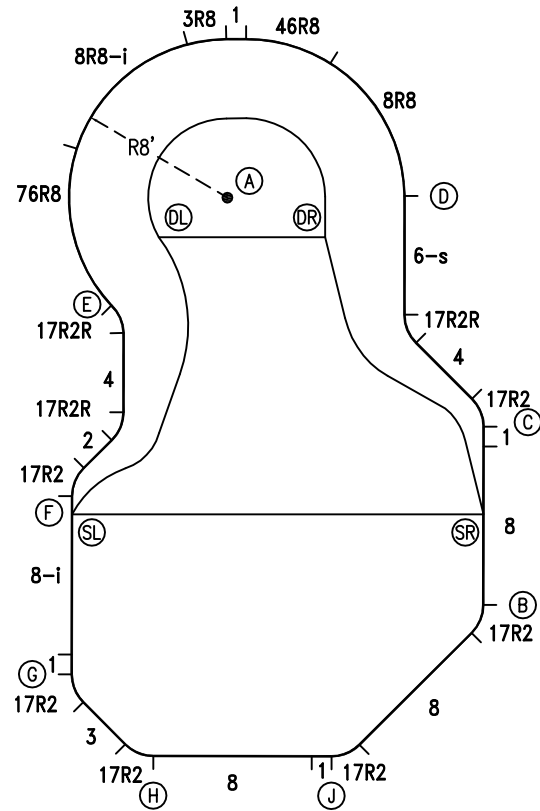
CONCRETE DECK INFO

WIDTH	AREA	NET INCREASES FOR:			
		STEPS	DIVING	SLIDE	ROLLER
2'	213	13	27	24	10
2'6"	270	17	31	20	10
3'	329	20	36	16	10

All Figures Represent "Sq Ft"

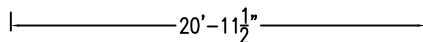
PARTS LIST

CODE	QTY	DESCRIPTION
17R2	6	1'7" Plain x 2' Radius
8	3	8' Plain
1	4	1' Plain
4	2	4' Plain
17R2R	3	1'7" Plain x 2' Reverse Radius
6-s	1	6' Skimmer
8R8	1	8' Plain x 8' Radius
46R8	1	4'6" Plain x 8' Radius
3R8	1	3' Plain x 8' Radius
8R8-i	1	8' Return x 8' Radius
76R8	1	7'6" Plain x 8' Radius
2	1	2' Plain
8-i	1	8' Return
3	1	3' Plain
AF	27	A-Frame
S	54	Stakes
NB	162	Nuts & Bolts

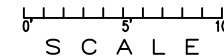


INSTALLATION DATA

From Point "A" to:-		From Point "B" to:-	
B	24'-3 3/4"	B	9'-0"
C	17'-4 1/4"	C	9'-0"
D	8'-11 1/4"	D	21'-0 1/2"
E	8'-0"	E	24'-1 1/2"
F	16'-11 3/4"	F	21'-5 3/4"
G	25'-3 3/4"	G	21'-1"
H	28'-5 1/4"	H	18'-4"
J	28'-8 1/2"	J	10'-10"
SL	17'-9 3/4"	SL	21'-3 1/4"
SR	20'-6 3/4"	SR	4'-6 3/4"
DL	4'-0"	DL	24'-9 1/2"
DR	5'-3 3/4"	DR	20'-2 3/4"



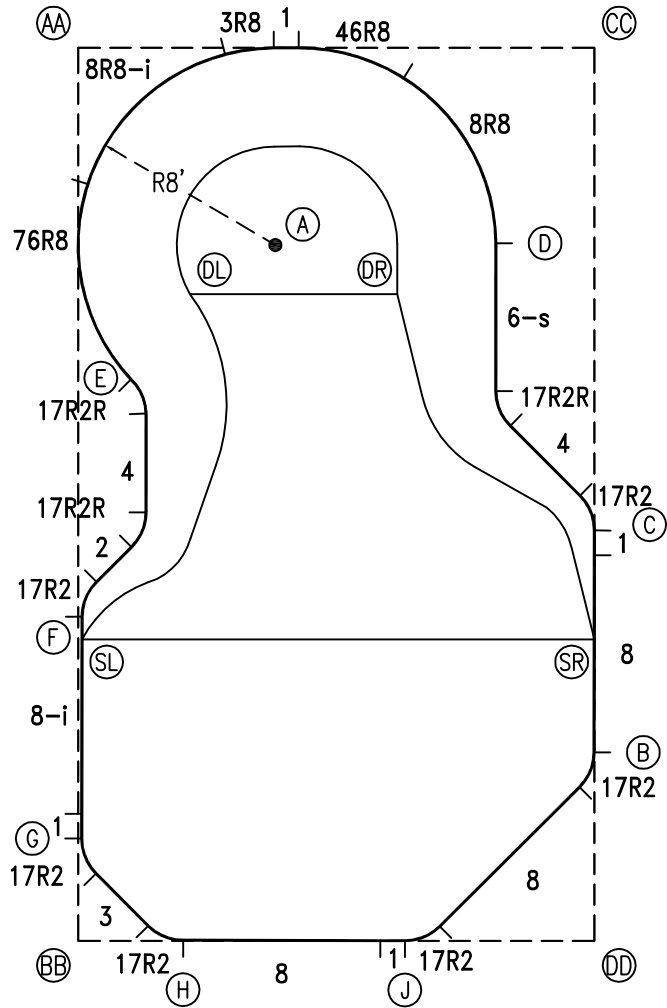
*ALL DIMENSIONS ARE FINISHED



NOTICE

SWIMMING POOLS AND ACCESSORIES (INCLUDING DIVING BOARDS) ARE DANGEROUS WHEN IMPROPERLY USED OR INSTALLED. IT IS THE RESPONSIBILITY OF MUNICIPAL OFFICIALS, BUILDERS AND POOL OWNERS TO ADHERE TO ALL SAFETY RECOMMENDATIONS AND STANDARDS ISSUED BY THE POOL & HOT TUB COUNCIL, LOCAL AUTHORITIES AND EQUIPMENT MANUFACTURERS. PLEASE REFER TO DIVING BOARD MANUFACTURERS FOR CORRECT POSITIONING AND INSTALLATION OF DIVING EQUIPMENT.

PERIMETER: 100'2"



EXTERNAL INSTALLATION DATA

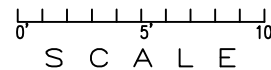
AA TO:	BB TO:	CC TO:	DD TO:
AA ---	AA 36'-2 3/4"	AA 20'-11 1/4"	AA 41'-10"
BB ---	BB ---	BB 41'-10"	BB 20'-11 1/4"
CC ---	CC ---	CC ---	CC 36'-2 3/4"
A 11'-3 3/4"	A 29'-4"	A 15'-2 1/2"	A 31'-0 1/2"
B 35'-5 1/4"	B 22'-3 1/2"	B 28'-7"	B 7'-7 3/4"
C 28'-8"	C 26'-9"	C 19'-7"	C 16'-7 3/4"
D 18'-8 1/2"	D 32'-11 3/4"	D 8'-10 1/2"	D 28'-6 3/4"
E 13'-7 1/2"	E 22'-10 1/2"	E 23'-1 1/2"	E 29'-6 1/4"
F 23'-1"	F 13'-1 3/4"	F 31'-0 3/4"	F 24'-7"
G 32'-1"	G 4'-1 3/4"	G 38'-2 3/4"	G 21'-2 1/2"
H 36'-5 1/2"	H 4'-3"	H 39'-10 1/2"	H 16'-8 1/4"
J 38'-6 3/4"	J 13'-3"	J 37'-0 1/4"	J 7'-8 1/4"
SL 24'-0"	SL 12'-2 3/4"	SL 31'-9"	SL 24'-1 1/4"
SR 31'-10 1/4"	SR 24'-2 3/4"	SR 24'-0"	SR 12'-2 3/4"
DL 10'-11 3/4"	DL 26'-7 1/4"	DL 19'-2 1/2"	DL 30'-11 1/4"
DR 16'-4 1/4"	DR 29'-2 3/4"	DR 12'-9 3/4"	DR 27'-5"

DIAGONALS

From Point "B" to:-	From Point "C" to:-
C 9'-0"	C
D 21'-0 1/2"	D 12'-3 7/8"
E 24'-1 3/8"	E 19'-9 1/4"
F 21'-5 7/8"	F 21'-0 7/8"
G 21'-0 7/8"	G 24'-3 1/4"
H 18'-4 1/8"	H 23'-6 3/4"
J 10'-9 7/8"	J 18'-3 7/8"

NOTICE

SWIMMING POOLS AND ACCESSORIES (INCLUDING DIVING BOARDS) ARE DANGEROUS WHEN IMPROPERLY USED OR INSTALLED. IT IS THE RESPONSIBILITY OF MUNICIPAL OFFICIALS, BUILDERS AND POOL OWNERS TO ADHERE TO ALL SAFETY RECOMMENDATIONS AND STANDARDS ISSUED BY THE POOL & HOT TUB COUNCIL, LOCAL AUTHORITIES AND EQUIPMENT MANUFACTURERS. PLEASE REFER TO DIVING BOARD MANUFACTURERS FOR CORRECT POSITIONING AND INSTALLATION OF DIVING EQUIPMENT.



HIGHBURY POOLS LTD

MONTEGO - LEFT 17 x 21 x 36

DRAWING REFERENCE #
22-17-36-1

DRAWN BY: JK
REV. 8 JUL 13
SHEET 2 OF 2