

MISCELLANEOUS INFORMATION

PERIMETER:-	84'-7 1/2"
SURFACE AREA:	452.4 SQ FT
VOLUME:	12741 IMP GALS 57972 L

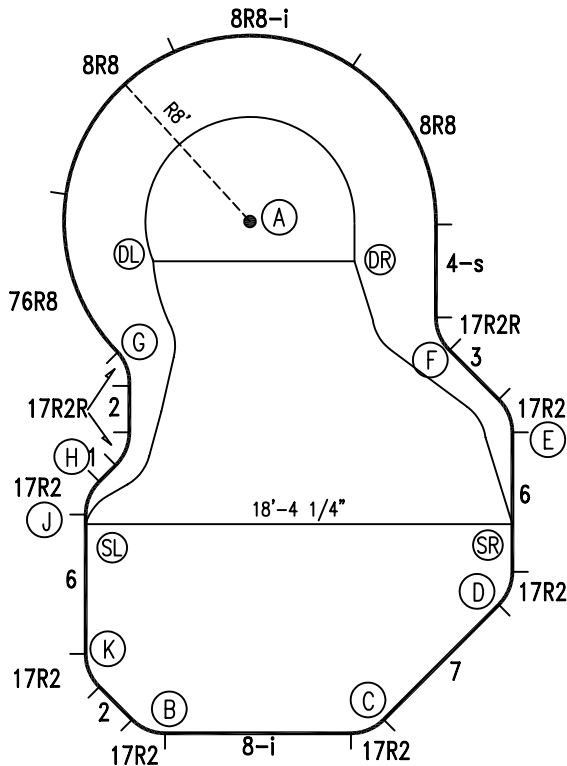
CONCRETE DECK INFO

WIDTH	AREA	NET INCREASES FOR:			
		STEPS	DIVING	SLIDE	ROLLER
2"	182	13	27	24	10
2'6"	232	17	31	20	10
3'	283	20	36	16	10

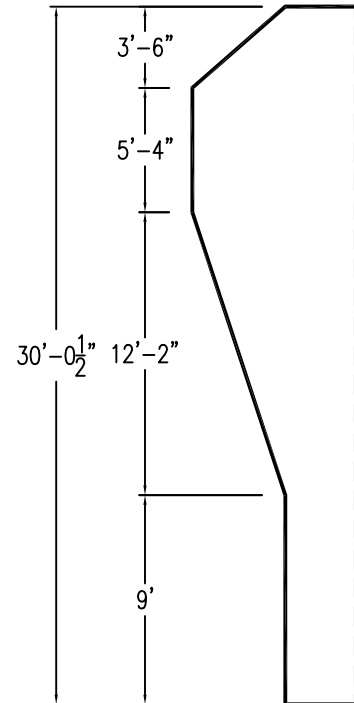
All Figures Represent "Sq Ft"

PARTS LIST

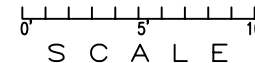
CODE	QTY	DESCRIPTION
4-s	1	4' Skimmer
8-i	1	8' Return
8R8-i	1	8' Return x 8' Radius
7	1	7' Plain
6	2	6' Plain
3	1	3' Plain
2	2	2' Plain
1	1	1' Plain
8R8	2	8' Plain x 8' Radius
76R8	1	7'6" Plain x 8' Radius
17R2	6	1'7" Plain x 2' Radius
17R2R	3	1'7" Plain x 2' Reverse Rad
AF	22	A-Frame
S	44	Stake
NB	132	Nuts & Bolts



6" WATER LINE - I I -



*ALL DIMENSIONS ARE FINISHED



INSTALLATION DATA

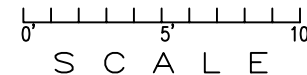
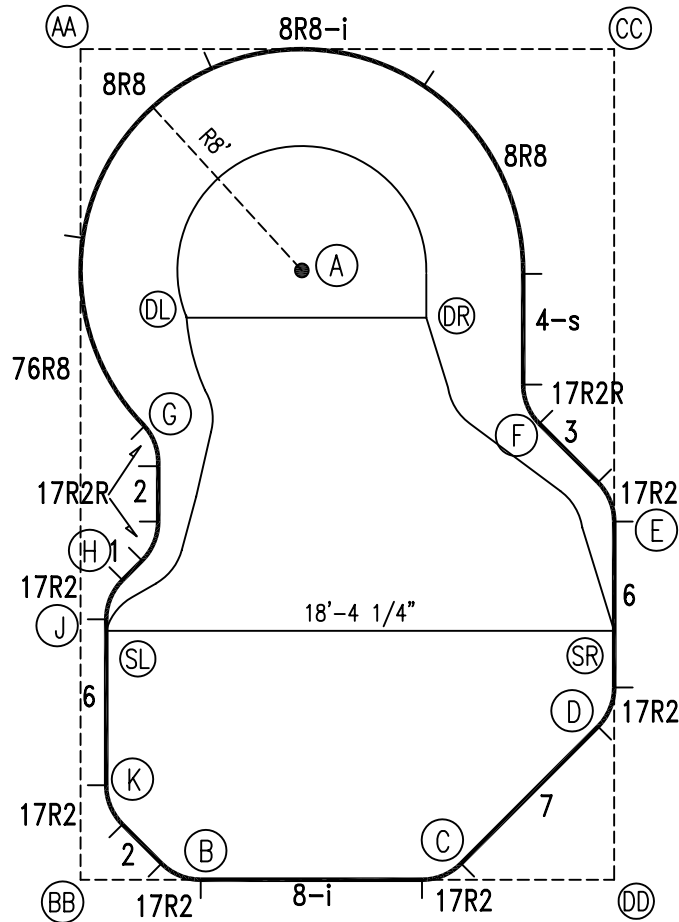
From Point "A" to:-		From Point "B" to:-	
B	22'-3 7/8"	B	9'-5 1/4"
C	22'-2 3/8"	C	15'-4 3/4"
D	19'-7 7/8"	D	19'-9 3/8"
E	14'-5 7/8"	E	20'-6 3/8"
F	10'-2 5/8"	F	16'-6 1/4"
G	8'-0"	G	11'-2 1/4"
H	12'-11 1/4"	H	10'-0 1/8"
J	14'-5 1/2"	K	4'-9 7/8"
K	19'-10 7/8"	SL	9'-7 1/2"
SL	14'-9 7/8"	SR	17'-5 3/8"
SR	17'-2 7/8"	DL	20'-3 7/8"
DL	4'-5 7/8"	DR	21'-10 3/4"
DR	4'-9 3/4"		

NOTICE

SWIMMING POOLS AND ACCESSORIES (INCLUDING DIVING BOARDS) ARE DANGEROUS WHEN IMPROPERLY USED OR INSTALLED. IT IS THE RESPONSIBILITY OF MUNICIPAL OFFICIALS, BUILDERS AND POOL OWNERS TO ADHERE TO ALL SAFETY RECOMMENDATIONS AND STANDARDS ISSUED BY THE POOL & HOT TUB COUNCIL, LOCAL AUTHORITIES AND EQUIPMENT MANUFACTURERS. PLEASE REFER TO DIVING BOARD MANUFACTURERS FOR CORRECT POSITIONING AND INSTALLATION OF DIVING EQUIPMENT.

EXTERNAL INSTALLATION DATA

AA TO:	BB TO:	CC TO:	DD TO:
AA ---	AA 30'-0 1/4"	AA 19'-3 1/2"	AA 35'-8 1/4"
BB ---	BB ---	BB 35'-8 1/4"	BB 19'-3 1/2"
CC ---	CC ---	CC ---	CC 30'-0 1/4"
A 11'-3 3/4"	A 23'-5 1/4"	A 13'-10 1/8"	A 24'-9"
B 30'-4"	B 4'-4 1/8"	B 33'-6 1/2"	B 14'-11 3/8"
C 32'-5 7/8"	C 13'-9 1/4"	C 29'-11 1/2"	C 5'-6 3/4"
D 30'-9 3/4"	D 19'-6 1/8"	D 24'-5 7/8"	D 5'-6 3/4"
E 25'-9 1/8"	E 23'-2 7/8"	E 17'-0 7/8"	E 12'-11 3/8"
F 21'-4 7/8"	F 23'-4 5/8"	F 13'-9 3/4"	F 16'-8 1/2"
G 13'-9 7/8"	G 16'-6 3/4"	G 21'-9 1/4"	G 23'-7 1/4"
H 19'-3 1/8"	H 10'-11 1/4"	H 26'-1 7/8"	H 20'-9 3/4"
J 20'-7 5/8"	J 9'-5 1/2"	J 27'-7 1/4"	J 20'-7 5/8"
K 26'-7 1/2"	K 3'-6 1/2"	K 32'-3 7/8"	K 18'-8 1/8"
SL 21'-0 1/2"	SL 9'-0 5/8"	SL 27'-10 7/8"	SL 20'-5 3/8"
SR 28'-6 3/8"	SR 21'-3 1/2"	SR 21'-0 1/4"	SR 9'-0"
DL 10'-5 1/4"	DL 20'-8 1/8"	DL 18'-3"	DL 25'-6 3/8"
DR 15'-9 7/8"	DR 23'-10 1/4"	DR 11'-10 1/4"	DR 21'-5 1/8"



NOTICE

SWIMMING POOLS AND ACCESSORIES (INCLUDING DIVING BOARDS) ARE DANGEROUS WHEN IMPROPERLY USED OR INSTALLED. IT IS THE RESPONSIBILITY OF MUNICIPAL OFFICIALS, BUILDERS AND POOL OWNERS TO ADHERE TO ALL SAFETY RECOMMENDATIONS AND STANDARDS ISSUED BY THE POOL & HOT TUB COUNCIL, LOCAL AUTHORITIES AND EQUIPMENT MANUFACTURERS. PLEASE REFER TO DIVING BOARD MANUFACTURERS FOR CORRECT POSITIONING AND INSTALLATION OF DIVING EQUIPMENT.

HIGHBURY POOLS LTD

MONTEGO - LEFT 18'4 x 30

DRAWING REFERENCE #
22-18-30-1

DRAWN BY: BC
REV. 11 DEC 2006
SHEET 2 OF 2