

### MISCELLANEOUS INFORMATION

PERIMETER:-	88'-7 1/2"
SURFACE AREA:	484.0 SQ FT
VOLUME:	14470 IMP GALS 65840 L

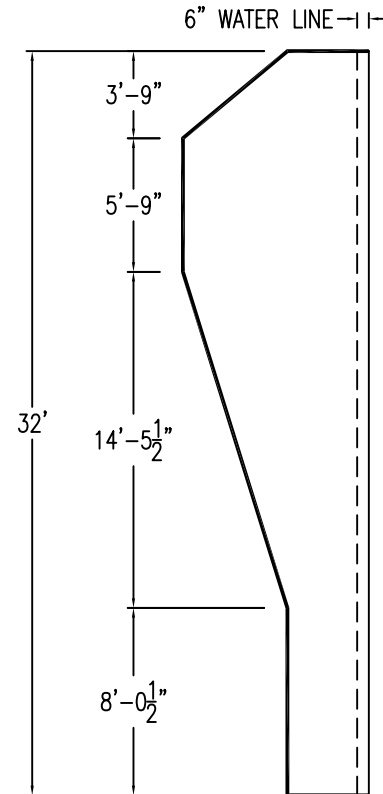
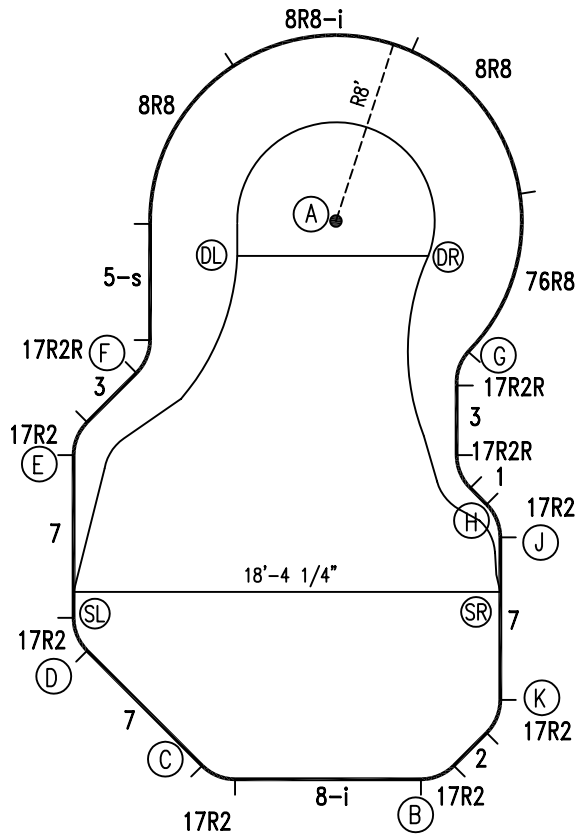
### CONCRETE DECK INFO

WIDTH	AREA	NET INCREASES FOR:			
		STEPS	DIVING	SLIDE	ROLLER
2"	190	13	27	24	10
2'6"	241	17	31	20	10
3'	294	20	36	16	10

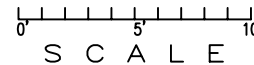
All Figures Represent "Sq Ft"

### PARTS LIST

CODE	QTY	DESCRIPTION
5-s	1	5' Skimmer
8R8-i	1	8' Return x 8' Radius
8-i	1	8' Return
8R8	2	8' Plain x 8' Radius
76R8	1	7'6" Plain x 8' Radius
17R2	6	1'7" Plain x 8' Radius
17R2R	3	1'7" Plain x 8' Reverse Rad
7	3	7' Plain
3	2	3' Plain
2	1	2' Plain
1	1	1' Plain
AF	22	A-Frame
S	44	Stake
NB	132	Nuts & Bolts



\*ALL DIMENSIONS ARE FINISHED



### INSTALLATION DATA

From Point "A" to:-		From Point "B" to:-	
B	24'-3 5/8"	B	9'-5 1/4"
C	24'-1 5/8"	C	9'-5 1/4"
D	21'-4 3/8"	D	15'-4 3/4"
E	15'-1 5/8"	E	20'-5 3/8"
F	10'-9 1/2"	F	21'-4 1/8"
G	8'-0"	G	18'-6 1/8"
H	13'-9 3/4"	H	12'-1 7/8"
J	15'-4"	J	10'-11 1/2"
K	21'-9 1/2"	K	4'-9 7/8"
SR	17'-5 1/2"	SR	8'-9"
SL	19'-6 5/8"	SL	16'-11 3/4"
DR	4'-2 7/8"	DR	22'-6 3/8"
DL	4'-6 1/8"	DL	23'-10 1/2"

### NOTICE

SWIMMING POOLS AND ACCESSORIES (INCLUDING DIVING BOARDS) ARE DANGEROUS WHEN IMPROPERLY USED OR INSTALLED. IT IS THE RESPONSIBILITY OF MUNICIPAL OFFICIALS, BUILDERS AND POOL OWNERS TO ADHERE TO ALL SAFETY RECOMMENDATIONS AND STANDARDS ISSUED BY THE POOL & HOT TUB COUNCIL, LOCAL AUTHORITIES AND EQUIPMENT MANUFACTURERS. PLEASE REFER TO DIVING BOARD MANUFACTURERS FOR CORRECT POSITIONING AND INSTALLATION OF DIVING EQUIPMENT.

