

### MISCELLANEOUS INFORMATION

PERIMETER:	110'2"
SURFACE AREA:	731 SQ FT
VOLUME:	19689 IMP GALS 89585 LITER

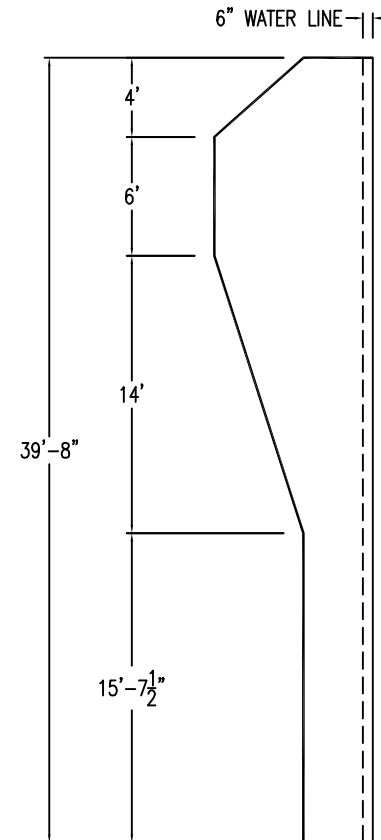
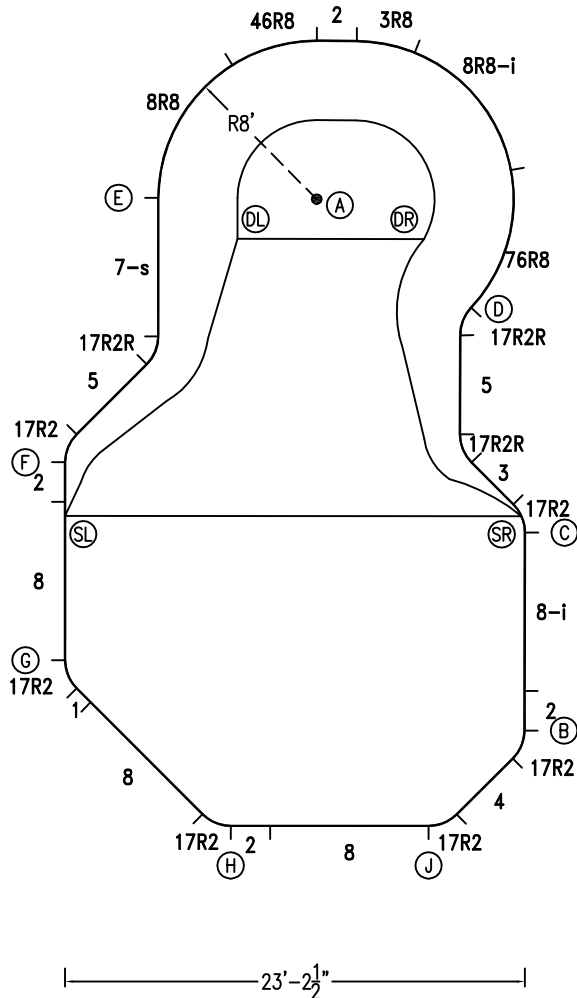
### CONCRETE DECK INFO

WIDTH	AREA	NET INCREASES FOR:			
		STEPS	DIVING	SLIDE	ROLLER
2'	233	13	27	24	10
2'6"	295	17	31	20	10
3'	359	20	36	16	10

All Figures Represent "Sq Ft"

### PARTS LIST

CODE	QTY	DESCRIPTION
17R2	6	1'7" Plain x 2' Radius
8	3	8' Plain
2	4	2' Plain
5	2	5' Plain
17R2R	3	1'7" Plain x 2' Reverse Radius
7-s	1	7' Skimmer
8R8	1	8' Plain x 8' Radius
46R8	1	4'6" Plain x 8' Radius
3R8	1	3' Plain x 8' Radius
8R8-i	1	8' Return x 8' Radius
76R8	1	7'6" Plain x 8' Radius
3	1	3' Plain
8-i	1	8' Return
4	1	4' Plain
1	1	1' Plain
AF	28	A-Frame
S	56	Stakes
NB	168	Nuts & Bolts



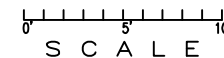
### INSTALLATION DATA

From Point "A" to:-		From Point "B" to:-	
B	28'-9 3/4"	B	10'-0"
C	19'-10 1/4"	C	10'-0"
D	9'-6 1/4"	D	21'-6 1/4"
E	8'-0"	E	32'-7 3/4"
F	18'-4 1/2"	F	26'-10 1/4"
G	26'-6 1/4"	G	23'-5 1/2"
H	31'-11 1/2"	H	15'-7 1/4"
J	32'-1 3/4"	J	6'-9 3/4"
SL	20'-5 1/4"	SL	25'-7 1/4"
SR	19'-0 3/4"	SR	10'-9 3/4"
DL	4'-5 3/4"	DL	28'-9"
DR	5'-9 1/4"	DR	25'-4"

### NOTICE

SWIMMING POOLS AND ACCESSORIES (INCLUDING DIVING BOARDS) ARE DANGEROUS WHEN IMPROPERLY USED OR INSTALLED. IT IS THE RESPONSIBILITY OF MUNICIPAL OFFICIALS, BUILDERS AND POOL OWNERS TO ADHERE TO ALL SAFETY RECOMMENDATIONS AND STANDARDS ISSUED BY THE POOL & HOT TUB COUNCIL, LOCAL AUTHORITIES AND EQUIPMENT MANUFACTURERS. PLEASE REFER TO DIVING BOARD MANUFACTURERS FOR CORRECT POSITIONING AND INSTALLATION OF DIVING EQUIPMENT.

\*ALL DIMENSIONS ARE FINISHED



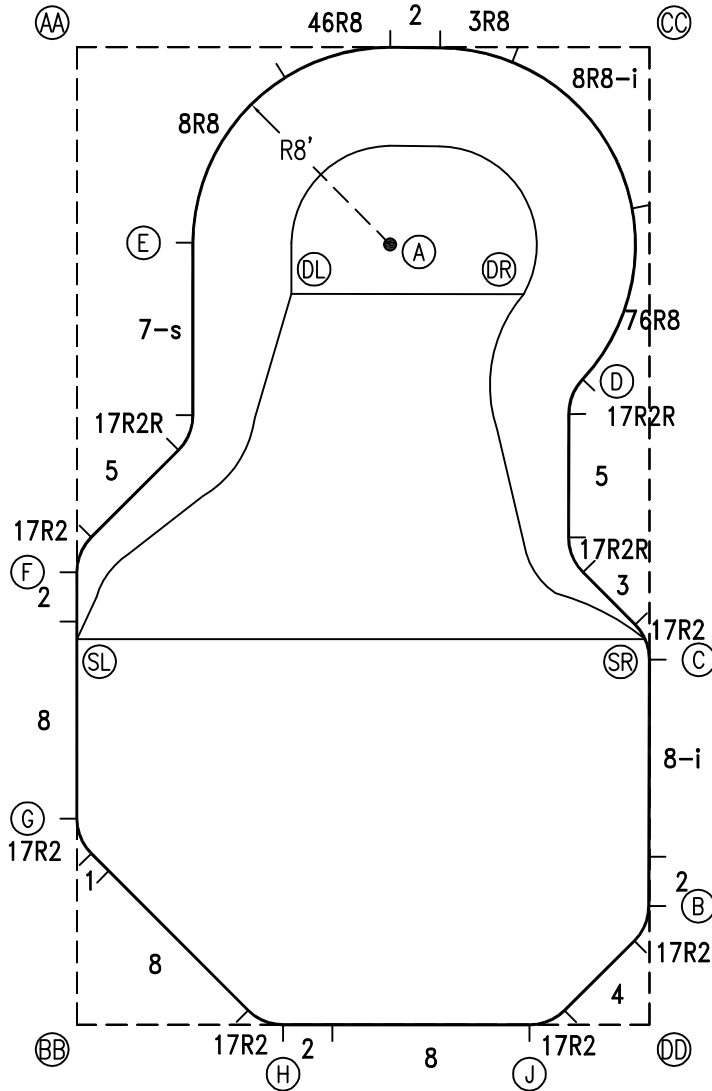
HIGHBURY POOLS LTD

MONTEGO - RIGHT 18 x 23 x 40

DRAWING REFERENCE #  
22-18-40-2

DRAWN BY: JK  
REV. 8 JUL 13  
SHEET 1 OF 2

PERIMETER: 110'2"



EXTERNAL INSTALLATION DATA

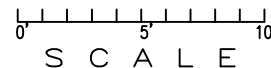
AA TO:	BB TO:	CC TO:	DD TO:
AA --	AA 39'-7 3/4"	AA 23'-2 3/4"	AA 45'-11 1/2"
BB --	BB --	BB 45'-11 1/2"	BB 23'-2 3/4"
CC --	CC --	CC --	CC 39'-7 3/4"
A 15'-0"	A 34'-1 1/4"	A 13'-2 1/2"	A 33'-4 1/4"
B 41'-10 1/4"	B 23'-8 1/4"	B 34'-10"	B 4'-9 3/4"
C 34'-0"	C 27'-6 1/2"	C 24'-10"	C 14'-9 3/4"
D 24'-6 1/2"	D 33'-3"	D 13'-8 3/4"	D 26'-3 3/4"
E 9'-2 1/2"	E 32'-0 3/4"	E 20'-1 3/4"	E 36'-8 3/4"
F 21'-3 1/2"	F 18'-4 1/4"	F 31'-6"	F 29'-7 1/4"
G 31'-3 1/2"	G 8'-4 1/4"	G 38'-11 1/2"	G 24'-8 1/4"
H 40'-6 1/4"	H 8'-4 1/4"	H 42'-4 1/4"	H 14'-10 1/4"
J 43'-8 1/2"	J 18'-4 1/4"	J 39'-11 1/2"	J 4'-10 1/4"
SL 24'-0"	SL 15'-7 3/4"	SL 33'-4 3/4"	SL 28'-0"
SR 33'-3 1/2"	SR 27'-10 1/4"	SR 24'-0 1/4"	SR 15'-7 3/4"
DL 13'-3"	DL 30'-10 3/4"	DL 17'-7 1/2"	DL 33'-0 1/4"
DR 20'-8 1/2"	DR 34'-8 3/4"	DR 11'-2 3/4"	DR 30'-0 3/4"

DIAGONALS

From Point "B" to:-	From Point "C" to:-
C 10'-0"	C 11'-8 1/4"
D 21'-6 3/8"	D 25'-0 7/8"
E 32'-7 7/8"	E 23'-5 7/8"
F 26'-10 3/8"	F 24'-1 1/4"
G 23'-5 5/8"	G 20'-11 7/8"
H 15'-7 1/4"	H 15'-7 1/8"
J 6'-9 7/8"	

NOTICE

SWIMMING POOLS AND ACCESSORIES (INCLUDING DIVING BOARDS) ARE DANGEROUS WHEN IMPROPERLY USED OR INSTALLED. IT IS THE RESPONSIBILITY OF MUNICIPAL OFFICIALS, BUILDERS AND POOL OWNERS TO ADHERE TO ALL SAFETY RECOMMENDATIONS AND STANDARDS ISSUED BY THE POOL & HOT TUB COUNCIL, LOCAL AUTHORITIES AND EQUIPMENT MANUFACTURERS. PLEASE REFER TO DIVING BOARD MANUFACTURERS FOR CORRECT POSITIONING AND INSTALLATION OF DIVING EQUIPMENT.



HIGHBURY POOLS LTD

MONTEGO - RIGHT 18 x 23 x 40

DRAWING REFERENCE #  
22-18-40-2

DRAWN BY: JK  
REV. 8 JUL 13  
SHEET 2 OF 2