

### MISCELLANEOUS INFORMATION

PERIMETER:-	80'-7 1/2"
SURFACE AREA:	424.4 SQ FT
VOLUME:	11785 IMP GALS 53620 L

### CONCRETE DECK INFO

WIDTH	AREA	NET INCREASES FOR:			
		STEPS	DIVING	SLIDE	ROLLER
2'	174	13	27	24	10
2'6"	222	17	31	20	10
3'	271	20	36	16	10

All Figures Represent "Sq Ft"

### PARTS LIST

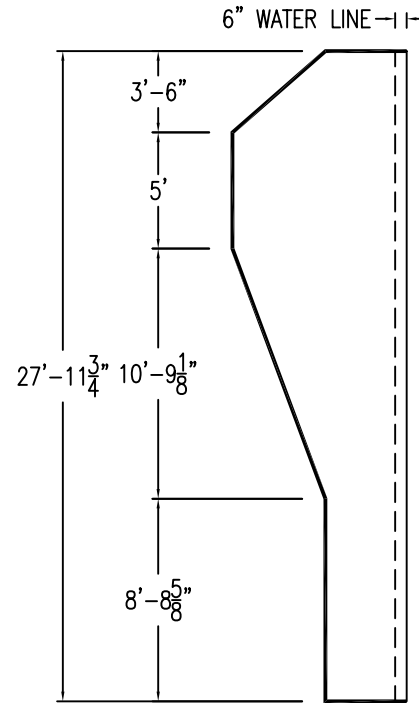
CODE	QTY	DESCRIPTION
3-s	1	3' Skimmer
8-i	1	8' Return
8R8-i	1	8' Return x 8' Radius
8R8	2	8' Plain x 8' Radius
7R8	1	7' Plain x 8' Radius
7	1	7' Plain
5	2	5' Plain
3	1	3' Plain
26	1	2'6" Plain
1	2	1' Plain
17R2	6	1'7" Plain x 2' Rad
17R2R	3	1'7" Plain x 2' Reverse Rad
AF	22	A-Frame
S	44	Stake
NB	132	Nuts & Bolts

### INSTALLATION DATA

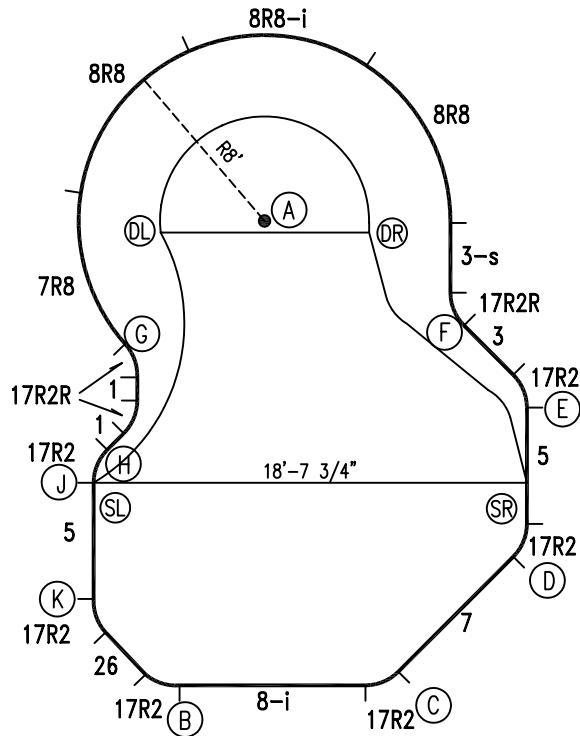
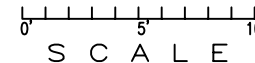
From Point "A" to:-		From Point "B" to:-	
B	20'-3 3/4"	B	9'-5 1/4"
C	20'-2 3/4"	C	15'-4 3/4"
D	17'-11 3/4"	D	15'-4 3/4"
E	13'-10 1/4"	E	19'-1 5/8"
F	9'-8 1/4"	F	19'-8 7/8"
G	8'-0"	G	14'-10 1/2"
H	11'-11 3/8"	H	10'-7 1/4"
J	13'-5 3/8"	J	9'-5 5/8"
K	17'-10 1/4"	K	5'-2 7/8"
SL	13'-5 3/8"	SL	9'-5 5/8"
SR	15'-11 3/8"	SR	17'-3 5/8"
DL	4'-5 7/8"	DL	19'-6"
DR	4'-6 3/8"	DR	21'-1 1/2"

### NOTICE

SWIMMING POOLS AND ACCESSORIES (INCLUDING DIVING BOARDS) ARE DANGEROUS WHEN IMPROPERLY USED OR INSTALLED. IT IS THE RESPONSIBILITY OF MUNICIPAL OFFICIALS, BUILDERS AND POOL OWNERS TO ADHERE TO ALL SAFETY RECOMMENDATIONS AND STANDARDS ISSUED BY THE POOL & HOT TUB COUNCIL, LOCAL AUTHORITIES AND EQUIPMENT MANUFACTURERS. PLEASE REFER TO DIVING BOARD MANUFACTURERS FOR CORRECT POSITIONING AND INSTALLATION OF DIVING EQUIPMENT.

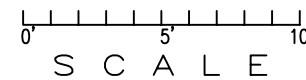
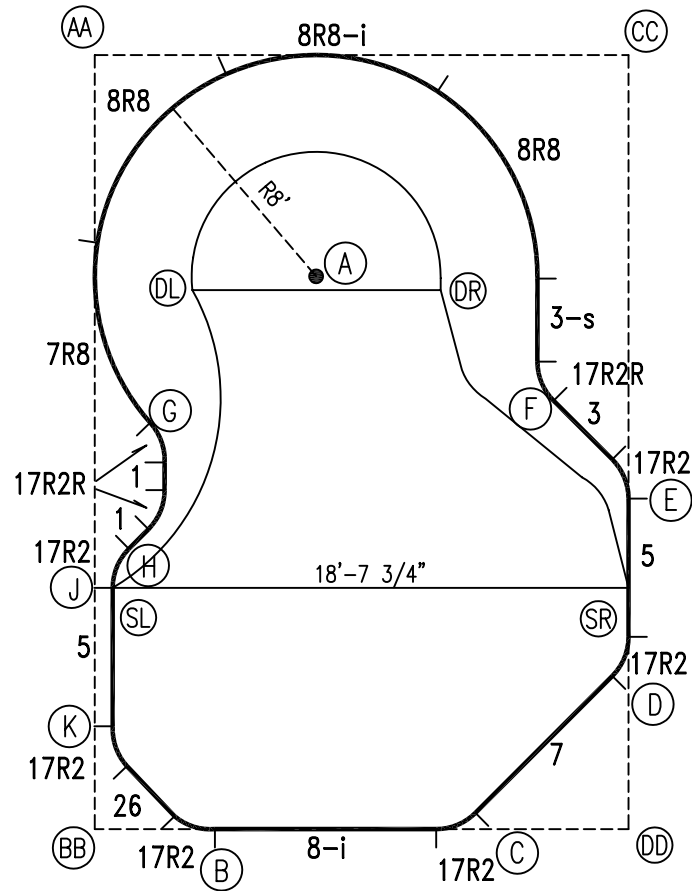


\*ALL DIMENSIONS ARE FINISHED



EXTERNAL INSTALLATION DATA

AA TO:	BB TO:	CC TO:	DD TO:
AA ---	AA 27'-11 3/4"	AA 19'-3 1/2"	AA 33'-11 7/8"
BB ---	BB ---	BB 33'-11 7/8"	BB 19'-3 1/2"
CC ---	CC ---	CC ---	CC 27'-11 3/4"
A 11'-3 3/4"	A 21'-6 1/4"	A 13'-10 1/8"	A 22'-11 1/2"
B 28'-3 7/8"	B 4'-4 1/8"	B 31'-8 3/4"	B 14'-11 3/8"
C 30'-7 7/8"	C 13'-9 1/4"	C 27'-11 3/8"	C 5'-6 3/4"
D 29'-2 5/8"	D 19'-6 1/8"	D 22'-5 1/2"	D 5'-6 3/4"
E 25'-1"	E 22'-8 3/8"	E 16'-0 3/8"	E 11'-11 3/8"
F 20'-9 1/4"	F 22'-8 1/4"	F 12'-9 1/2"	F 15'-8 5/8"
G 13'-5 1/4"	G 14'-9 7/8"	G 21'-9 3/4"	G 22'-8 1/4"
H 17'-10 3/4"	H 10'-2 1/2"	H 25'-4 3/4"	H 20'-8 1/2"
J 19'-3 1/4"	J 8'-8 7/8"	J 26'-9 3/4"	J 20'-7"
K 24'-3 1/4"	K 3'-9 1/4"	K 30'-7 1/4"	K 19'-0 1/8"
SL 19'-3 1/4"	SL 8'-8 7/8"	SL 26'-9 3/4"	SL 20'-7"
SR 27'-3 1/8"	SR 21'-2"	SR 19'-3 1/8"	SR 8'-8 5/8"
DL 9'-2 3/8"	DL 19'-9 5/8"	DL 17'-10 7/8"	DL 25'-0 3/4"
DR 15'-1 3/8"	DR 23'-1 3/4"	DR 10'-10 5/8"	DR 20'-7 5/8"



NOTICE

SWIMMING POOLS AND ACCESSORIES (INCLUDING DIVING BOARDS) ARE DANGEROUS WHEN IMPROPERLY USED OR INSTALLED. IT IS THE RESPONSIBILITY OF MUNICIPAL OFFICIALS, BUILDERS AND POOL OWNERS TO ADHERE TO ALL SAFETY RECOMMENDATIONS AND STANDARDS ISSUED BY THE POOL & HOT TUB COUNCIL, LOCAL AUTHORITIES AND EQUIPMENT MANUFACTURERS. PLEASE REFER TO DIVING BOARD MANUFACTURERS FOR CORRECT POSITIONING AND INSTALLATION OF DIVING EQUIPMENT.

HIGHBURY POOLS LTD

MONTEGO - LEFT 19 x 28

DRAWING REFERENCE #  
22-19-28-1

DRAWN BY: BC  
REV. 11 DEC 2006  
SHEET 2 OF 2