

MISCELLANEOUS INFORMATION

PERIMETER:-	110'-1 1/2"
SURFACE AREA:	731.1 SQ FT
VOLUME:	20181 IMP GALS 91826 L

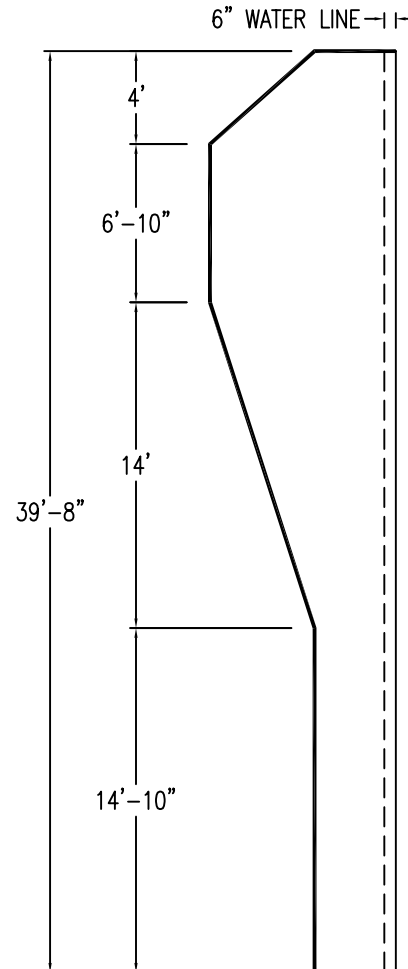
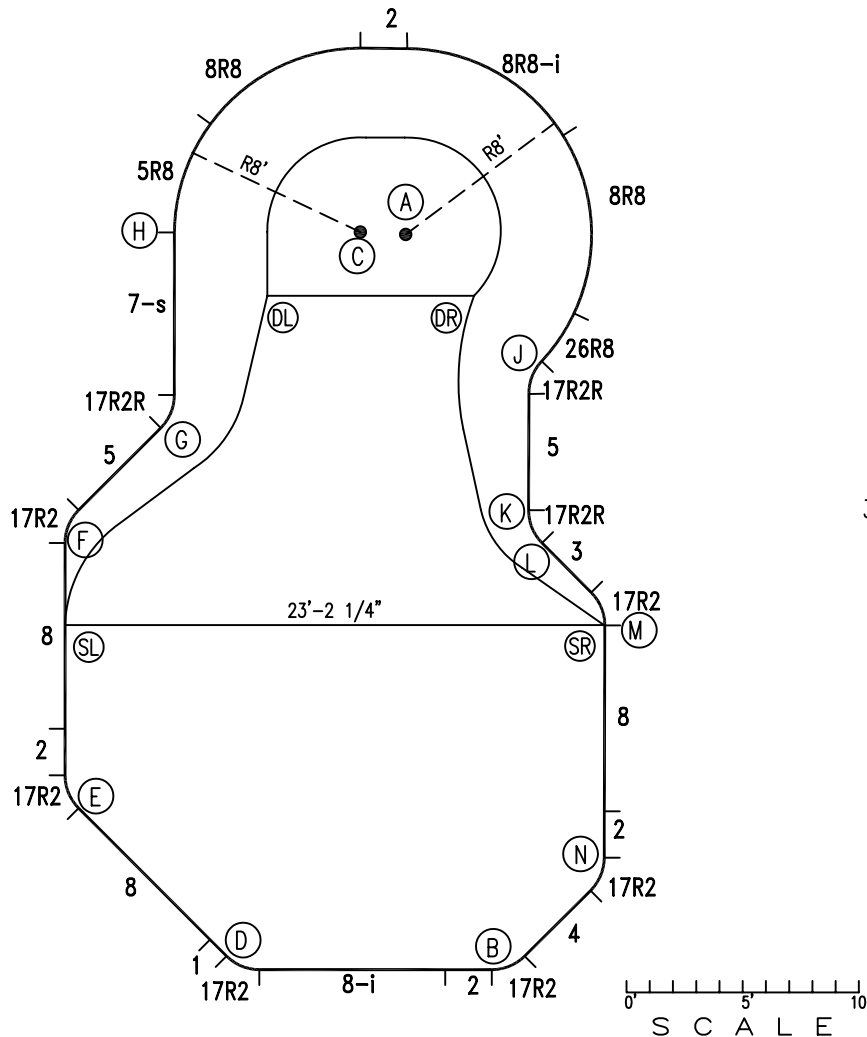
CONCRETE DECK INFO

WIDTH	AREA	NET INCREASES FOR:			
		STEPS	DIVING	SLIDE	ROLLER
2'	233	13	27	24	10
2'6"	295	17	31	20	10
3'	359	20	36	16	10

All Figures Represent "Sq Ft"

PARTS LIST

CODE	QTY	DESCRIPTION
7-s	1	7' Skimmer
8R8-i	1	8' Return x 8' Radius
8-i	1	8' Return
8R8	2	8' Plain x 8' Radius
5R8	1	5' Plain x 8' Radius
26R8	1	3' Plain x 8' Radius
17R2	6	1'7" Plain x 2' Radius
17R2R	3	1'7" Plain x 2' Reverse Rad
8	3	8' Plain
5	2	5' Plain
4	1	4' Plain
3	1	3' Plain
2	4	2' Plain
1	1	1' Plain
AF	28	A-Frame
S	56	Stake
NB	168	Nuts & Bolts



INSTALLATION DATA

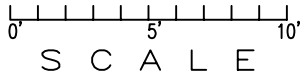
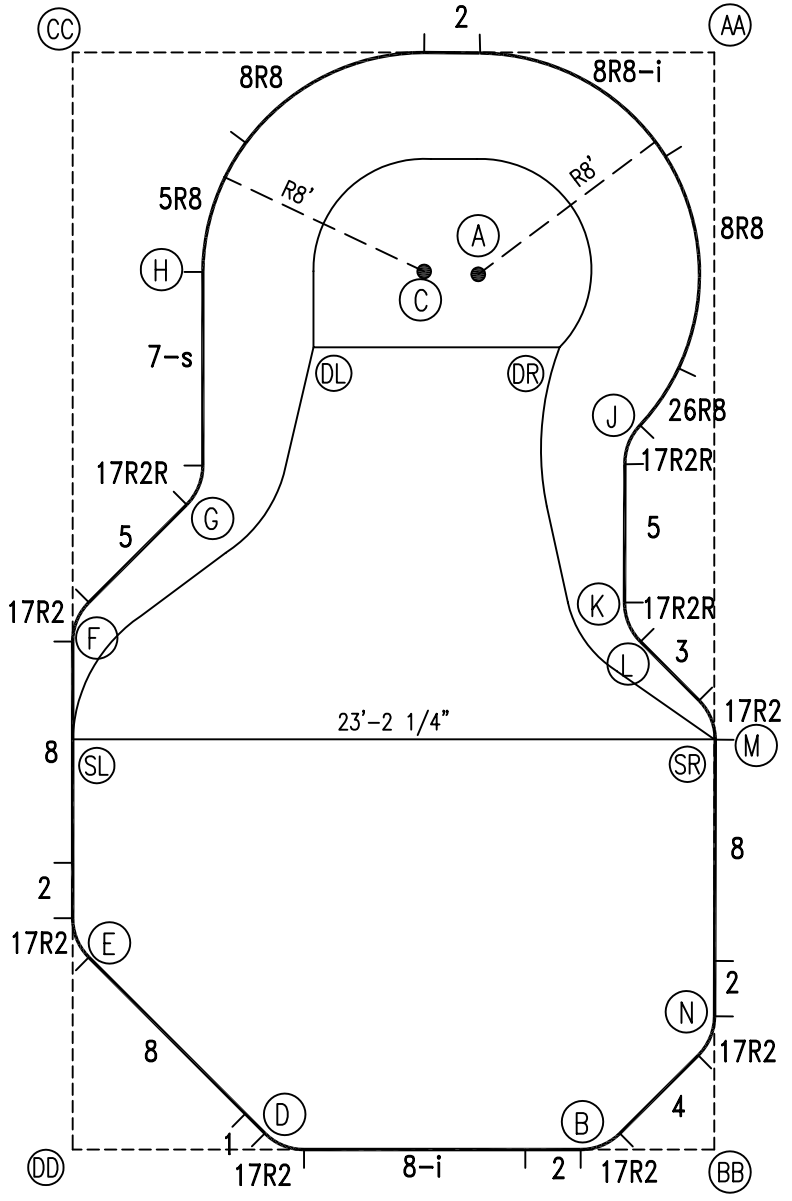
From Point "A" to:-		From Point "B" to:-	
B	31'-10 1/4"	B	32'-2 7/8"
C	1'-11 1/2"	C	32'-2 7/8"
D	32'-0"	D	11'-5 1/8"
E	28'-5"	E	19'-1"
F	19'-9 3/8"	F	25'-11 5/8"
G	13'-5 1/8"	G	27'-3 7/8"
H	9'-11 1/2"	H	34'-6 1/2"
J	8'-0"	J	26'-3 1/4"
K	12'-11 7/8"	K	19'-10"
L	14'-6 1/4"	L	18'-5 7/8"
M	18'-10 1/4"	M	15'-7 1/8"
N	28'-1 7/8"	N	6'-9 7/8"
SR	18'-10 1/4"	SR	15'-7 1/8"
SL	22'-3 3/4"	SL	23'-7 1/8"
DR	3'-11 3/8"	DR	29'-0 1/8"
DL	6'-6 1/8"	DL	30'-6 3/4"

NOTICE

SWIMMING POOLS AND ACCESSORIES (INCLUDING DIVING BOARDS) ARE DANGEROUS WHEN IMPROPERLY USED OR INSTALLED. IT IS THE RESPONSIBILITY OF MUNICIPAL OFFICIALS, BUILDERS AND POOL OWNERS TO ADHERE TO ALL SAFETY RECOMMENDATIONS AND STANDARDS ISSUED BY THE POOL & HOT TUB COUNCIL, LOCAL AUTHORITIES AND EQUIPMENT MANUFACTURERS. PLEASE REFER TO DIVING BOARD MANUFACTURERS FOR CORRECT POSITIONING AND INSTALLATION OF DIVING EQUIPMENT.

EXTERNAL INSTALLATION DATA

AA TO:	BB TO:	CC TO:	DD TO:
AA ---	AA 39'-7 7/8"	AA 23'-2 1/4"	AA 45'-11 1/4"
BB ---	BB ---	BB 45'-11 1/4"	BB 23'-2 1/4"
CC ---	CC ---	CC ---	CC 39'-7 7/8"
A 11'-8 1/2"	A 32'-9 1/4"	A 16'-8 1/2"	A 34'-10 1/2"
B 39'-11 3/8"	B 4'-9 7/8"	B 43'-8 1/2"	B 18'-4 1/2"
C 13'-1 5/8"	C 33'-5 1/8"	C 14'-11 5/8"	C 34'-2 1/4"
D 42'-3 3/4"	D 16'-3"	D 39'-8 1/4"	D 6'-11 3/4"
E 39'-9 1/8"	E 23'-7 3/4"	E 32'-8 5/8"	E 6'-11 3/4"
F 31'-5 7/8"	F 29'-6 7/8"	F 21'-3 1/2"	F 18'-4 3/8"
G 25'-1 3/8"	G 30'-1 1/2"	G 16'-10 1/4"	G 23'-8 1/8"
H 20'-1 3/8"	H 36'-8 5/8"	H 9'-2 5/8"	H 32'-0 7/8"
J 13'-8 7/8"	J 26'-3 7/8"	J 24'-6 1/2"	J 33'-3 1/8"
K 20'-1 3/4"	K 20'-0 1/2"	K 28'-1 7/8"	K 28'-1"
L 21'-5 5/8"	L 18'-6 5/8"	L 29'-6 7/8"	L 27'-6 1/2"
M 24'-10 1/8"	M 14'-9 3/4"	M 34'-0 1/8"	M 27'-6 5/8"
N 36'-3 1/8"	N 3'-5 3/8"	N 42'-8 3/4"	N 22'-10 3/8"
SR 24'-10 1/8"	SR 14'-9 3/4"	SR 34'-0 1/8"	SR 27'-6 5/8"
SL 33'-11 3/4"	SL 27'-6 3/8"	SL 24'-9 7/8"	SL 14'-9 7/8"
DR 12'-0 1/2"	DR 29'-6 3/8"	DR 20'-6 7/8"	DR 33'-11"
DL 17'-11 7/8"	DL 32'-4 7/8"	DL 13'-9 1/8"	DL 30'-3 3/8"



NOTICE

SWIMMING POOLS AND ACCESSORIES (INCLUDING DIVING BOARDS) ARE DANGEROUS WHEN IMPROPERLY USED OR INSTALLED. IT IS THE RESPONSIBILITY OF MUNICIPAL OFFICIALS, BUILDERS AND POOL OWNERS TO ADHERE TO ALL SAFETY RECOMMENDATIONS AND STANDARDS ISSUED BY THE POOL & HOT TUB COUNCIL, LOCAL AUTHORITIES AND EQUIPMENT MANUFACTURERS. PLEASE REFER TO DIVING BOARD MANUFACTURERS FOR CORRECT POSITIONING AND INSTALLATION OF DIVING EQUIPMENT.

HIGHBURY POOLS LTD

MONTEGO - RIGHT 23 x 40

DRAWING REFERENCE #
22-23-40-2

DRAWN BY: JB
REV. FEB 5 2007
SHEET 2 OF 2