

MISCELLANEOUS INFORMATION

PERIMETER:	80'6"
SURFACE AREA:	412 SQ FT
VOLUME:	13053 IMP GALS 59391 LITER

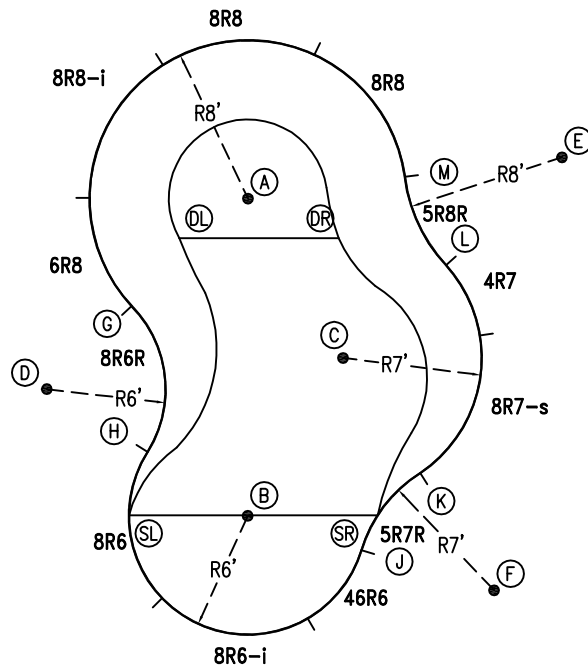
CONCRETE DECK INFO

WIDTH	AREA	NET INCREASES FOR:			
		STEPS	DIVING	SLIDE	ROLLER
2'	173	13	27	24	10
2'6"	220	17	31	20	10
3'	269	20	36	16	10

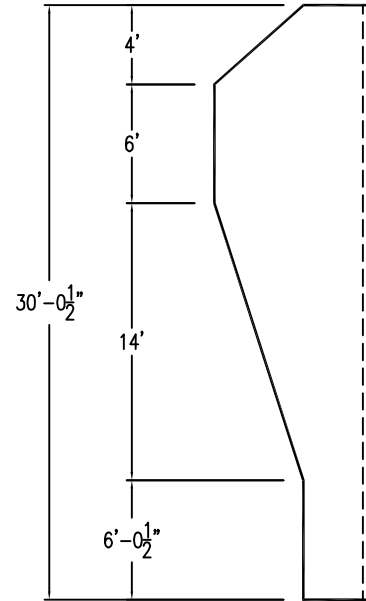
All Figures Represent "Sq Ft"

PARTS LIST

CODE	QTY	DESCRIPTION
8R8	2	8' Plain x 8' Radius
8R8-i	1	8' Return x 8' Radius
6R8	1	6' Plain x 8' Radius
8R6R	1	8' Plain x 6' Reverse Radius
8R6	1	8' Plain x 6' Radius
8R6-i	1	8' Return x 6' Radius
46R6	1	4'6" Plain x 6' Radius
5R7R	1	5' Plain x 7' Reverse Radius
8R7-s	1	8' Skimmer x 7' Radius
4R7	1	4' Plain x 7' Radius
5R8R	1	5' Plain x 8' Reverse Radius
AF	12	A-Frame
S	24	Stakes
NB	72	Nuts & Bolts



6" WATER LINE

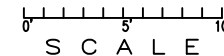


INSTALLATION DATA

From Point "A" to:-		From Point "B" to:-	
B	16'-0 1/4"	B	9'-3 3/4"
C	9'-4 1/2"	C	9'-0"
D	14'-0"	D	12'-0"
E	16'-0"	E	24'-1"
F	23'-4 1/4"	F	13'-0"
G	8'-0"	G	12'-1 1/4"
H	13'-9 1/4"	H	6'-0"
J	18'-7 3/4"	J	6'-0"
K	16'-4 1/4"	K	8'-11 3/4"
L	10'-6 1/2"	L	16'-1 3/4"
M	8'-0"	M	18'-10 1/2"
SL	17'-1"	SL	6'-0"
SR	17'-3 1/2"	SR	6'-6 3/4"
DL	4'-0"	DL	14'-5 1/4"
DR	5'-0"	DR	14'-9"

19'-9 1/2"

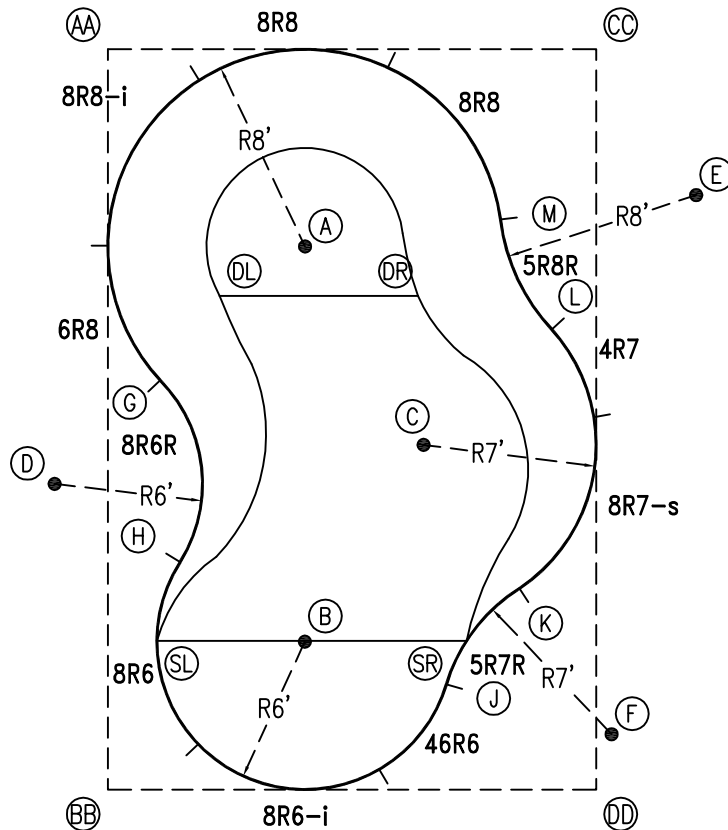
*ALL DIMENSIONS ARE FINISHED



NOTICE

SWIMMING POOLS AND ACCESSORIES (INCLUDING DIVING BOARDS) ARE DANGEROUS WHEN IMPROPERLY USED OR INSTALLED. IT IS THE RESPONSIBILITY OF MUNICIPAL OFFICIALS, BUILDERS AND POOL OWNERS TO ADHERE TO ALL SAFETY RECOMMENDATIONS AND STANDARDS ISSUED BY THE POOL & HOT TUB COUNCIL, LOCAL AUTHORITIES AND EQUIPMENT MANUFACTURERS. PLEASE REFER TO DIVING BOARD MANUFACTURERS FOR CORRECT POSITIONING AND INSTALLATION OF DIVING EQUIPMENT.

PERIMETER: 80'6"



EXTERNAL INSTALLATION DATA

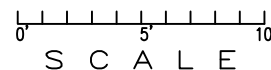
AA TO:	BB TO:	CC TO:	DD TO:
AA ---	AA 30'-0 1/4"	AA 19'-9 1/2"	AA 35'-11 1/2"
BB ---	BB ---	BB 35'-11 1/2"	BB 19'-9 1/2"
CC ---	CC ---	CC ---	CC 30'-0 1/4"
A 11'-3 3/4"	A 23'-5 1/4"	A 14'-3"	A 24'-11 3/4"
B 25'-3 3/4"	B 9'-11 3/4"	B 26'-9 1/4"	B 13'-3"
C 20'-6 1/4"	C 18'-11 1/2"	C 17'-6"	C 15'-7 1/2"
D 17'-9"	D 12'-7"	D 28'-1 3/4"	D 25'-2 3/4"
E 24'-7"	E 33'-11"	E 7'-2"	E 24'-5 1/2"
F 34'-5 3/4"	F 20'-6 1/2"	F 27'-9 1/2"	F 2'-3 3/4"
G 13'-7"	G 16'-8 3/4"	G 22'-2 1/4"	G 24'-3"
H 21'-0"	H 9'-8"	H 26'-9 1/2"	H 19'-2 3/4"
J 29'-2 1/4"	J 14'-4 1/2"	J 26'-5 1/2"	J 7'-5"
K 27'-6"	K 18'-7"	K 22'-1"	K 8'-8 3/4"
L 21'-3 1/2"	L 25'-11 1/4"	L 11'-6"	L 18'-9"
M 17'-4 1/4"	M 28'-0 3/4"	M 7'-11"	M 23'-5 1/4"
SL 24'-0 3/4"	SL 6'-4"	SL 29'-10 1/2"	SL 18'-9 3/4"
SR 28'-0 3/4"	SR 15'-8 3/4"	SR 24'-6 3/4"	SR 8'-0"
DL 10'-11 3/4"	DL 20'-6 1/2"	DL 18'-3"	DL 25'-2 1/4"
DR 16'-0 3/4"	DR 23'-7 3/4"	DR 12'-4"	DR 21'-3 1/2"

DIAGONALS

From Point "G" to:-	From Point "H" to:-
H 7'-5"	H
J 16'-11 1/4"	J 11'-10 5/8"
K 16'-10 1/8"	K 13'-9 3/4"
L 16'-0 1/4"	L 17'-9 1/2"
M 15'-3 1/8"	M 19'-0 3/8"

NOTICE

SWIMMING POOLS AND ACCESSORIES (INCLUDING DIVING BOARDS) ARE DANGEROUS WHEN IMPROPERLY USED OR INSTALLED. IT IS THE RESPONSIBILITY OF MUNICIPAL OFFICIALS, BUILDERS AND POOL OWNERS TO ADHERE TO ALL SAFETY RECOMMENDATIONS AND STANDARDS ISSUED BY THE POOL & HOT TUB COUNCIL, LOCAL AUTHORITIES AND EQUIPMENT MANUFACTURERS. PLEASE REFER TO DIVING BOARD MANUFACTURERS FOR CORRECT POSITIONING AND INSTALLATION OF DIVING EQUIPMENT.



HIGHBURY POOLS LTD

MUSKOKA - LEFT 16 x 20 x 30

DRAWING REFERENCE #
26-16-30-1

DRAWN BY: JK
REV. 10 JUL 13
SHEET 2 OF 2