

MISCELLANEOUS INFORMATION

PERIMETER:	89'6"
SURFACE AREA:	525 SQ FT
VOLUME:	15837 IMP GALS 72058 LITER

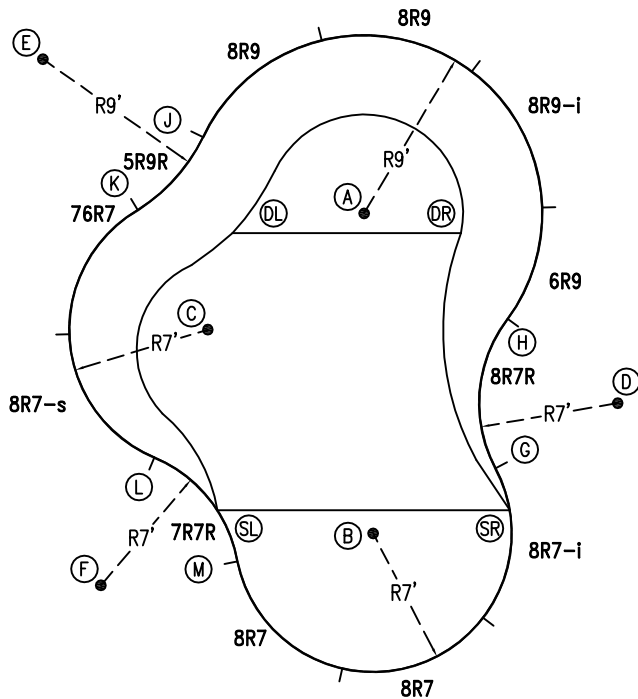
CONCRETE DECK INFO

WIDTH	AREA	NET INCREASES FOR:			
		STEPS	DIVING	SLIDE	ROLLER
2'	191	13	27	24	10
2'6"	243	17	31	20	10
3'	297	20	36	16	10

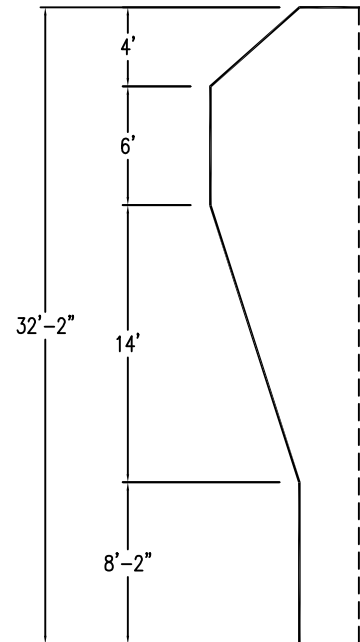
All Figures Represent "Sq Ft"

PARTS LIST

CODE	QTY	DESCRIPTION
8R9	2	8' Plain x 9' Radius
8R9-i	1	8' Return x 9' Radius
6R9	1	6' Plain x 9' Radius
8R7R	1	8' Plain x 7' Reverse Radius
8R7-i	1	8' Return x 7' Radius
8R7	2	8' Plain x 7' Radius
7R7R	1	7' Plain x 7' Reverse Radius
8R7-s	1	8' Skimmer x 7' Radius
76R7	1	7'6" Plain x 7' Radius
5R9R	1	5' Plain x 9' Reverse Radius
AF	12	A-Frame
S	24	Stakes
NB	72	Nuts & Bolts



6" WATER LINE



INSTALLATION DATA

From Point "A" to:-		From Point "B" to:-	
B	16'-2"	B	13'-3"
C	9'-10"	C	14'-0"
D	16'-0"	D	14'-0"
E	18'-0"	E	29'-2 1/4"
F	23'-0 1/4"	F	14'-0"
G	14'-5 3/4"	G	7'-0"
H	9'-0"	H	12'-9 1/2"
J	9'-0"	J	21'-9 1/4"
K	11'-5 1/4"	K	20'-2 1/4"
L	16'-3"	L	11'-8 1/4"
M	18'-8 1/4"	M	7'-0"
SL	16'-8 3/4"	SL	7'-11 1/4"
SR	16'-8 1/2"	SR	7'-0"
DL	6'-8 3/4"	DL	16'-8 3/4"
DR	5'-0"	DR	15'-9 1/2"

23'-10 1/2"

*ALL DIMENSIONS ARE FINISHED

0 5 10
SCALE

NOTICE

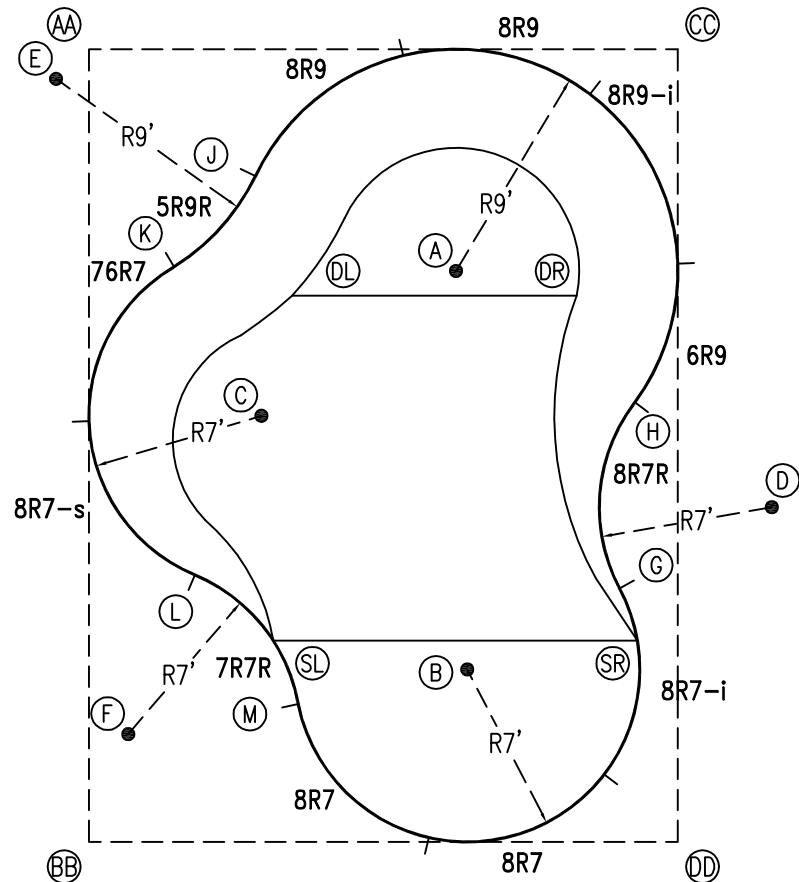
SWIMMING POOLS AND ACCESSORIES (INCLUDING DIVING BOARDS) ARE DANGEROUS WHEN IMPROPERLY USED OR INSTALLED. IT IS THE RESPONSIBILITY OF MUNICIPAL OFFICIALS, BUILDERS AND POOL OWNERS TO ADHERE TO ALL SAFETY RECOMMENDATIONS AND STANDARDS ISSUED BY THE POOL & HOT TUB COUNCIL, LOCAL AUTHORITIES AND EQUIPMENT MANUFACTURERS. PLEASE REFER TO DIVING BOARD MANUFACTURERS FOR CORRECT POSITIONING AND INSTALLATION OF DIVING EQUIPMENT.

HIGHBURY POOLS LTD

MUSKOKA - RIGHT 18 x 24 x 32

DRAWING REFERENCE #
26-18-32-2

DRAWN BY: JK
REV. 10 JUL 13
SHEET 1 OF 2



EXTERNAL INSTALLATION DATA

AA TO:	BB TO:	CC TO:	DD TO:
AA ---	AA 32'-1 3/4"	AA 23'-10 3/4"	AA 40'-0 3/4"
BB ---	BB ---	BB 40'-0 3/4"	BB 23'-10 3/4"
CC ---	CC ---	CC ---	CC 32'-1 3/4"
A 17'-4 3/4"	A 27'-6 1/2"	A 12'-8 3/4"	A 24'-10 1/4"
B 29'-5 3/4"	B 16'-10 1/2"	B 26'-6 3/4"	B 11'-0 1/2"
C 16'-5 1/4"	C 18'-7 3/4"	C 22'-6"	C 24'-2"
D 33'-4 1/4"	D 30'-10 1/4"	D 18'-11 1/2"	D 14'-1 1/4"
E 1'-9 1/2"	E 30'-11 3/4"	E 25'-3"	E 39'-11 1/4"
F 27'-10"	F 4'-7 3/4"	F 35'-7 1/2"	F 22'-8 1/2"
G 30'-8 1/4"	G 23'-10 1/4"	G 22'-0"	G 10'-6 3/4"
H 26'-4 1/2"	H 28'-5 1/4"	H 14'-5 1/4"	H 17'-11"
J 8'-5 3/4"	J 27'-10"	J 17'-10 3/4"	J 31'-11 3/4"
K 9'-5 3/4"	K 23'-6 3/4"	K 22'-3 1/4"	K 31'-0"
L 21'-9"	L 11'-7 3/4"	L 28'-11 1/2"	L 22'-4 1/2"
M 27'-10 3/4"	M 10'-2"	M 30'-8 1/2"	M 16'-4 1/2"
SL 25'-1 1/2"	SL 11'-0 3/4"	SL 29'-0 3/4"	SL 18'-3 3/4"
SR 32'-8 3/4"	SR 23'-8 1/4"	SR 24'-0 1/2"	SR 8'-3 3/4"
DL 12'-11 1/2"	DL 23'-7 3/4"	DL 18'-6 3/4"	DL 27'-1 1/2"
DR 22'-2"	DR 29'-8 1/2"	DR 10'-9 3/4"	DR 22'-6 1/2"

DIAGONALS

From Point "G" to:-	From Point "H" to:-
H 7'-6 7/8"	H
J 22'-3 3/4"	J 17'-11"
K 22'-3 3/8"	K 19'-5 3/4"
L 17'-2 7/8"	L 19'-2 1/8"
M 13'-10 1/4"	M 18'-4 1/8"

NOTICE

SWIMMING POOLS AND ACCESSORIES (INCLUDING DIVING BOARDS) ARE DANGEROUS WHEN IMPROPERLY USED OR INSTALLED. IT IS THE RESPONSIBILITY OF MUNICIPAL OFFICIALS, BUILDERS AND POOL OWNERS TO ADHERE TO ALL SAFETY RECOMMENDATIONS AND STANDARDS ISSUED BY THE POOL & HOT TUB COUNCIL, LOCAL AUTHORITIES AND EQUIPMENT MANUFACTURERS. PLEASE REFER TO DIVING BOARD MANUFACTURERS FOR CORRECT POSITIONING AND INSTALLATION OF DIVING EQUIPMENT.

