

**MISCELLANEOUS INFORMATION**

PERIMETER:	112'
SURFACE AREA:	761 SQ FT
VOLUME:	20921 IMP GALS 95191 LITER

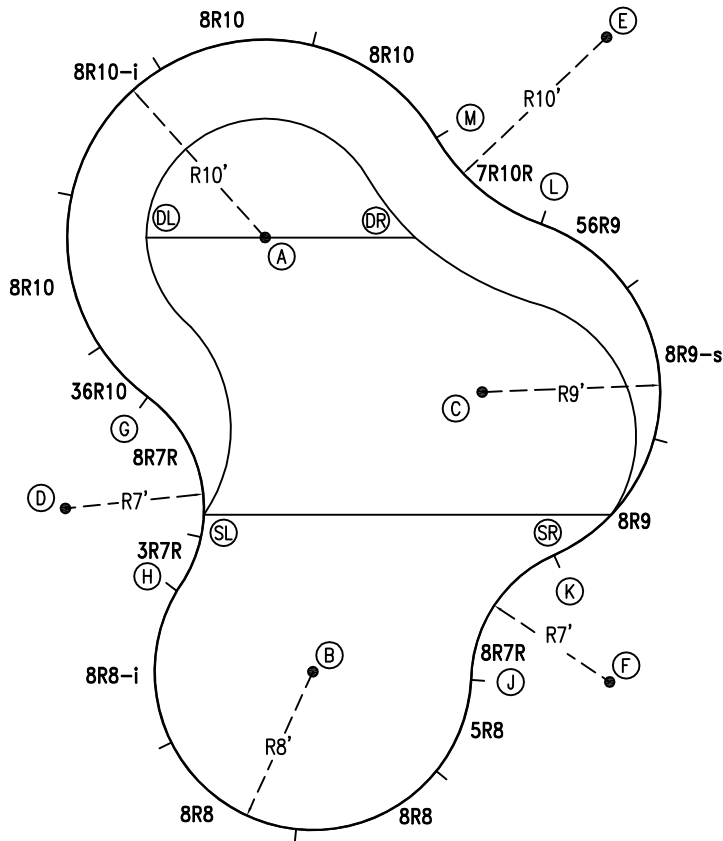
**CONCRETE DECK INFO**

WIDTH	AREA	NET INCREASES FOR:			
		STEPS	DIVING	SLIDE	ROLLER
2'	237	13	27	24	10
2'6"	300	17	31	20	10
3'	364	20	36	16	10

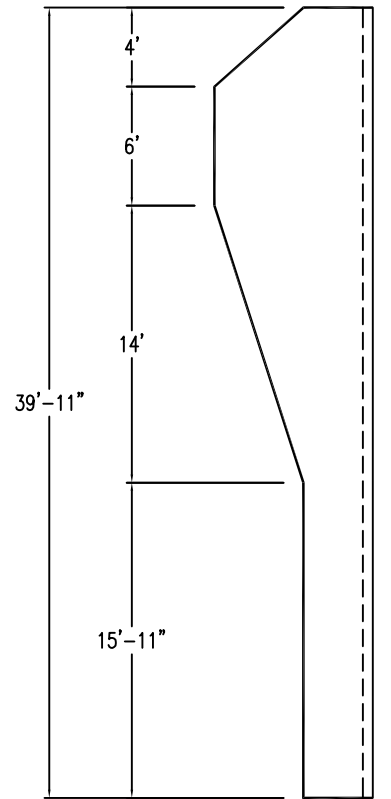
All Figures Represent "Sq Ft"

**PARTS LIST**

CODE	QTY	DESCRIPTION
8R10	3	8' Plain x 10' Radius
8R10-i	1	8' Return x 10' Radius
36R10	1	3'6" Plain x 10' Radius
8R7R	2	8' Plain x 7' Reverse Radius
3R7R	1	3' Plain x 7' Reverse Radius
8R8-i	1	8' Return x 8' Radius
8R8	2	8' Plain x 8' Radius
5R8	1	5' Plain x 8' Radius
8R9	1	8' Plain x 9' Radius
8R9-s	1	8' Skimmer x 9' Radius
56R9	1	5'6" Plain x 9' Radius
7R10R	1	7' Plain x 10' Reverse Radius
AF	16	A-Frame
S	32	Stakes
NB	96	Nuts & Bolts



6" WATER LINE



**INSTALLATION DATA**

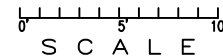
From Point "A" to:-		From Point "B" to:-	
B	22'-0 3/4"	B	16'-6"
C	13'-5 1/2"	C	14'-11 3/4"
D	17'-0"	D	14'-11 3/4"
E	20'-0"	E	35'-3 3/4"
F	28'-4 3/4"	F	15'-0"
G	10'-0"	G	16'-2 1/4"
H	18'-4 3/4"	H	8'-0"
J	24'-7 3/4"	J	8'-0"
K	21'-8 1/4"	K	13'-6 1/4"
L	13'-11 1/2"	L	25'-4 1/2"
M	10'-0"	M	27'-8"
SL	14'-4"	SL	9'-7 3/4"
SR	22'-4 3/4"	SR	17'-0 1/4"
DL	6'-0"	DL	23'-5 3/4"
DR	7'-6 3/4"	DR	22'-6 1/4"

**NOTICE**

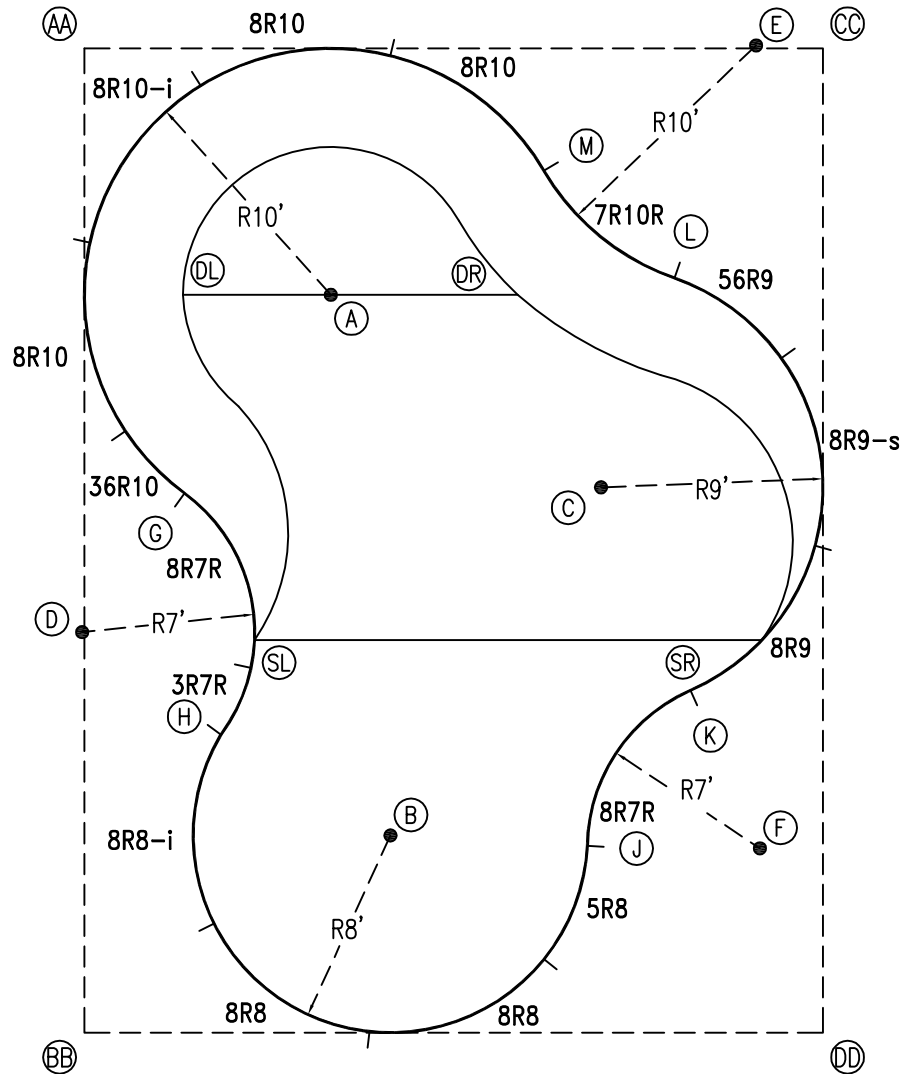
SWIMMING POOLS AND ACCESSORIES (INCLUDING DIVING BOARDS) ARE DANGEROUS WHEN IMPROPERLY USED OR INSTALLED. IT IS THE RESPONSIBILITY OF MUNICIPAL OFFICIALS, BUILDERS AND POOL OWNERS TO ADHERE TO ALL SAFETY RECOMMENDATIONS AND STANDARDS ISSUED BY THE POOL & HOT TUB COUNCIL, LOCAL AUTHORITIES AND EQUIPMENT MANUFACTURERS. PLEASE REFER TO DIVING BOARD MANUFACTURERS FOR CORRECT POSITIONING AND INSTALLATION OF DIVING EQUIPMENT.

29'-11 1/2"

\*ALL DIMENSIONS ARE FINISHED



PERIMETER: 112'



EXTERNAL INSTALLATION DATA

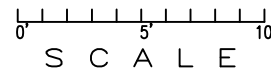
AA TO:	BB TO:	CC TO:	DD TO:
AA ---	AA 39'-11"	AA 29'-11 1/2"	AA 49'-11"
BB ---	BB ---	BB 49'-11"	BB 29'-11 1/2"
CC ---	CC ---	CC ---	CC 39'-11"
A 14'-1 3/4"	A 31'-6 3/4"	A 22'-3 3/4"	A 35'-11 3/4"
B 34'-3"	B 14'-9 1/4"	B 36'-5 1/4"	B 19'-3 1/4"
C 27'-6"	C 30'-5 3/4"	C 19'-11 1/2"	C 23'-10 1/2"
D 23'-8 1/4"	D 16'-2 3/4"	D 38'-3"	D 34'-1 3/4"
E 27'-3"	E 48'-5 1/4"	E 2'-8 1/2"	E 40'-1 3/4"
F 42'-5 3/4"	F 28'-4 3/4"	F 32'-6 1/2"	F 7'-10 3/4"
G 18'-6"	G 22'-3"	G 31'-6 3/4"	G 33'-10 3/4"
H 28'-4 3/4"	H 13'-3 1/2"	H 37'-0 1/2"	H 27'-2 3/4"
J 38'-3"	J 21'-9 1/4"	J 33'-8 3/4"	J 12'-2 1/4"
K 35'-9 3/4"	K 28'-2 3/4"	K 26'-7"	K 14'-10 1/2"
L 25'-8 1/4"	L 38'-10 1/4"	L 11'-1"	L 31'-2 1/4"
M 19'-3 1/2"	M 39'-7 1/2"	M 12'-4 1/4"	M 36'-9"
SL 24'-11 1/2"	SL 17'-4 1/4"	SL 33'-3 1/4"	SL 28'-0 1/4"
SR 36'-5 3/4"	SR 31'-9 1/4"	SR 24'-1 1/2"	SR 16'-1 1/2"
DL 10'-9 1/4"	DL 30'-2 1/4"	DL 27'-9 3/4"	DL 39'-7 1/2"
DR 20'-2 1/2"	DR 34'-8 1/2"	DR 15'-11"	DR 32'-4 3/4"

DIAGONALS

From Point "G" to:-	From Point "H" to:-
H 9'-10 7/8"	H 15'-6 3/8"
J 21'-8 1/2"	K 19'-1 5/8"
K 22'-0 1/4"	L 26'-1 3/8"
L 21'-8 1/2"	M 26'-4 3/8"
M 19'-7"	

NOTICE

SWIMMING POOLS AND ACCESSORIES (INCLUDING DIVING BOARDS) ARE DANGEROUS WHEN IMPROPERLY USED OR INSTALLED. IT IS THE RESPONSIBILITY OF MUNICIPAL OFFICIALS, BUILDERS AND POOL OWNERS TO ADHERE TO ALL SAFETY RECOMMENDATIONS AND STANDARDS ISSUED BY THE POOL & HOT TUB COUNCIL, LOCAL AUTHORITIES AND EQUIPMENT MANUFACTURERS. PLEASE REFER TO DIVING BOARD MANUFACTURERS FOR CORRECT POSITIONING AND INSTALLATION OF DIVING EQUIPMENT.



HIGHBURY POOLS LTD

MUSKOKA - LEFT 20 x 30 x 40

DRAWING REFERENCE #  
26-20-40-1

DRAWN BY: JK  
REV. 10 JUL 13  
SHEET 2 OF 2